

**Maine Maritime Academy
Castine, Maine**

**Pier Upgrades and Waterfront Improvements Project
March 15, 2024
ADDENDUM NO. 5**

Prospective bidders and all concerned are hereby advised of the following changes/modifications in the Maine Maritime Academy Waterfront Campus Pier Upgrades and Waterfront Improvements Issued-for-Bidding Drawings and Project Manual dated January 26, 2024 and are hereby requested to change their copies accordingly.

Addendum No. 5 consists of 8 re-issued IFB Drawing Sheets for a total of 9 pages, including this cover sheet. Subsequent addendum will address the outstanding bidder questions and revisions to the IFB Drawing Set and the IFB Project Manual.

Submit written questions during the bid phase via email to Jake Jacobs with cc to Cheryl Coviello.

Jake.Jacobs@collierseng.com

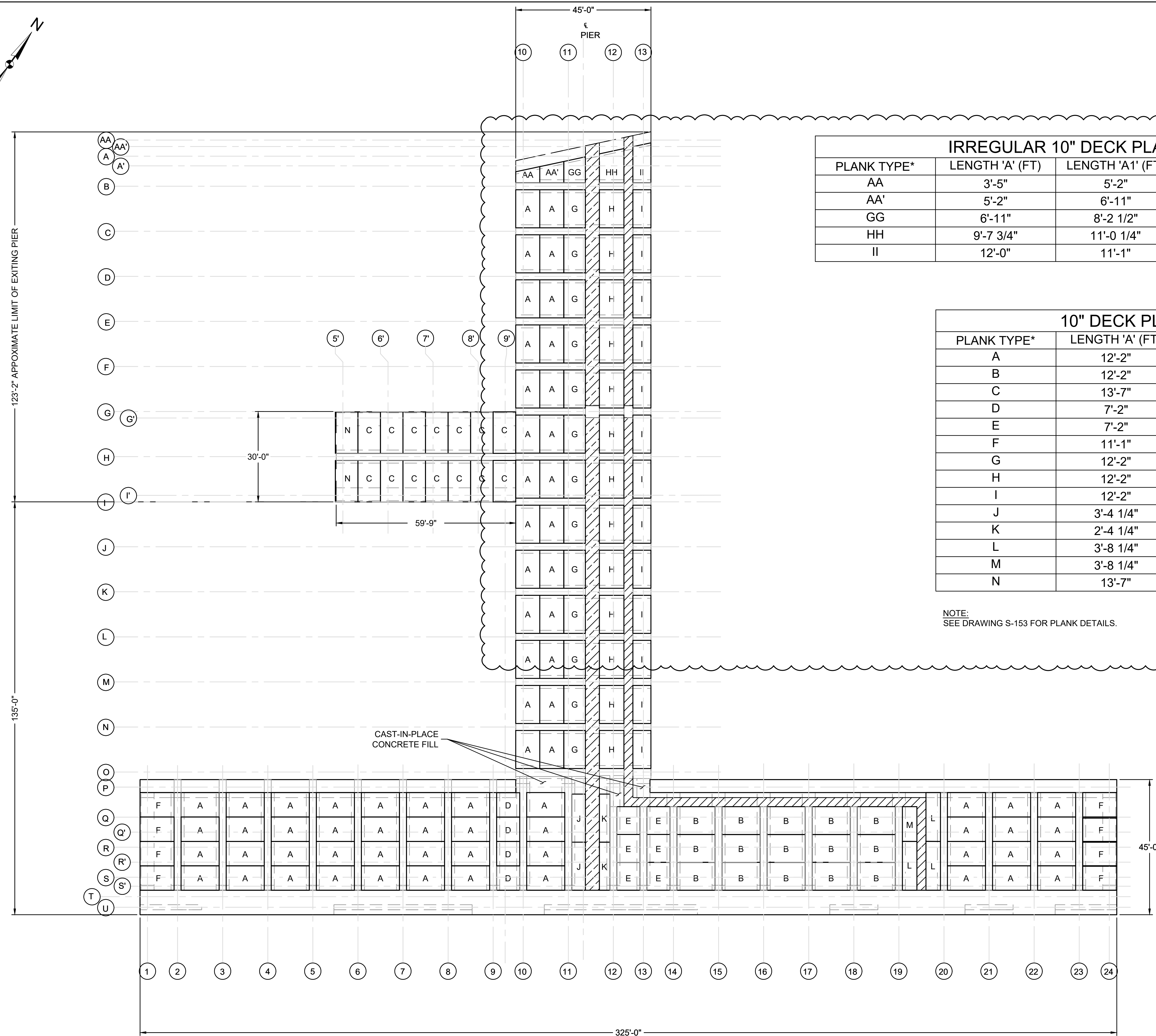
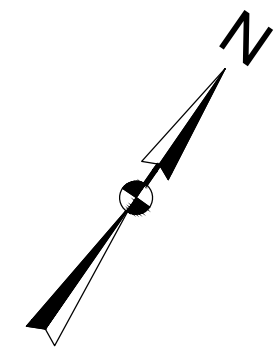
Cheryl.Coviello@gza.com

Make the following changes to the Bidding Documents, Project Manual and Specifications:

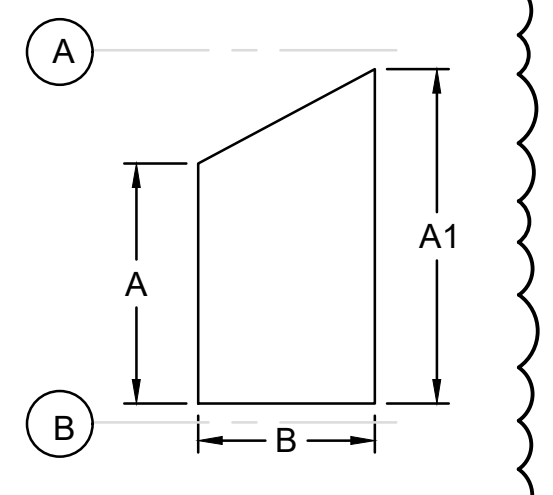
REVISIONS TO IFB DRAWINGS

REPLACE the following IFB Drawing Sheets with the attached. See each re-issued drawing sheet for revisions.

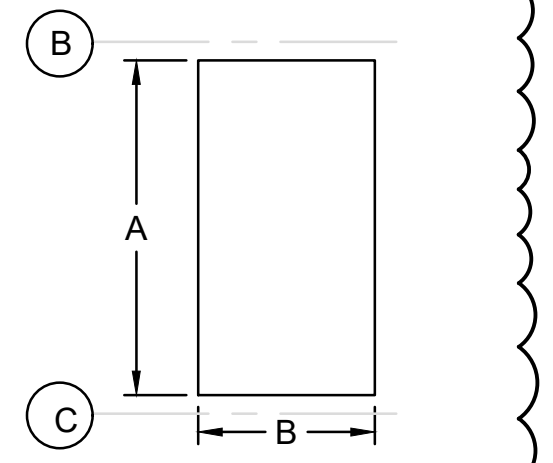
1. G-002 rev 3 Drawing Sheet Index
2. S-116 rev 2 Pier Deck Plank Plan
3. S-123 rev 1 Pier Sections – 3 Section D – Type 4A Cap
4. S-124 rev 1 Pier Sections – 3 Section E – Type 4B Cap
5. S-132 rev 2 Pier Pile Details
6. S-143 rev 1 Pier Pile Cap Details – Type 2A & 2D
7. S-153 rev 1 Pre-Cast Deck Plank Details
8. S-160 rev 1 Brow Plan, Sections and Details



IRREGULAR 10" DECK PLANK SCHEDULE				
PLANK TYPE*	LENGTH 'A' (FT)	LENGTH 'A1' (FT)	WIDTH 'B' (FT)	QUANTITY
AA	3'-5"	5'-2"	8'-1 1/2"	1
AA'	5'-2"	6'-11"	8'-1 1/2"	1
GG	6'-11"	8'-2 1/2"	6'-0 1/4"	1
HH	9'-7 3/4"	11'-0 1/4"	6'-4 1/2"	1
II	12'-0"	11'-1"	5'-1 1/4"	1



10" DECK PLANK SCHEDULE			
PLANK TYPE*	LENGTH 'A' (FT)	WIDTH 'B' (FT)	QUANTITY
A	12'-2"	8'-1 1/2"	74
B	12'-2"	8'-11 3/4"	15
C	13'-7"	7'-6"	14
D	7'-2"	8'-1 1/2"	4
E	7'-2"	8'-11 3/4"	6
F	11'-1"	8'-1 1/2"	8
G	12'-2"	6'-0 1/4"	13
H	12'-2"	6'-4 1/2"	13
I	12'-2"	5'-1 1/4"	13
J	3'-4 1/4"	16'-3"	2
K	2'-4 1/4"	16'-3"	2
L	3'-8 1/4"	16'-3"	3
M	3'-8 1/4"	10'-8 1/4"	1
N	13'-7"	7'-6"	2



NOTE:
SEE DRAWING S-153 FOR PLANK DETAILS.

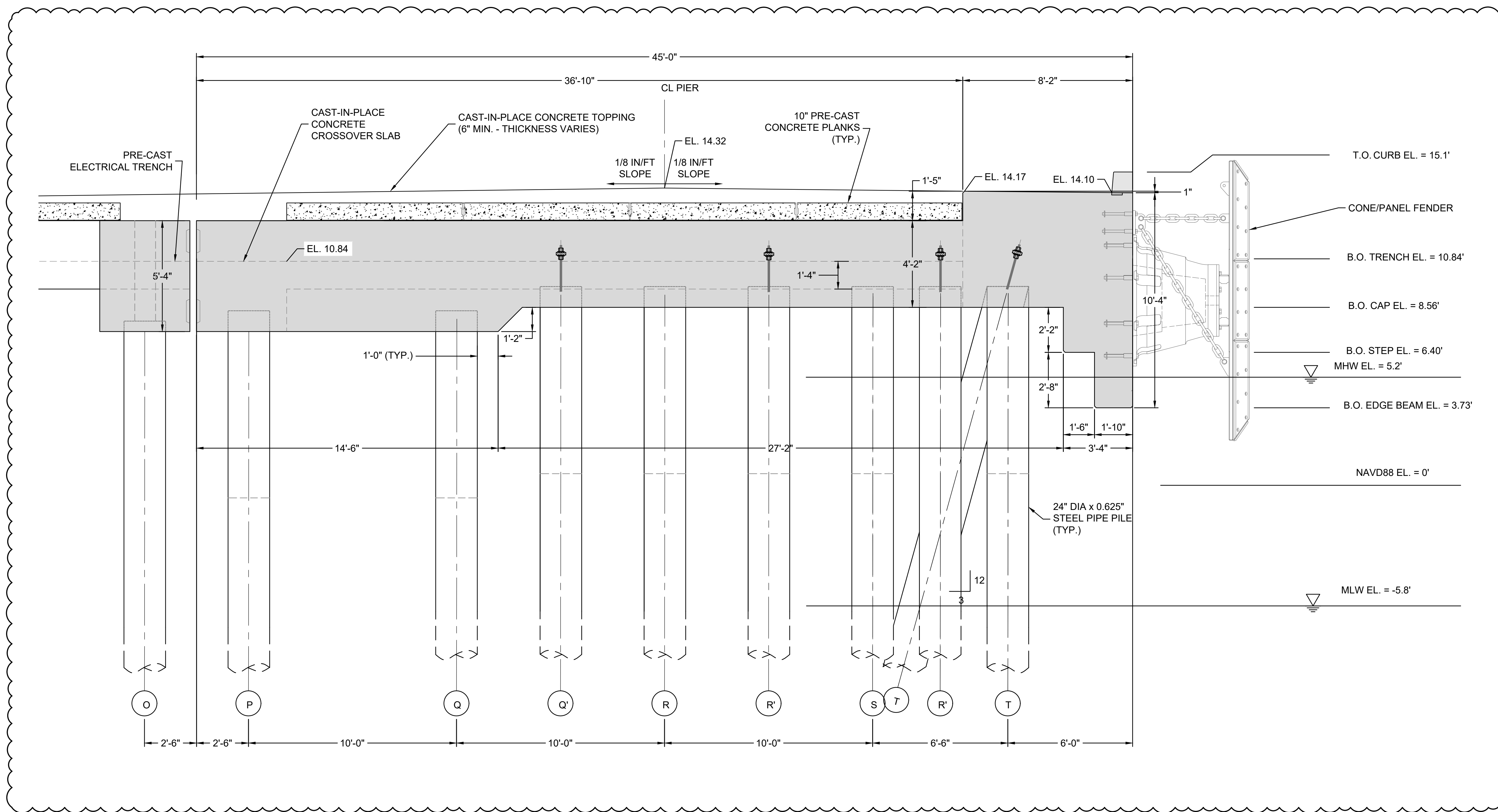
LEGEND	
	PRE-CAST CONCRETE
	ELECTRICAL TRENCH
	MECHANICAL TRENCH

I.F.B.
 NOT FOR CONSTRUCTION
 JANUARY 26, 2024

2	ADDENDUM #5	DDF	3/15/2024
1	ADDENDUM #4	DDF	3/8/2024
NO.	ISSUE/DESCRIPTION	BY	DATE
<small>UNLESS SPECIFICALLY STATED BY WRITTEN AGREEMENT, THIS DRAWING IS THE SOLE PROPERTY OF GZA GEOENVIRONMENTAL, INC. (GZA). THE INFORMATION SHOWN ON THE DRAWING IS SOLELY FOR USE BY GZA'S CLIENT OR THE CLIENT'S DESIGNATED REPRESENTATIVE FOR THE SPECIFIC PROJECT AND LOCATION IDENTIFIED ON THE DRAWING. THE DRAWING SHALL NOT BE TRANSFERRED, REUSED, COPIED, OR ALTERED IN ANY MANNER FOR USE AT ANY OTHER LOCATION OR FOR ANY OTHER PURPOSE WITHOUT THE PRIOR WRITTEN CONSENT OF GZA. ANY TRANSFER, REUSE, OR MODIFICATION TO THE DRAWING BY THE CLIENT OR OTHERS, WITHOUT THE PRIOR WRITTEN EXPRESS CONSENT OF GZA, WILL BE AT THE USER'S SOLE RISK AND WITHOUT ANY RISK OR LIABILITY TO GZA.</small>			
MAINE MARITIME ACADEMY WATERFRONT CAMPUS PIER UPGRADES AND WATERFRONT IMPROVEMENTS CASTINE, MAINE			
PIER DECK PLANK PLAN			
PREPARED BY:	GZA GeoEnvironmental, Inc. www.gza.com		PREPARED FOR: MAINE MARITIME ACADEMY CASTINE, ME
PROJ MGR: RKC	DESIGNED BY: MAR	REVIEWED BY: CWC	CHECKED BY: DDF
DATE: JANUARY 2024	DRAWN BY: BDW	SCALE: AS NOTED	REVISION NO.
	PROJECT NO. 03.0035109.00		
			S-116 SHEET NO. 45 OF 142

© 2024 - GZA GeoEnvironmental, Inc. WATERFRONT IMPROVEMENTS_ADD_2024-02-29.DWG S-116 PLANK PLAN March 15, 2024 MICHAEL ASBEN

PIER DECK PLANK PLAN
 1/16" = 1'-0"



D SECTION: TYPE 4A PILE CAP (C.I.P.)
 5-1133-123 3/8" = 1'-0"

1

I.F.B.
 NOT FOR CONSTRUCTION
 JANUARY 26, 2024

ADDENDUM #5		DDF	3/15/2024
NO.	ISSUE/DESCRIPTION	BY	DATE
1			

UNLESS SPECIFICALLY STATED BY WRITTEN AGREEMENT, THIS DRAWING IS THE SOLE PROPERTY OF GZA GEOENVIRONMENTAL, INC. (GZA). THE INFORMATION SHOWN ON THE DRAWING IS SOLELY FOR USE BY GZA'S CLIENT OR THE CLIENT'S DESIGNATED REPRESENTATIVE FOR THE SPECIFIC PROJECT AND LOCATION IDENTIFIED ON THE DRAWING. THE DRAWING SHALL NOT BE TRANSFERRED, REUSED, COPIED, OR ALTERED IN ANY MANNER FOR USE AT ANY OTHER LOCATION OR FOR ANY OTHER PURPOSE WITHOUT THE PRIOR WRITTEN CONSENT OF GZA. ANY TRANSFER, REUSE, OR MODIFICATION TO THE DRAWING BY THE CLIENT OR OTHERS, WITHOUT THE PRIOR WRITTEN EXPRESS CONSENT OF GZA, WILL BE AT THE USER'S SOLE RISK AND WITHOUT ANY RISK OR LIABILITY TO GZA.

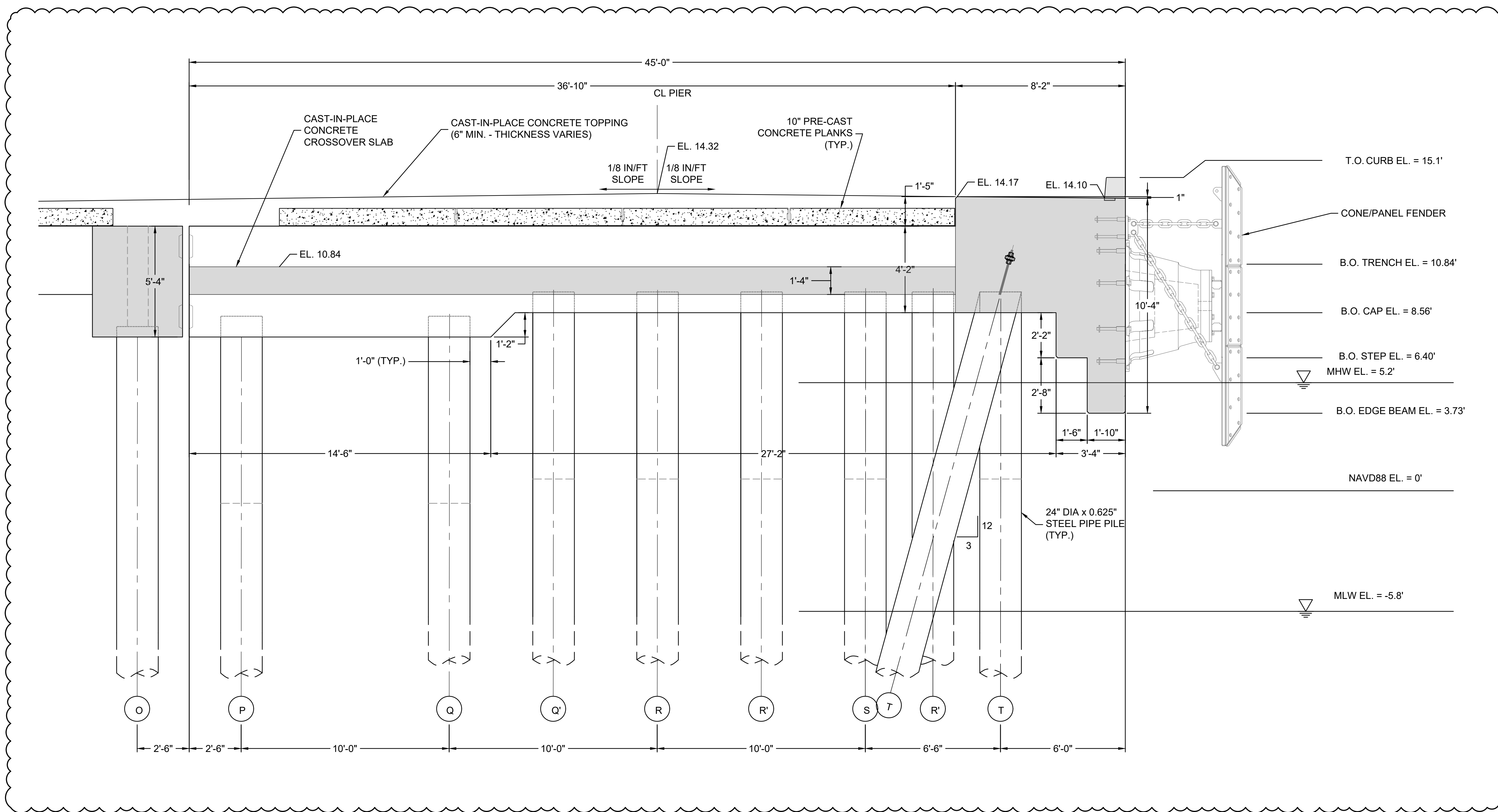
MAINE MARITIME ACADEMY WATERFRONT CAMPUS
 PIER UPGRADES AND WATERFRONT IMPROVEMENTS
 CASTINE, MAINE

PIER SECTIONS - 3
 SECTION D - TYPE 4A CAP

PREPARED BY: GZA GeoEnvironmental, Inc. www.gza.com	PREPARED FOR: MAINE MARITIME ACADEMY CASTINE, ME
PROJ MGR: RKC DESIGNED BY: MAR DATE: JANUARY 2024	REVIEWED BY: DRAWN BY: BDW PROJECT NO. 03.0035109.00 REVISION NO.
CHECKED BY: SCALE: REVISION NO.	

S-123
 SHEET NO. 52 OF 142

© 2024 - GZA GeoEnvironmental, Inc.
 GZA is a U.S. GEOLOGICAL SURVEY (USGS) VENDOR. GZA IS AN EQUAL OPPORTUNITY AND AFFIRMATIVE ACTION EMPLOYER.
 WATERFRONT IMPROVEMENTS_ADD_2024-02-28.DWG 5-123 SECT. D (TYPE 4A) March 15, 2024 MICHAEL AUBIN



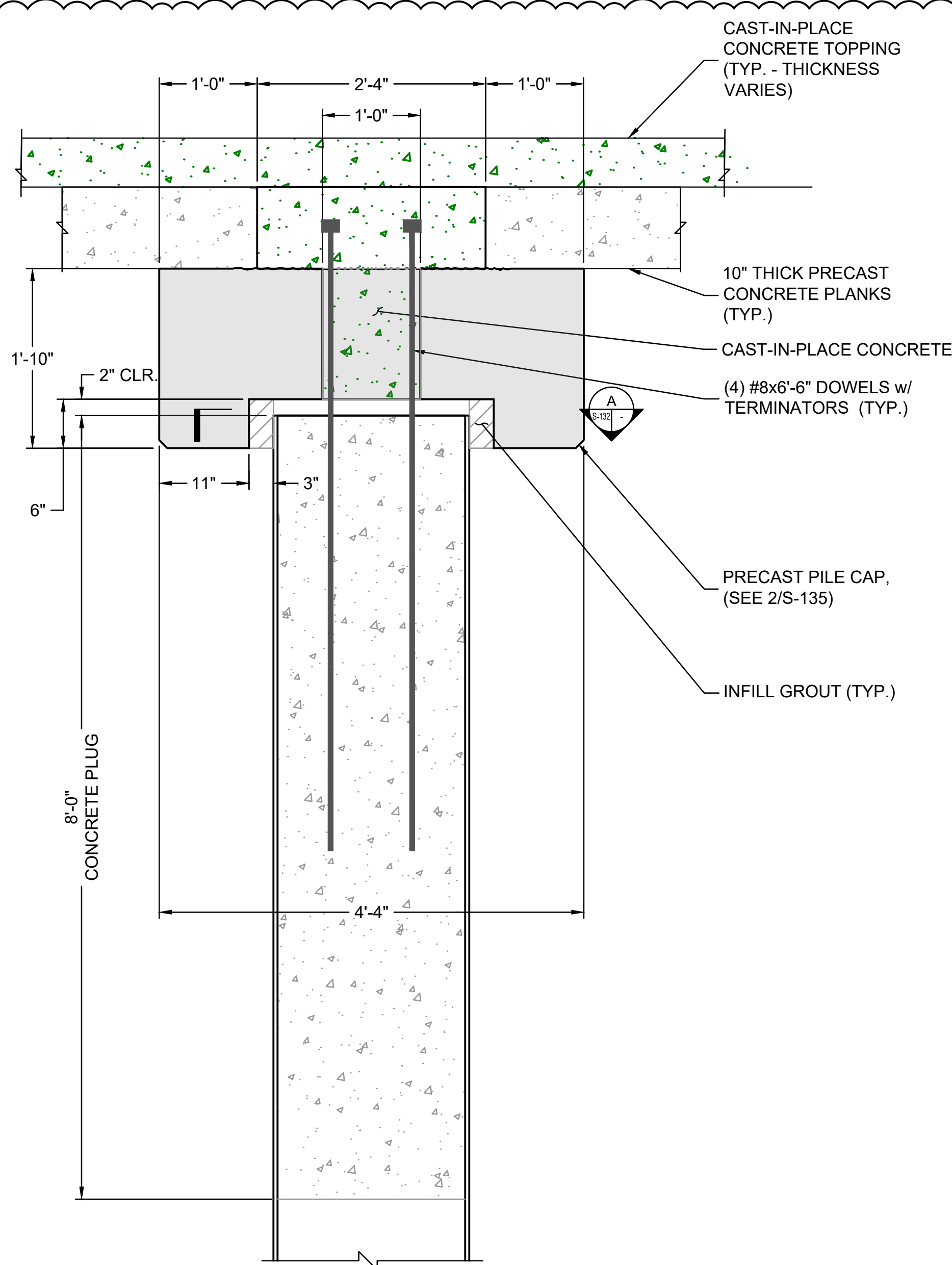
E SECTION: TYPE 4B PILE CAP (C.I.P.)
 5-1135-124 3/8" = 1'-0"

1

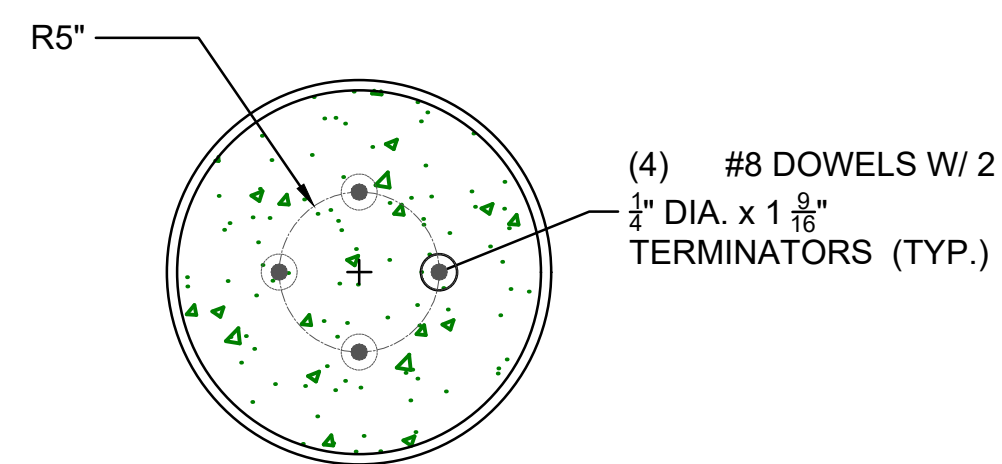
I.F.B.
 NOT FOR CONSTRUCTION
 JANUARY 26, 2024

NO.	ADDENDUM #5	DDF	3/15/2024
1	ADDENDUM #5	DDF	3/15/2024
NO.	ISSUE/DESCRIPTION	BY	DATE
<small>UNLESS SPECIFICALLY STATED BY WRITTEN AGREEMENT, THIS DRAWING IS THE SOLE PROPERTY OF GZA GEOTECHNICAL, INC. (GZA). THE INFORMATION SHOWN ON THE DRAWING IS SOLELY FOR USE BY GZA'S CLIENT OR THE CLIENT'S DESIGNATED REPRESENTATIVE FOR THE SPECIFIC PROJECT AND LOCATION IDENTIFIED ON THE DRAWING. THE DRAWING SHALL NOT BE TRANSFERRED, REUSED, COPIED, OR ALTERED IN ANY MANNER FOR USE AT ANY OTHER LOCATION OR FOR ANY OTHER PURPOSE WITHOUT THE PRIOR WRITTEN CONSENT OF GZA. ANY TRANSFER, REUSE, OR MODIFICATION TO THE DRAWING BY THE CLIENT OR OTHERS, WITHOUT THE PRIOR WRITTEN EXPRESS CONSENT OF GZA, WILL BE AT THE USER'S SOLE RISK AND WITHOUT ANY RISK OR LIABILITY TO GZA.</small>			
MAINE MARITIME ACADEMY WATERFRONT CAMPUS PIER UPGRADES AND WATERFRONT IMPROVEMENTS CASTINE, MAINE			
PIER SECTIONS - 3 SECTION E - TYPE 4B CAP			
<small>PREPARED BY:</small> GZA GeoEnvironmental, Inc. <small>www.gza.com</small>		<small>PREPARED FOR:</small> MAINE MARITIME ACADEMY CASTINE, ME	
<small>PROJ MGR:</small> RKC <small>DESIGNED BY:</small> MAR <small>DATE:</small> JANUARY 2024	<small>REVIEWED BY:</small> <small>DRAWN BY:</small> BDW <small>PROJECT NO.:</small> 03.0035109.00	<small>CHECKED BY:</small> <small>SCALE:</small> <small>REVISION NO.:</small>	DRAWING S-124 <small>SHEET NO. 53 OF 142</small>

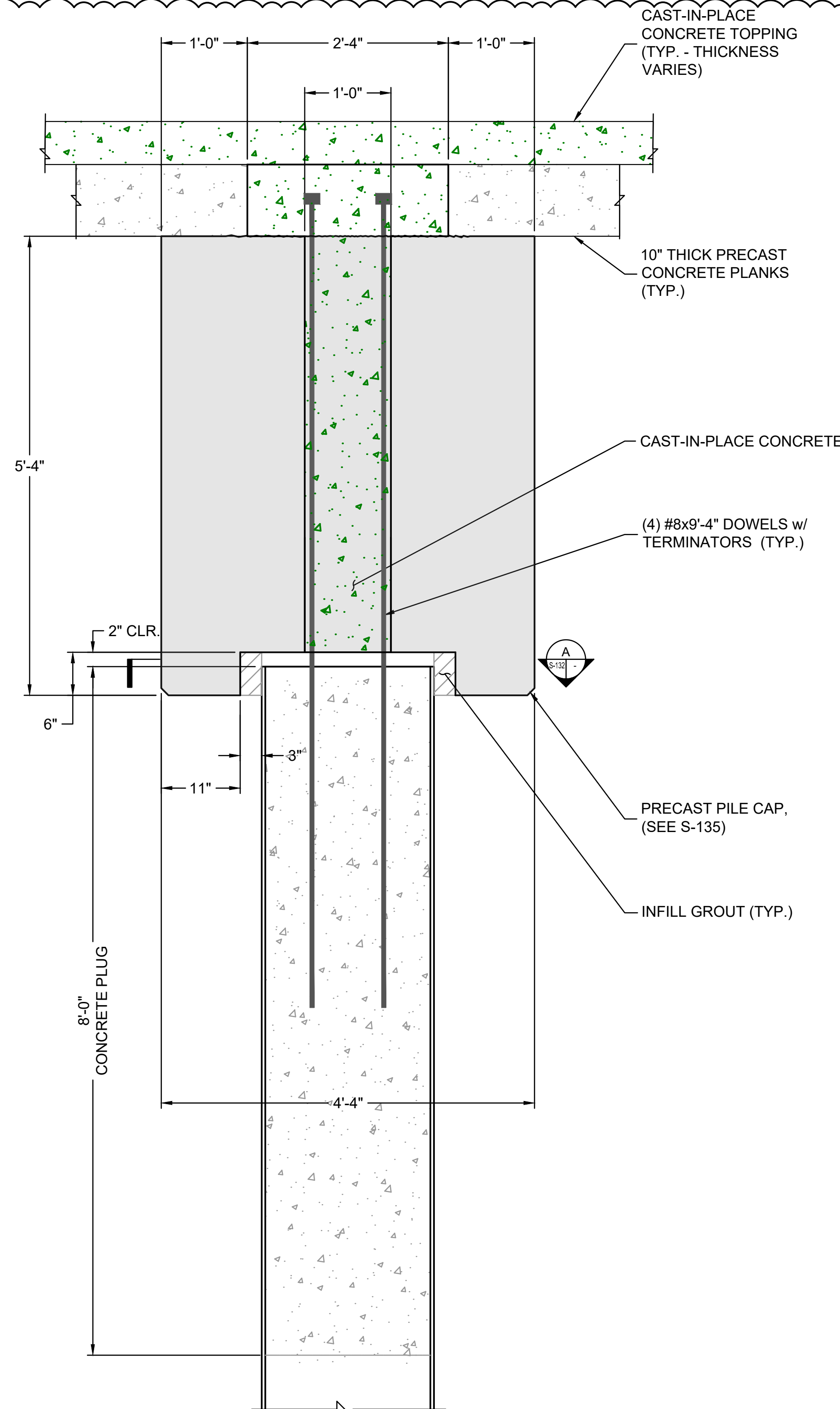
© 2024 - GZA GeoEnvironmental, Inc.
 GZA is a GSO. ALL RIGHTS RESERVED. DRAWINGS FROM SRV.MAN - WATERFRONT IMPROVEMENTS_ADD_2024-02-28.DWG 9:124 SECT. E (TYPE 4B) March 15, 2024 MICHAEL AUBIN



1 DETAIL: PLUMB STEEL PILE CONNECTION TO PLANK (SHALLOW)
S-120/S-132 SCALE: 1" = 1'-0"



A DETAIL: PILE CONNECTION TO PLANK
S-132 SCALE: 1" = 1'-0"



2 DETAIL: PLUMB STEEL PILE CONNECTION TO PLANK (DEEP)
S-120/S-132 SCALE: 1" = 1'-0"

I.F.B.
NOT FOR CONSTRUCTION
JANUARY 26, 2024

NO.	ADDENDUM #/ISSUE/DESCRIPTION	DDF BY	DATE
1		DDF	3/8/2024

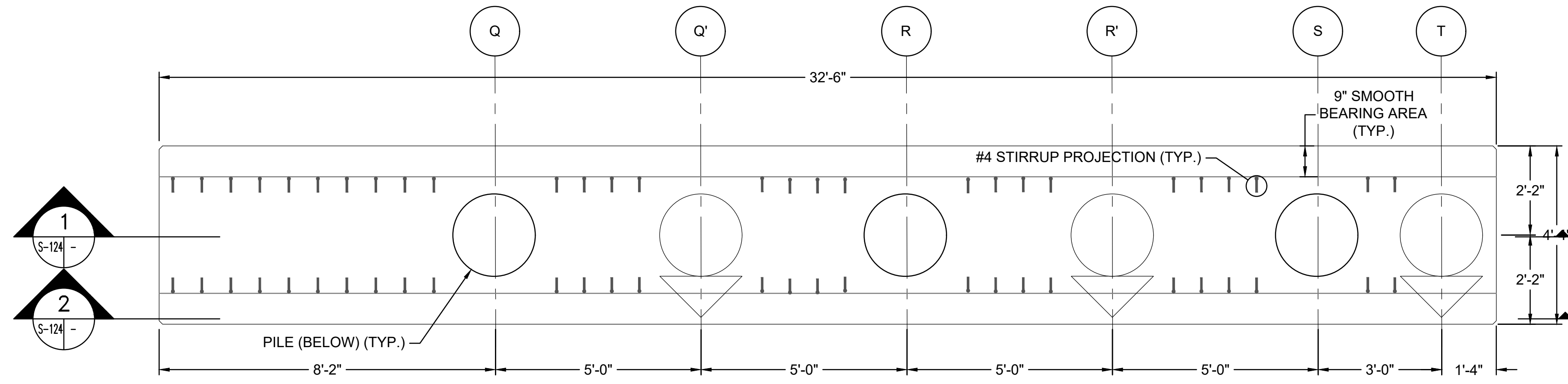
UNLESS SPECIFICALLY STATED BY WRITTEN AGREEMENT, THIS DRAWING IS THE SOLE PROPERTY OF GZA GEOENVIRONMENTAL, INC. (GZA). THE INFORMATION SHOWN ON THE DRAWING IS SOLELY FOR USE BY GZA'S CLIENT OR THE CLIENT'S DESIGNATED REPRESENTATIVE FOR THE SPECIFIC PROJECT AND LOCATION IDENTIFIED ON THE DRAWING. THE DRAWING SHALL NOT BE TRANSFERRED, REUSED, COPIED, OR ALTERED IN ANY MANNER FOR USE AT ANY OTHER LOCATION OR FOR ANY OTHER PURPOSE WITHOUT THE PRIOR WRITTEN CONSENT OF GZA. ANY TRANSFER, REUSE, OR MODIFICATION TO THE DRAWING BY THE CLIENT OR OTHERS, WITHOUT THE PRIOR WRITTEN EXPRESS CONSENT OF GZA, WILL BE AT THE USER'S SOLE RISK AND WITHOUT ANY RISK OR LIABILITY TO GZA.

MAINE MARITIME ACADEMY WATERFRONT CAMPUS
PIER UPGRADES AND WATERFRONT IMPROVEMENTS
CASTINE, MAINE

PIER PILE DETAILS

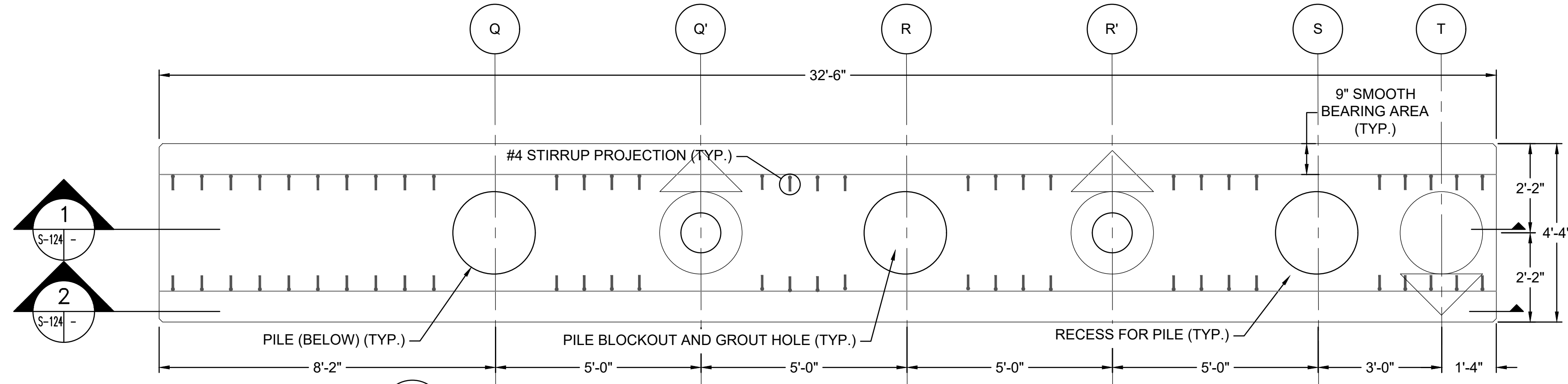
PREPARED BY: GZA GeoEnvironmental, Inc. www.gza.com
PREPARED FOR: MAINE MARITIME ACADEMY CASTINE, ME

PROJ MGR: RKC REVIEWED BY: BDW CHECKED BY: SCALE: DRAWN BY: DATE: JANUARY 2024 PROJECT NO. 03.0035109.00 REVISION NO. **S-132** SHEET NO. 61 OF 142



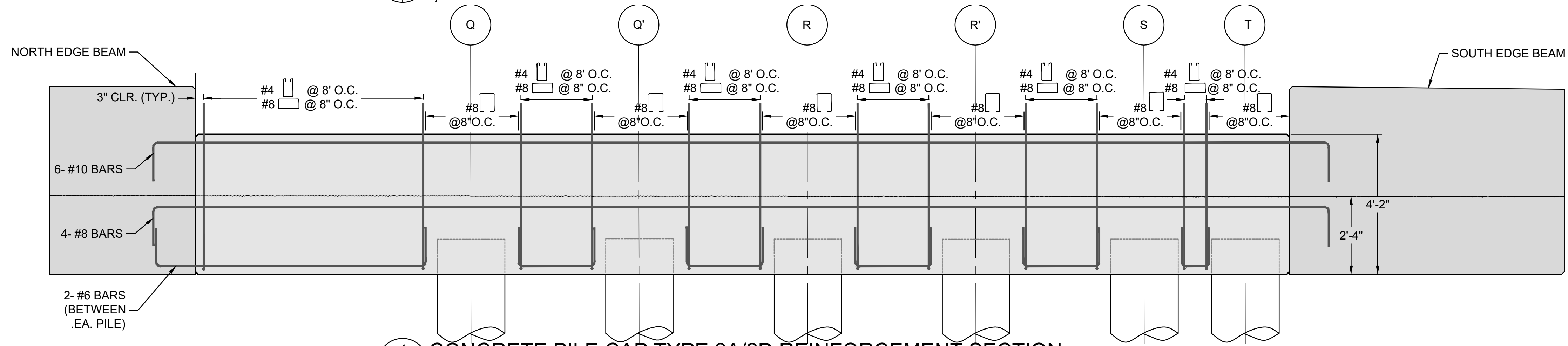
1
S-123/S-123
1/2" = 1'-0"

CONCRETE PILE CAP TYPE 2A REINFORCEMENT PLAN



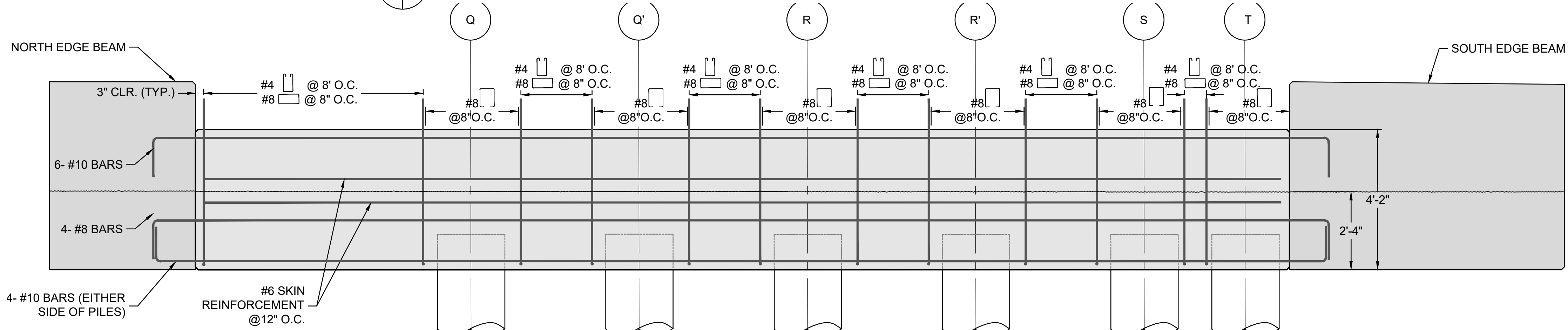
1
S-123/S-123
1/2" = 1'-0"

CONCRETE PILE CAP TYPE 2D REINFORCEMENT PLAN



1
S-124 -
1/2" = 1'-0"

CONCRETE PILE CAP TYPE 2A/2D REINFORCEMENT SECTION



2
S-124 -
1/2" = 1'-0"

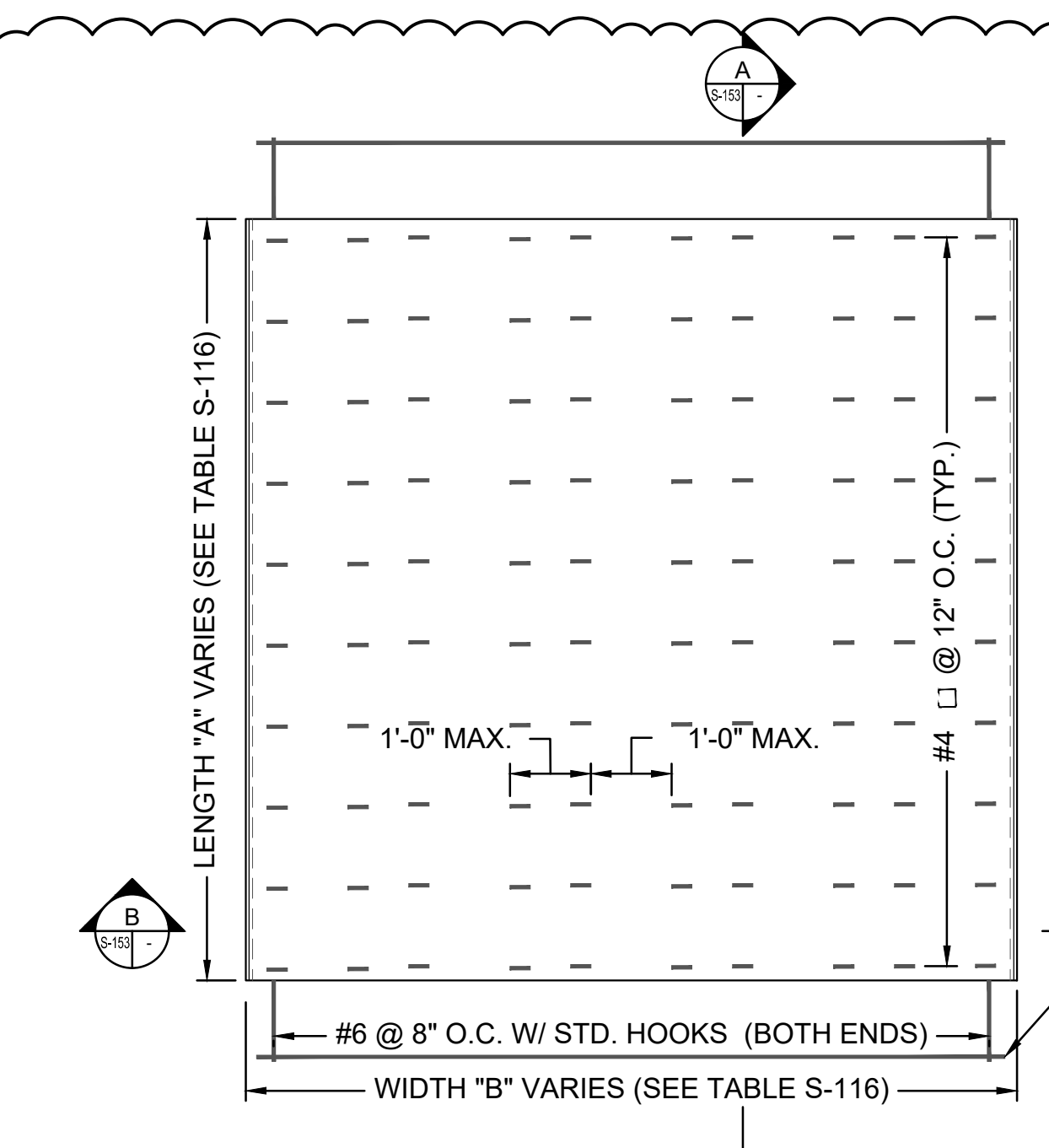
CONCRETE PILE CAP TYPE 2A/2D REINFORCEMENT SECTION

PILE CAP NOTES:

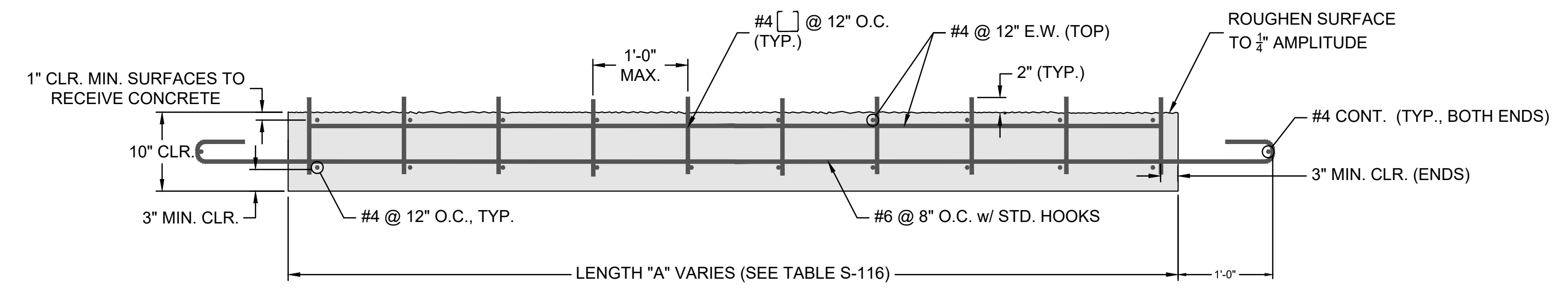
1. ALL CONCRETE EXPOSED TO WEATHER SHALL HAVE A MINIMUM OF 3" CLEAR COVER. ALL CONCRETE NOT EXPOSED TO WEATHER SHALL HAVE A MINIMUM OF 1.5" CLEAR COVER.
2. FABRICATOR TO LOCATE ALL CONNECTION DOWEL BAR LOCATIONS.
3. FOR PILE CAP TO PILE CAP CONNECTIONS, SEE SHEET S-128.
4. FOR PILE CAP TO CROSSOVER BEAM CONNECTION, SEE SHEETS S-127 AND S-129.

I.F.B.
NOT FOR CONSTRUCTION
JANUARY 26, 2024

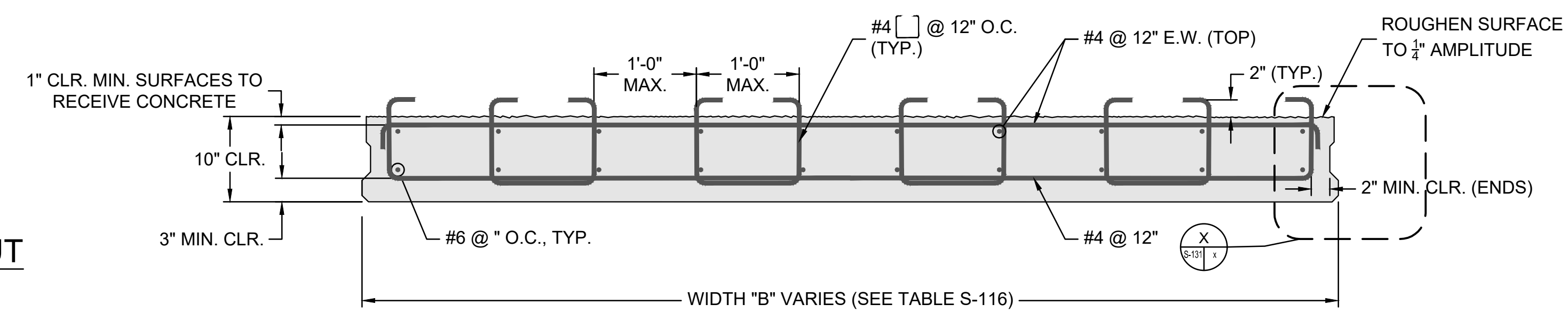
ADDENDUM #5		DDF	3/15/2024
NO.	ISSUE/DESCRIPTION	BY	DATE
1			
<small>UNLESS SPECIFICALLY STATED BY WRITTEN AGREEMENT, THIS DRAWING IS THE SOLE PROPERTY OF GZA GEOTECHNICAL, INC. (GZA). THE INFORMATION SHOWN ON THE DRAWING IS SOLELY FOR USE BY GZA'S CLIENT OR THE CLIENT'S DESIGNATED REPRESENTATIVE FOR THE SPECIFIC PROJECT AND LOCATION IDENTIFIED ON THE DRAWING. THE DRAWING SHALL NOT BE TRANSFERRED, REUSED, COPIED, OR ALTERED IN ANY MANNER FOR USE AT ANY OTHER LOCATION OR FOR ANY OTHER PURPOSE WITHOUT THE PRIOR WRITTEN CONSENT OF GZA. ANY TRANSFER, REUSE, OR MODIFICATION TO THE DRAWING BY THE CLIENT OR OTHERS, WITHOUT THE PRIOR WRITTEN EXPRESS CONSENT OF GZA, WILL BE AT THE USER'S SOLE RISK AND WITHOUT ANY RISK OR LIABILITY TO GZA.</small>			
MAINE MARITIME ACADEMY WATERFRONT CAMPUS PIER UPGRADES AND WATERFRONT IMPROVEMENTS CASTINE, MAINE			
PIER PILE CAP DETAILS - TYPE 2A & 2D			
PREPARED BY:	GZA GeoEnvironmental, Inc. www.gza.com	PREPARED FOR:	MAINE MARITIME ACADEMY CASTINE, ME
PROJ MGR:	RKC	REVIEWED BY:	BDW
DESIGNED BY:	MAR	DRAWN BY:	BDW
DATE:	JANUARY 2024	PROJECT NO.:	03.0035109.00
		SCALE:	
		REVISION NO.:	
		DRAWING	S-143
			SHEET NO. 72 OF 142



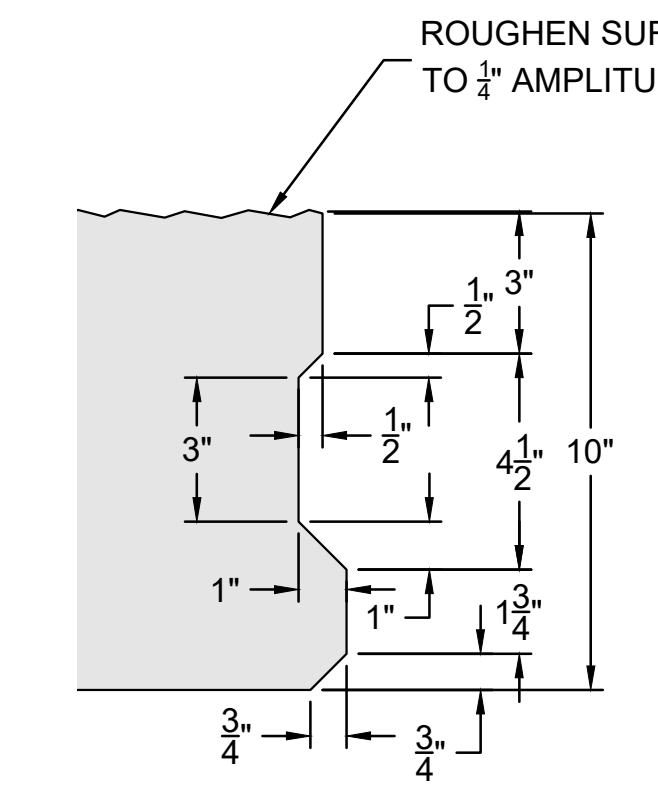
A DETAIL: TYPICAL PRE-CAST CONCRETE PLANK LAYOUT
 1/2" = 1'-0"



A SECTION: PRE-CAST CONCRETE PLANK
 1" = 1'-0"



B SECTION: PRE-CAST CONCRETE PLANK
 1" = 1'-0"



A DETAIL: PRE-CAST CONCRETE PLANK KEYWAY
 3" = 1'-0"

DECK PLANK NOTES:

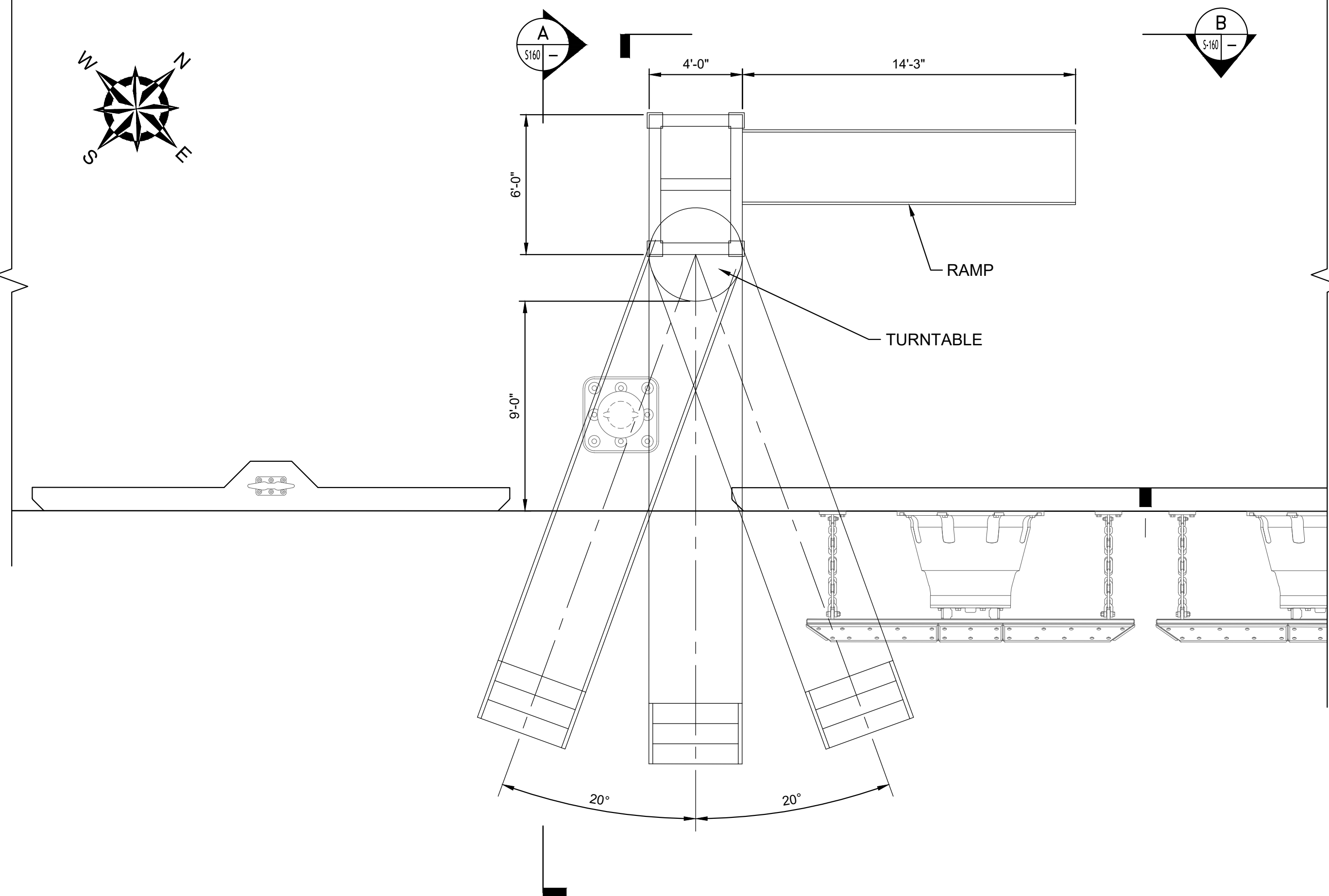
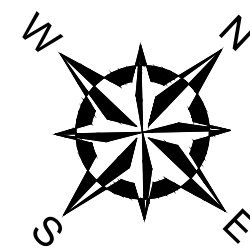
1. CONTRACTOR & PRE-CAST MANUFACTURER SHALL COORDINATE LOCATION OF PLANKS PROJECTING REINFORCEMENT WITH CLOSURE POUR BENT CAP STIRRUPS TO AVOID INTERFERENCE.
2. EQUALLY SPACE LEGS OF SHEAR TIES.
3. CONTRACTOR SHALL FIELD VERIFY ALL DIMENSIONS "A" & "B" PRIOR TO FABRICATION OF PRE-CAST PLANKS.
4. CONTRACTOR SHALL COORDINATE OPENINGS, EMBEDMENTS, INSERTS, SLEEVES, & PENETRATIONS PRIOR TO STARTING FABRICATION.
5. SEE DETAIL 3/S-113/S-157 FOR CURB REINFORCING.

1

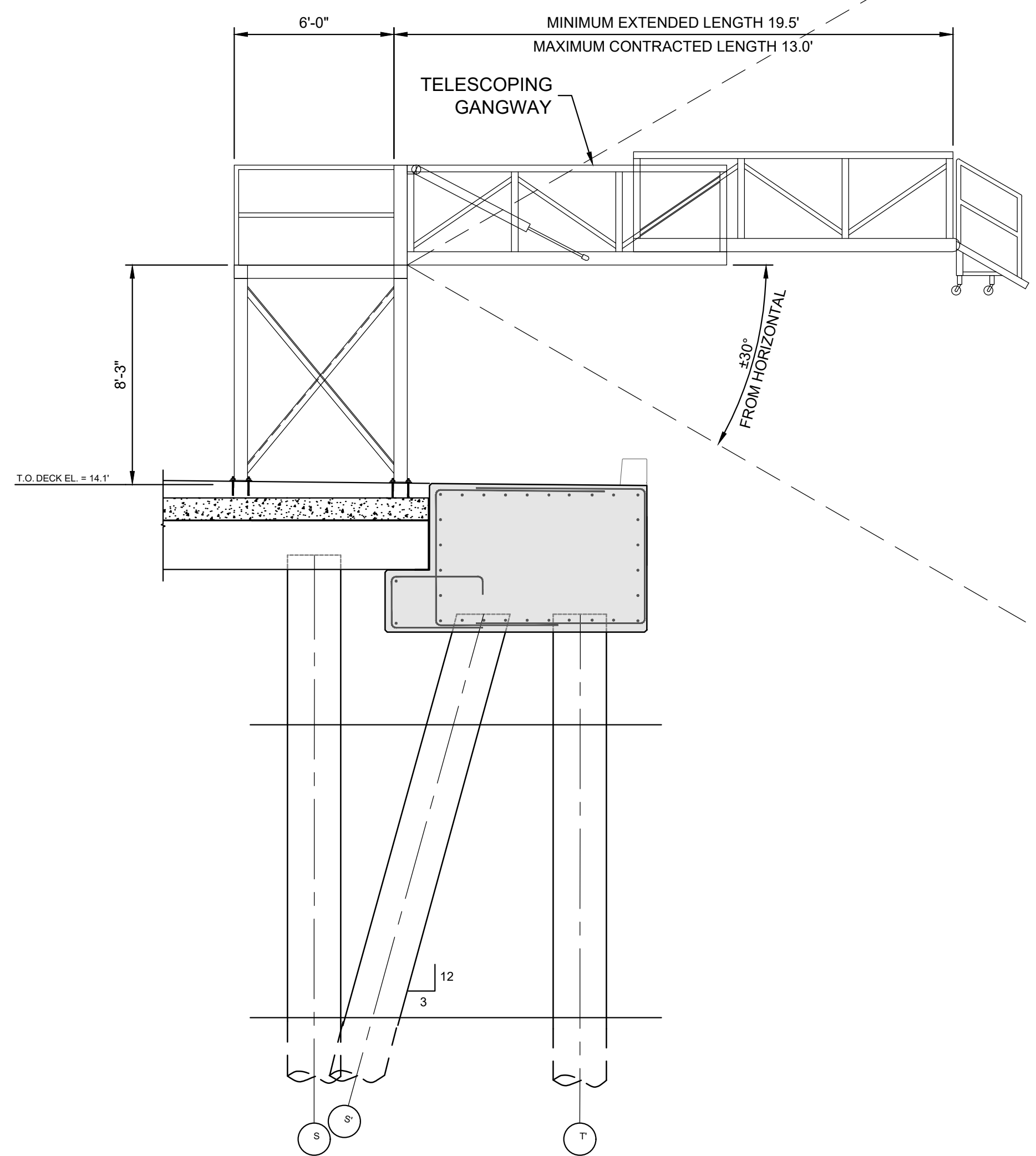
I.F.B.
 NOT FOR CONSTRUCTION
 JANUARY 26, 2024

ADDENDUM #5		DDF	3/15/2024
NO.	ISSUE/DESCRIPTION	BY	DATE
UNLESS SPECIFICALLY STATED BY WRITTEN AGREEMENT, THIS DRAWING IS THE SOLE PROPERTY OF GZA GEOTECHNICAL, INC. (GZA). THE INFORMATION SHOWN ON THE DRAWING IS SOLELY FOR USE BY GZA'S CLIENT OR THE CLIENT'S DESIGNATED REPRESENTATIVE FOR THE SPECIFIC PROJECT AND LOCATION IDENTIFIED ON THE DRAWING. THE DRAWING SHALL NOT BE TRANSFERRED, REUSED, COPIED, OR ALTERED IN ANY MANNER FOR USE AT ANY OTHER LOCATION OR FOR ANY OTHER PURPOSE WITHOUT THE PRIOR WRITTEN CONSENT OF GZA. ANY TRANSFER, REUSE, OR MODIFICATION TO THE DRAWING BY THE CLIENT OR OTHERS, WITHOUT THE PRIOR WRITTEN EXPRESS CONSENT OF GZA, WILL BE AT THE USER'S SOLE RISK AND WITHOUT ANY RISK OR LIABILITY TO GZA.			
MAINE MARITIME ACADEMY WATERFRONT CAMPUS PIER UPGRADES AND WATERFRONT IMPROVEMENTS CASTINE, MAINE			
PRE-CAST DECK PLANK DETAILS			
PREPARED BY: GZA GeoEnvironmental, Inc. www.gza.com		PREPARED FOR: MAINE MARITIME ACADEMY CASTINE, ME	
PROJ MGR: RKC DESIGNED BY: MAR DATE: JANUARY 2024	REVIEWED BY: DRAWN BY: BDW PROJECT NO.: 03.0035109.00	CHECKED BY: SCALE: REVISION NO.:	DRAWING S-153 SHEET NO. 82 OF 142

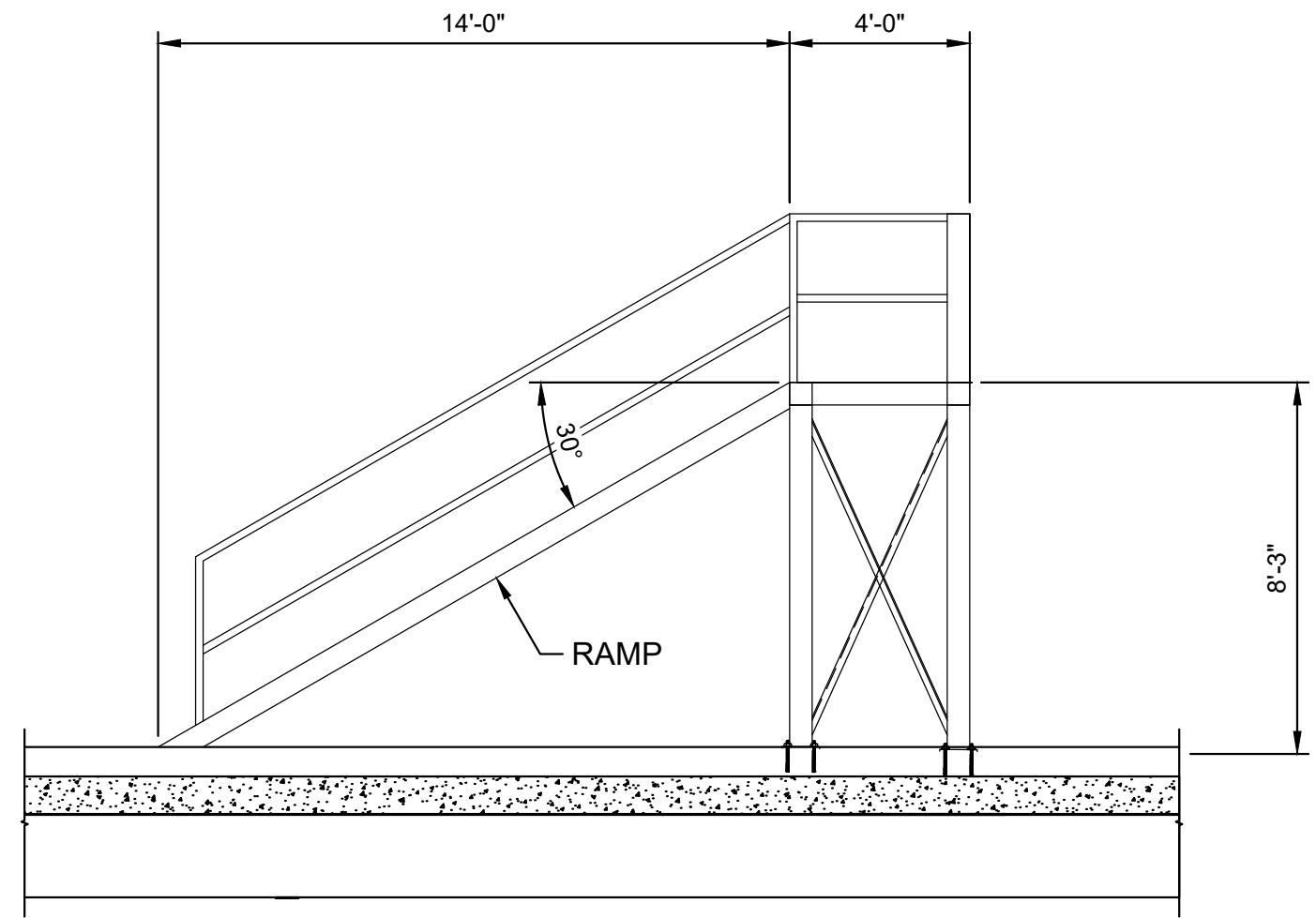
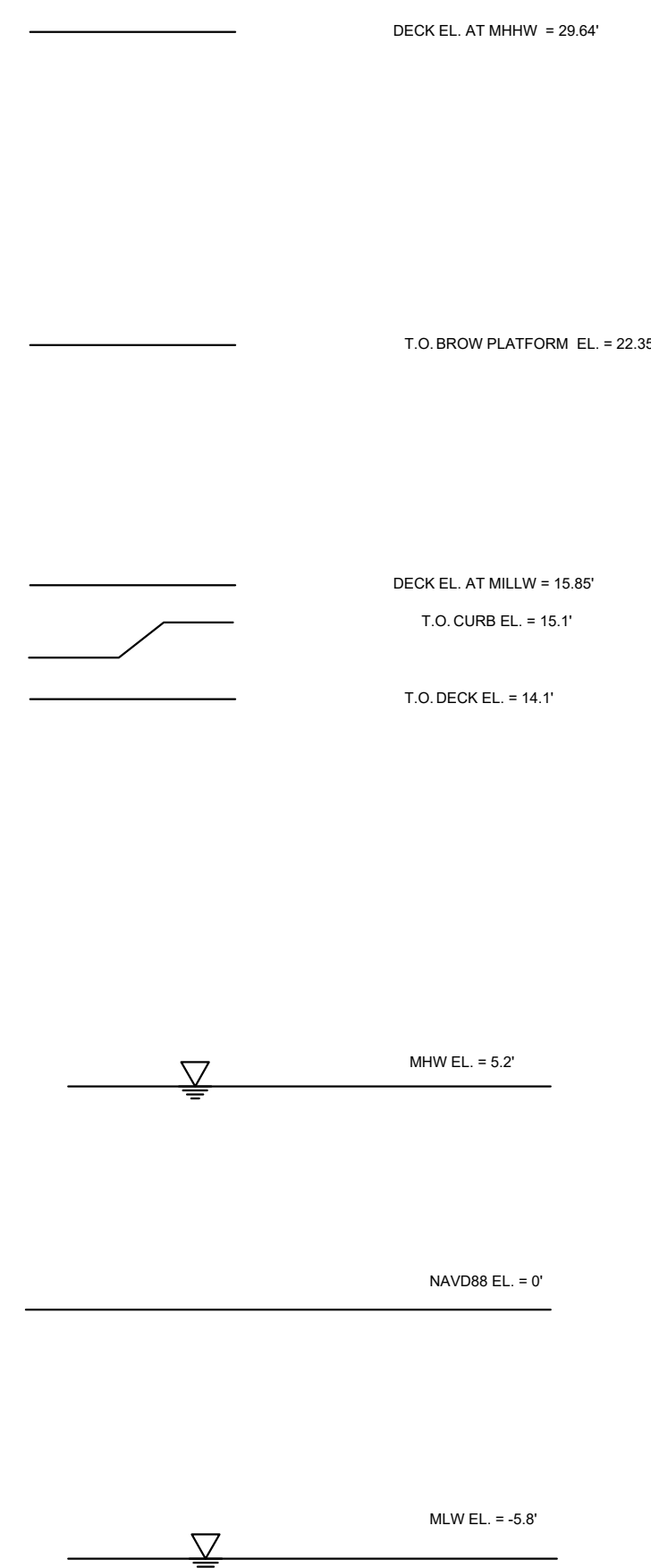
© 2024 GZA GeoEnvironmental, Inc. GZA-24-0300-109-0035109-0035109-0035109-0035109-0035109 (DECK PLANKS) Month 15, 2024 MICHAEL AUBIN



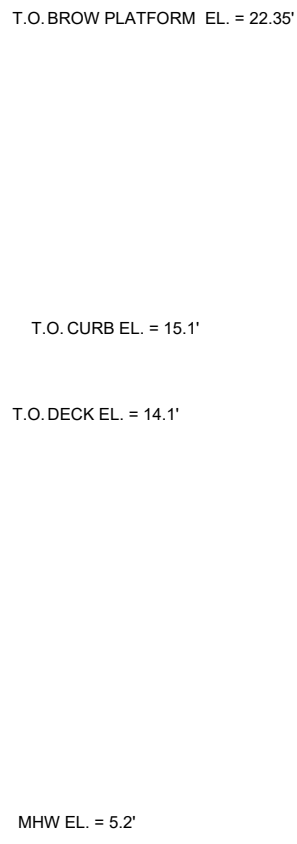
1 PART-PLAN: BROW SUPPORT LAYOUT
 1/4" = 1'-0"



A SECTION: BROW SUPPORT AT BOLLARD
 1/4" = 1'-0"



B SECTION: BROW RAMP & SUPPORT
 1/4" = 1'-0"



I.F.B.
 NOT FOR CONSTRUCTION
 JANUARY 26, 2024

ADDENDUM #5		
NO.	ISSUE/DESCRIPTION	DATE

UNLESS SPECIFICALLY STATED BY WRITTEN AGREEMENT, THIS DRAWING IS THE SOLE PROPERTY OF GZA GEDENVIRONMENTAL, INC. (GZA). THE INFORMATION SHOWN ON THE DRAWING IS SOLELY FOR USE BY GZA'S CLIENT OR THE CLIENT'S DESIGNATED REPRESENTATIVE FOR THE SPECIFIC PROJECT AND LOCATION IDENTIFIED ON THE DRAWING. THE DRAWING SHALL NOT BE TRANSFERRED, REUSED, COPIED, OR ALTERED IN ANY MANNER FOR USE AT ANY OTHER LOCATION OR FOR ANY OTHER PURPOSE WITHOUT THE PRIOR WRITTEN CONSENT OF GZA. ANY TRANSFER, REUSE, OR MODIFICATION TO THE DRAWING BY THE CLIENT OR OTHERS, WITHOUT THE PRIOR WRITTEN EXPRESS CONSENT OF GZA, WILL BE AT THE USER'S SOLE RISK AND WITHOUT ANY RISK OR LIABILITY TO GZA.

MAINE MARITIME ACADEMY WATERFRONT CAMPUS
 PIER UPGRADES AND WATERFRONT IMPROVEMENTS
 CASTINE, MAINE

BROW PLAN, SECTIONS, AND DETAILS

PREPARED BY: **GZA** GeoEnvironmental, Inc. www.gza.com
 PREPARED FOR: MAINE MARITIME ACADEMY
 CASTINE, ME

PROJ MGR: RKC	DESIGNED BY: AFS	REVIEWED BY: CWC	CHECKED BY: DDF	DRAWING SCALE: AS NOTED REVISION NO.
DATE: JANUARY 2024	PROJECT NO: 35109.00			

S-160
 SHEET NO. 89 OF 142



© 2024 - GZA GeoEnvironmental, Inc. GZA \\\COMPROJ\ME\MAINE\CASTINE\35109\DWG\35109-00-100-BROW-PLAN-SECTIONS-DTIS-AND-ADD-2024-01-29.DWG S-160 BROW March 15, 2024 BRIAN MARTIN