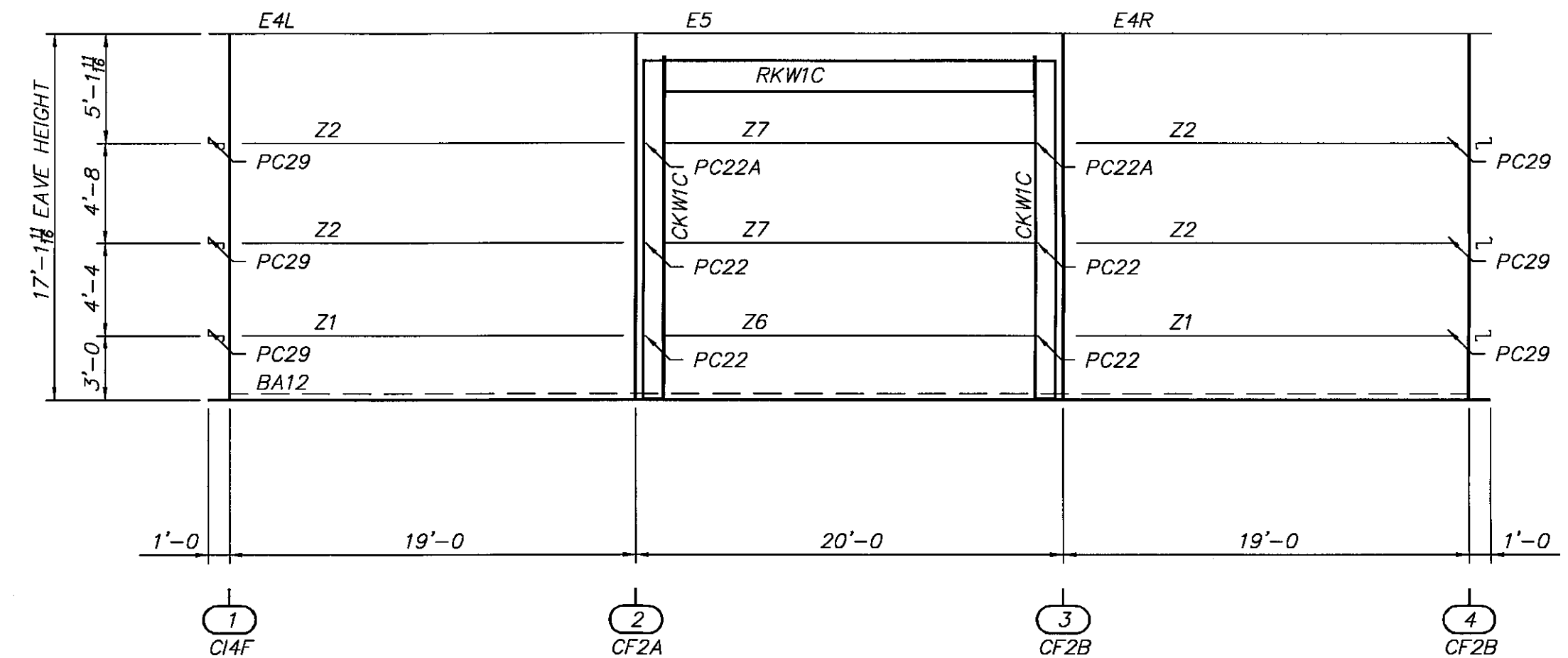
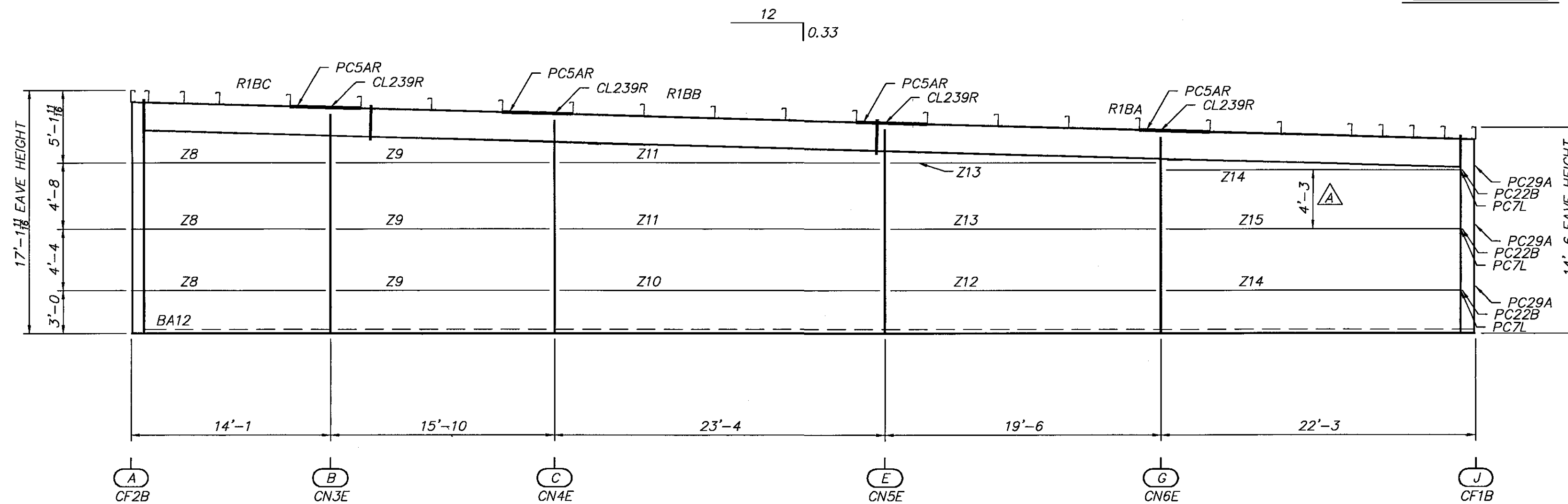


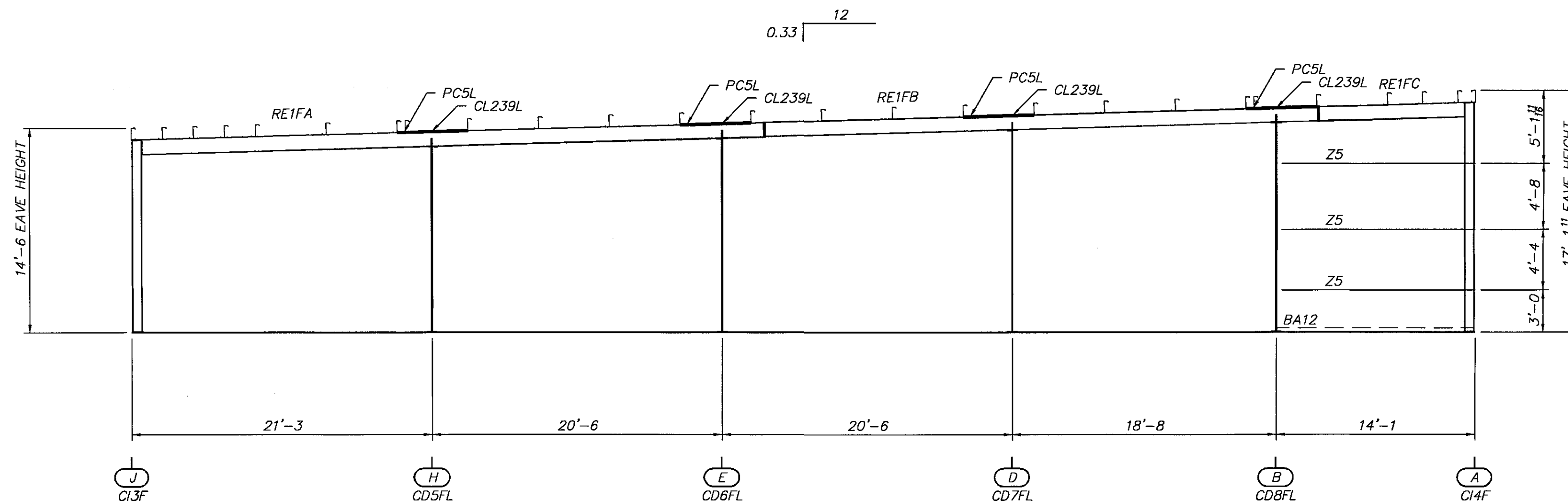
ELEVATION "A"



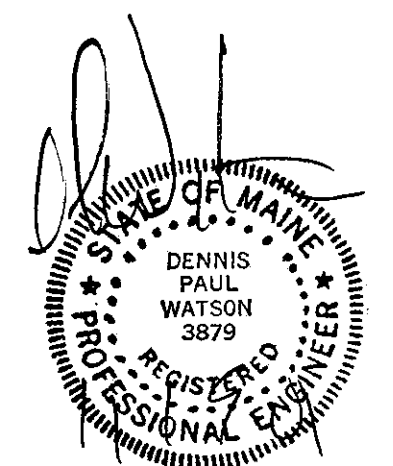
ELEVATION "C"



ELEVATION "B"



ELEVATION "D"



DENNIS P. WATSON, P.E.
8600 S. I-35 SERVICE ROAD
OKLAHOMA CITY, OK. 73149
MAINE P.E. 3879

REVISED FINAL DRAWING

NOTES:

- THIS DRAWING, INCLUDING THE INFORMATION HERE, REMAINS THE PROPERTY OF STAR BUILDING SYSTEMS, A ROBERTSON/CECO COMPANY AND IS PROVIDED SOLELY FOR THE PURPOSE OF ERECTING THE MATERIAL DESCRIBED IN THE APPLICABLE ORDER DOCUMENTS AND SHALL NOT BE MODIFIED, REPRODUCED, OR USED FOR ANY OTHER PURPOSE WITHOUT PRIOR WRITTEN APPROVAL OF STAR BUILDING SYSTEMS.
- THE GENERAL CONTRACTOR AND/OR ERECTOR IS SOLELY RESPONSIBLE FOR ACCURATE, GOOD QUALITY WORKMANSHIP IN ERECTING MATERIALS FOR THIS BUILDING IN CONFORMANCE WITH THIS DRAWING, DETAILS REFERENCED IN THIS DRAWING, ALL APPLICABLE STAR ERECTION GUIDES, AND INDUSTRY STANDARDS.

REVISED	DESCRIPTION	DATE
△	MOVED GIRT DOWN 5"	JDR 11/19/01

CHECKED	DATE
JDR	11/19/01
NOT TO SCALE	

STAR BUILDING SYSTEMS
A Robertson/Ceco Company

P.O. BOX 94910
OKLAHOMA CITY, OK 73143
(405) 636-2010

BUILDER:
BUILDINGS ETCETERA INC
HOULTON, ME

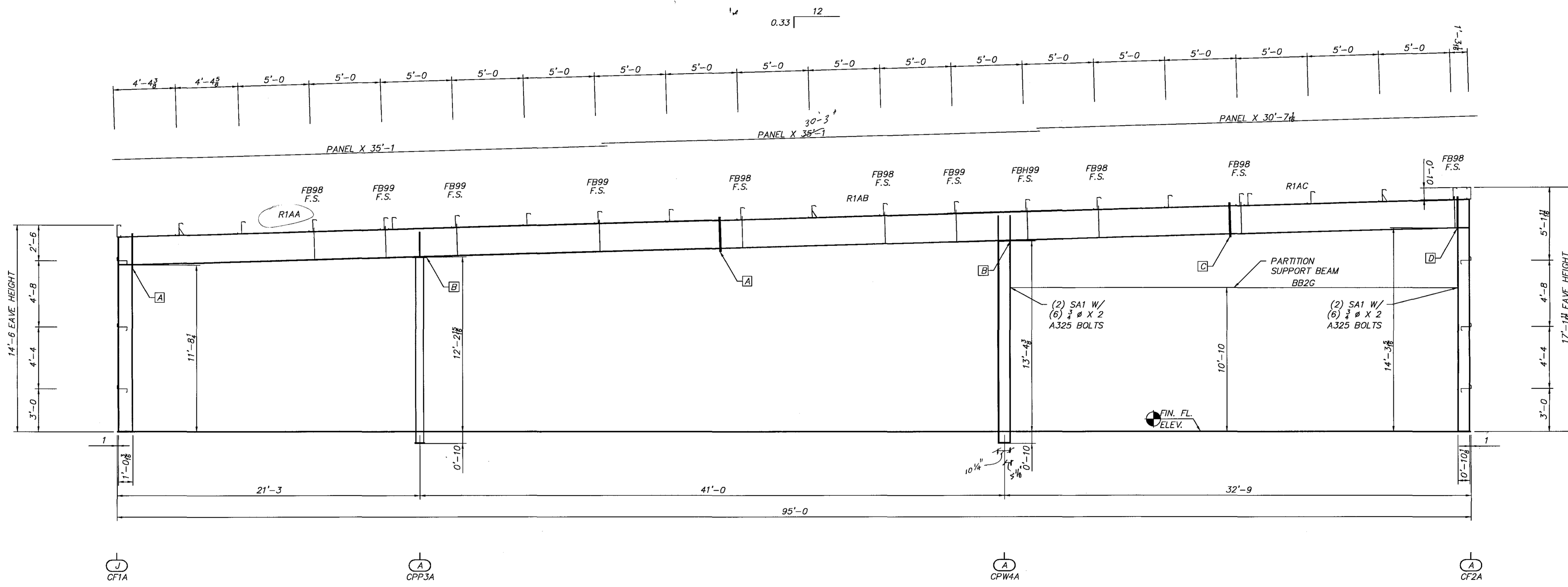
CUSTOMER:
EASTERN MAINE TECHNICAL COLLEGE
EAST MILLINOCKET, ME

JOB NO.
10 B 18131

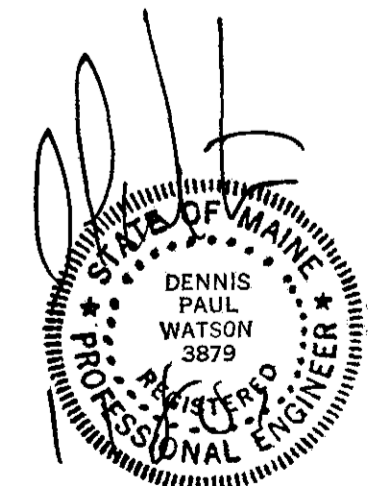
MEMBER
MBMA

DRAWING NO.
E3

GENERAL NOTES
 FRAME CLEARANCES SHOWN ARE APPROXIMATE AND
 MAY VARY DUE TO CONDITIONS (DEFLECTION).
 VERTICAL CLEARANCE DIMENSIONS ARE FROM
 FINISHED FLOOR REFERENCE ELEVATION.



CROSS SECTION AT FRAME LINE "2"



DENNIS P. WATSON, P.E.
 8600 S. I-35 SERVICE ROAD
 OKLAHOMA CITY, OK. 73149
 MAINE P.E. 3879

FINAL DRAWING

SPLICE BOLT TABLE				
CONN.	QTY.	SIZE	TYPE	HARDENED BEVELED WASHERS
A	(10)	3/4 X 2	A325 B&N	0
B	(4)	1/2 X 1 3/4	A325 B&N	0
C	(8)	3/4 X 2	A325 B&N	0
D	(6)	3/4 X 2	A325 B&N	0

NOTES:
 1. THIS DRAWING, INCLUDING THE INFORMATION HERE, REMAINS THE PROPERTY OF STAR BUILDING SYSTEMS, A ROBERTSON CECO COMPANY AND IS PROVIDED SOLELY FOR THE PURPOSE OF ERECTING THE MATERIAL DESCRIBED IN THE APPLICABLE ORDER DOCUMENTS AND SHALL NOT BE MODIFIED, REPRODUCED, OR USED FOR ANY OTHER PURPOSE WITHOUT PRIOR WRITTEN APPROVAL OF STAR BUILDING SYSTEMS.
 2. THE GENERAL CONTRACTOR AND/OR ERECTOR IS SOLELY RESPONSIBLE FOR ACCURATE, GOOD QUALITY WORKMANSHIP IN ERECTING MATERIALS FOR THIS BUILDING IN CONFORMANCE WITH THIS DRAWING, DETAILS REFERENCED IN THIS DRAWING, ALL APPLICABLE STAR ERECTION GUIDES, AND INDUSTRY STANDARDS.

CHECKED: JDR
 DATE: 11/8/01
 NOT TO SCALE

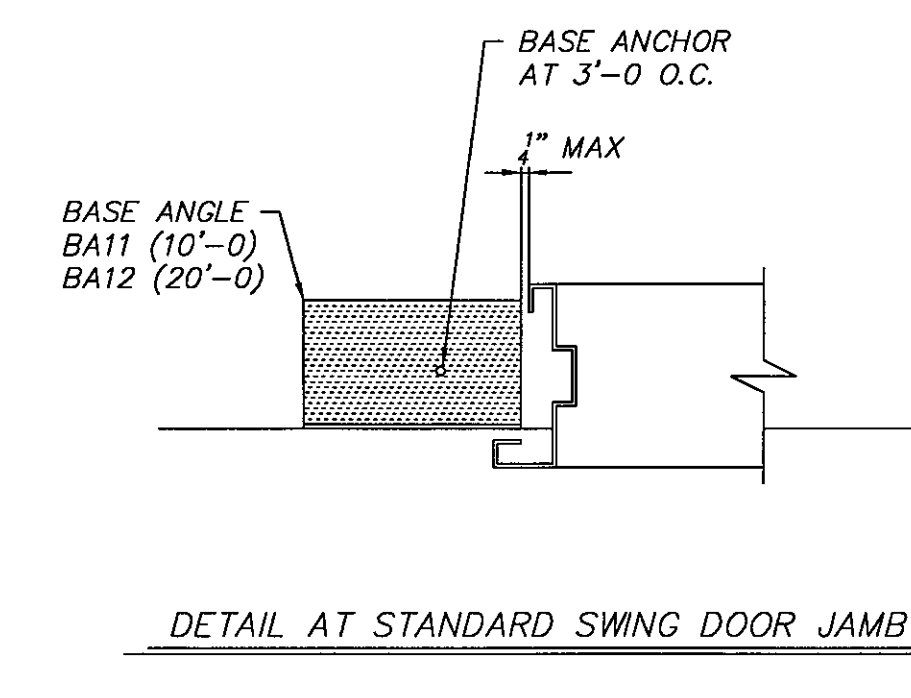
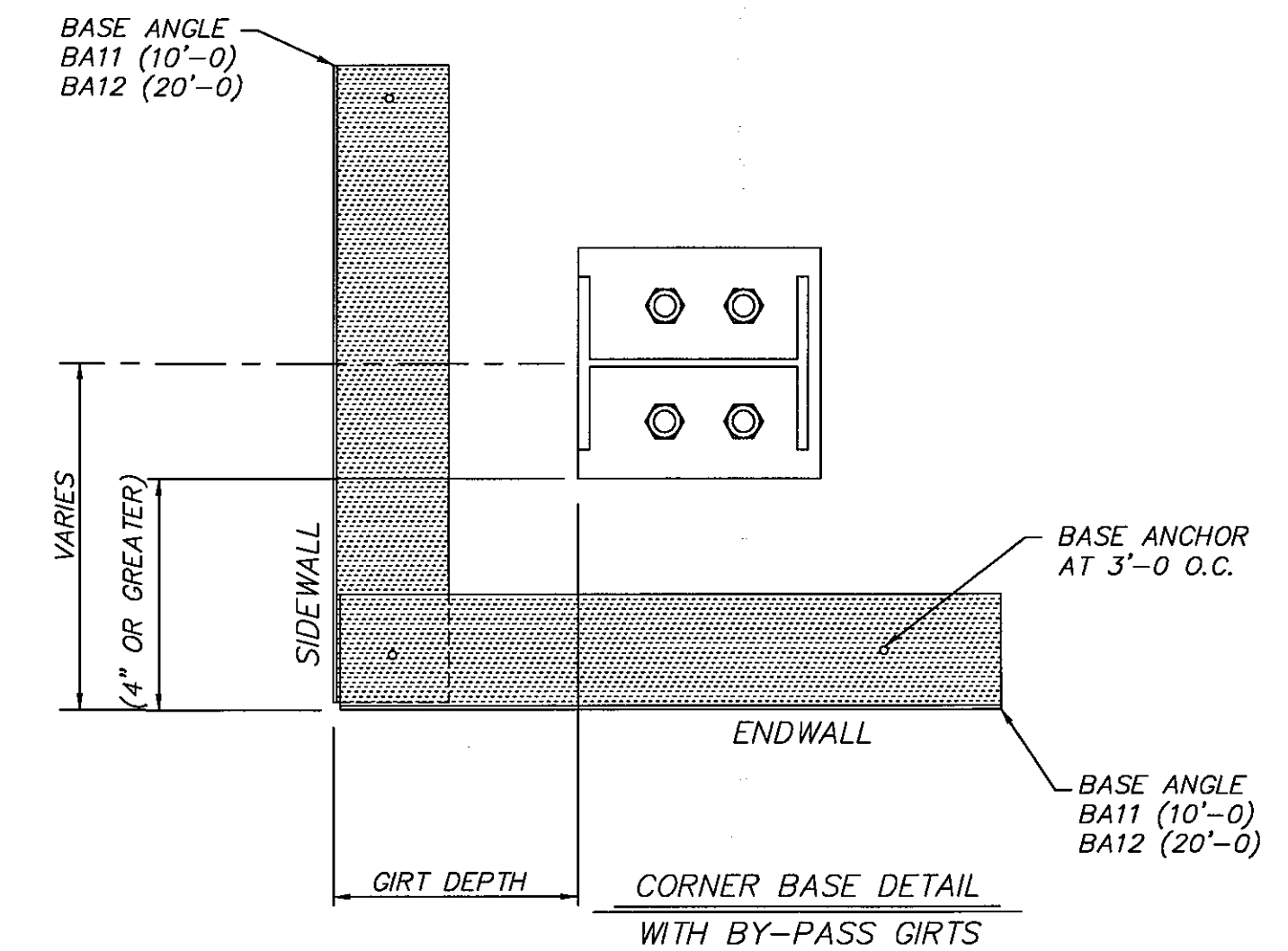
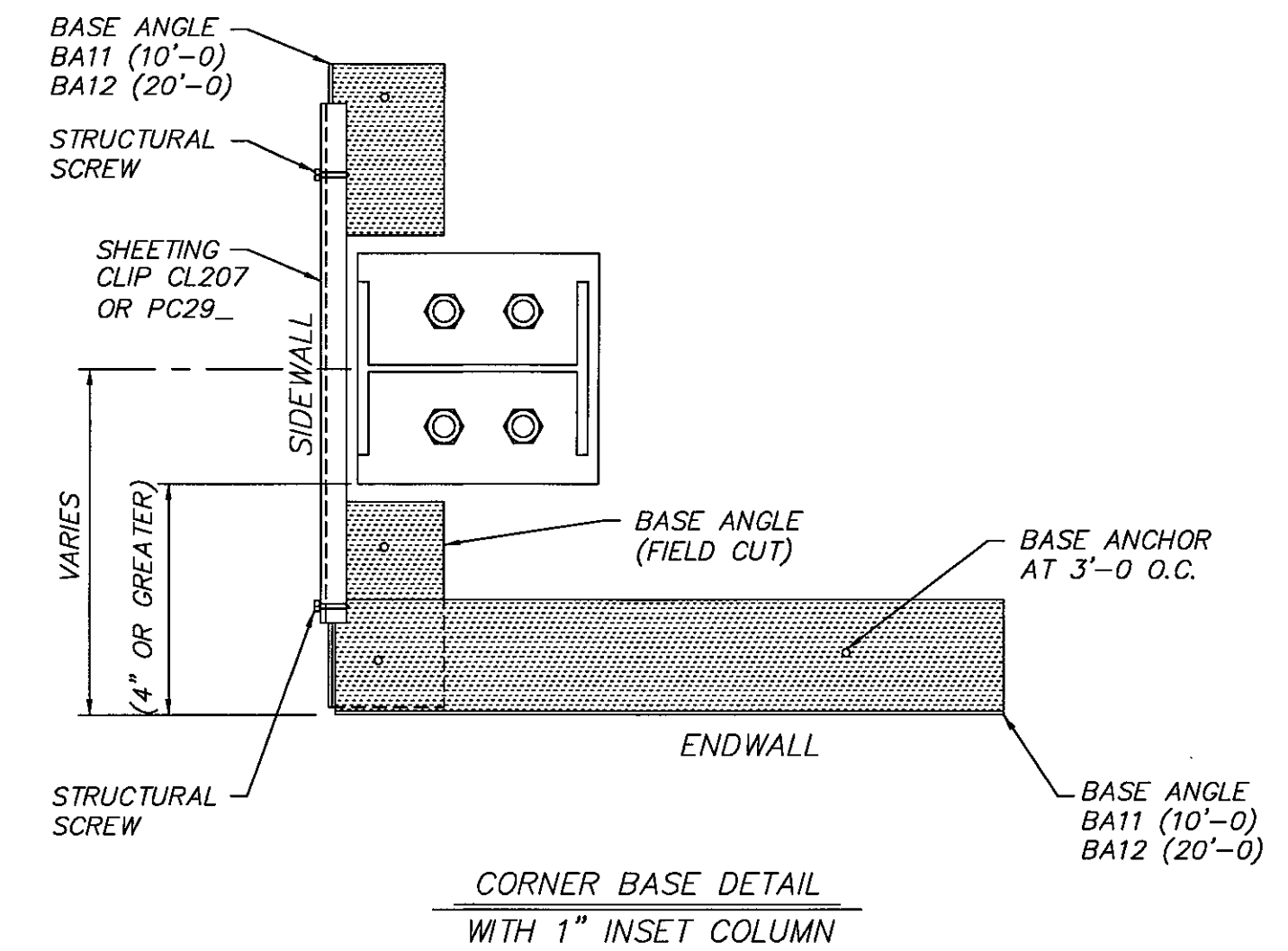
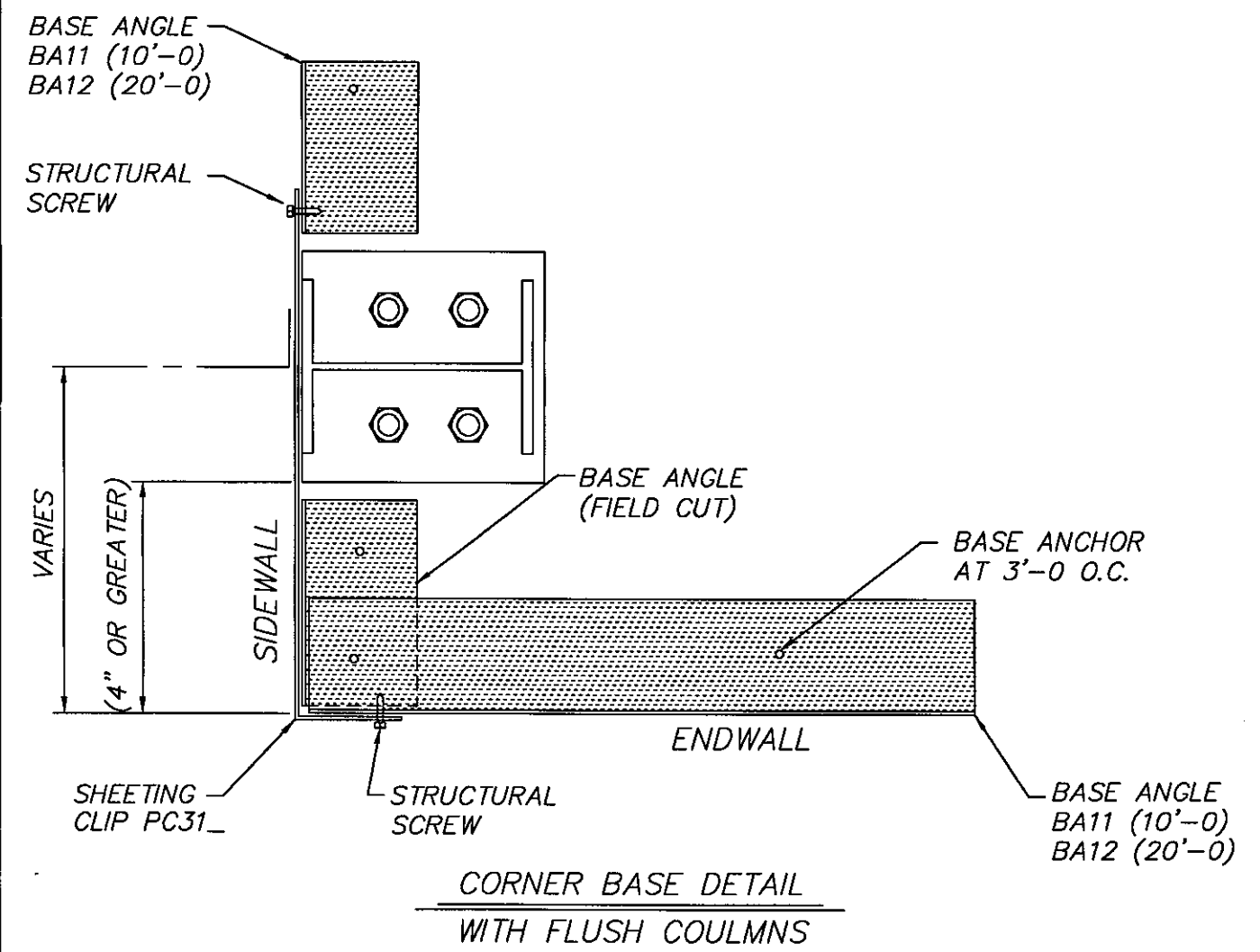
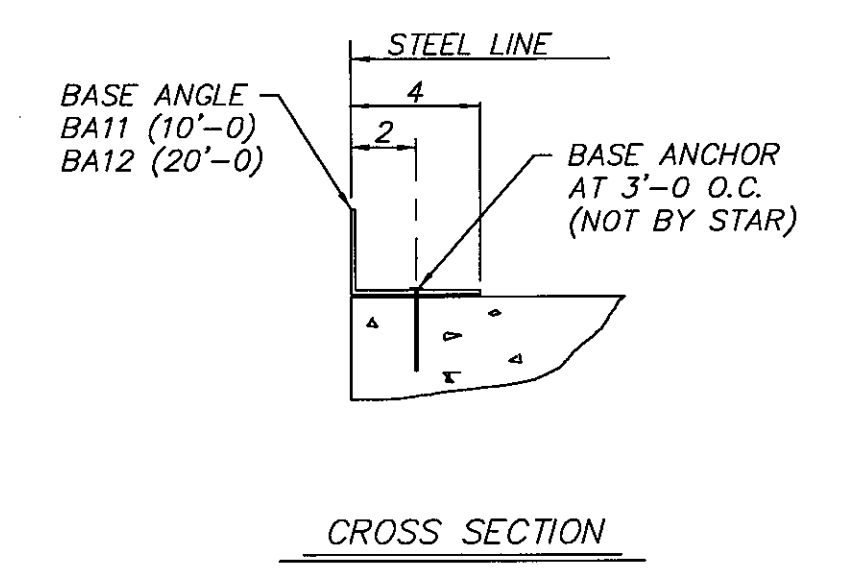
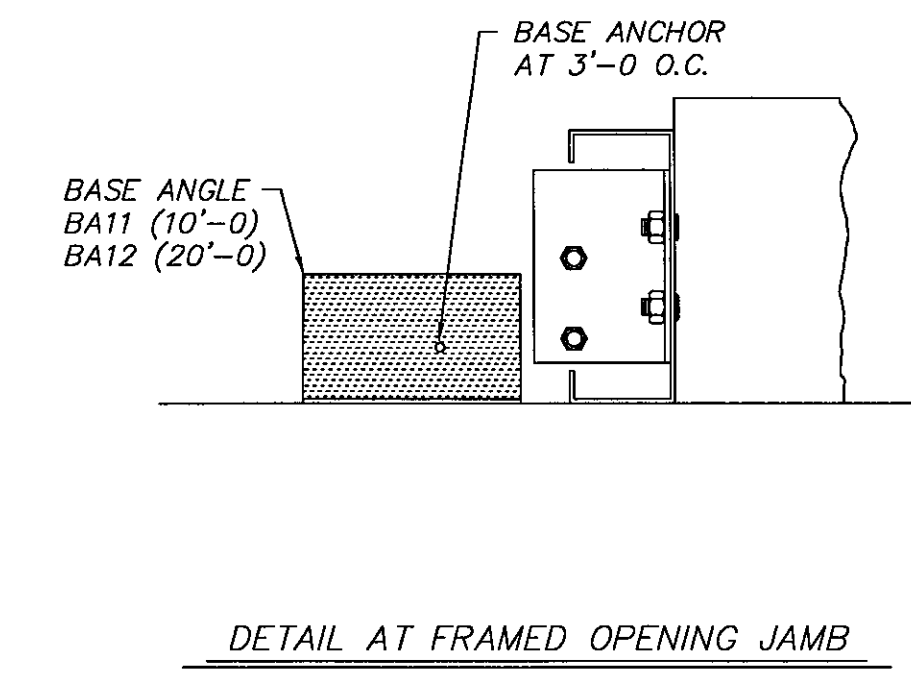
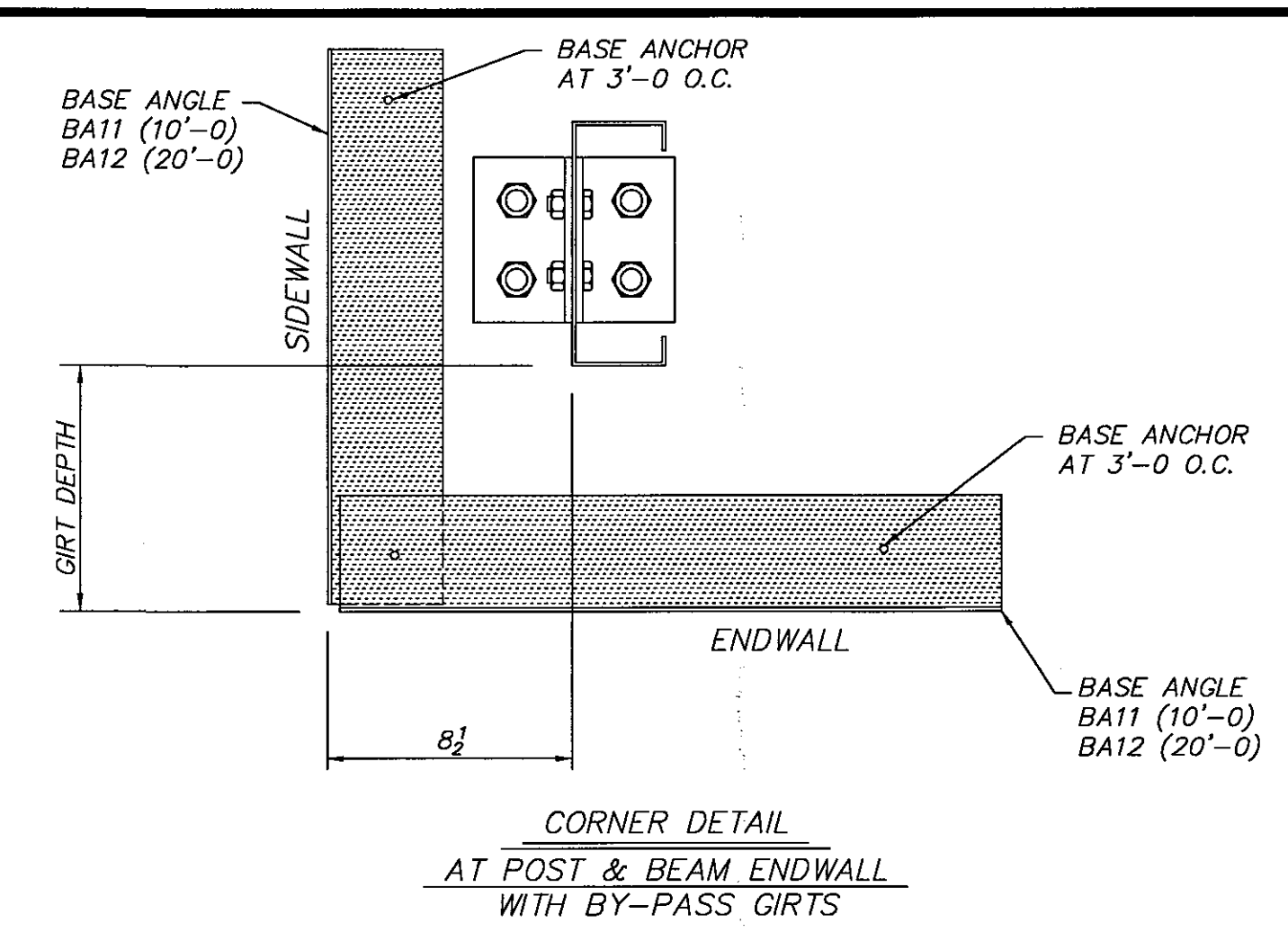
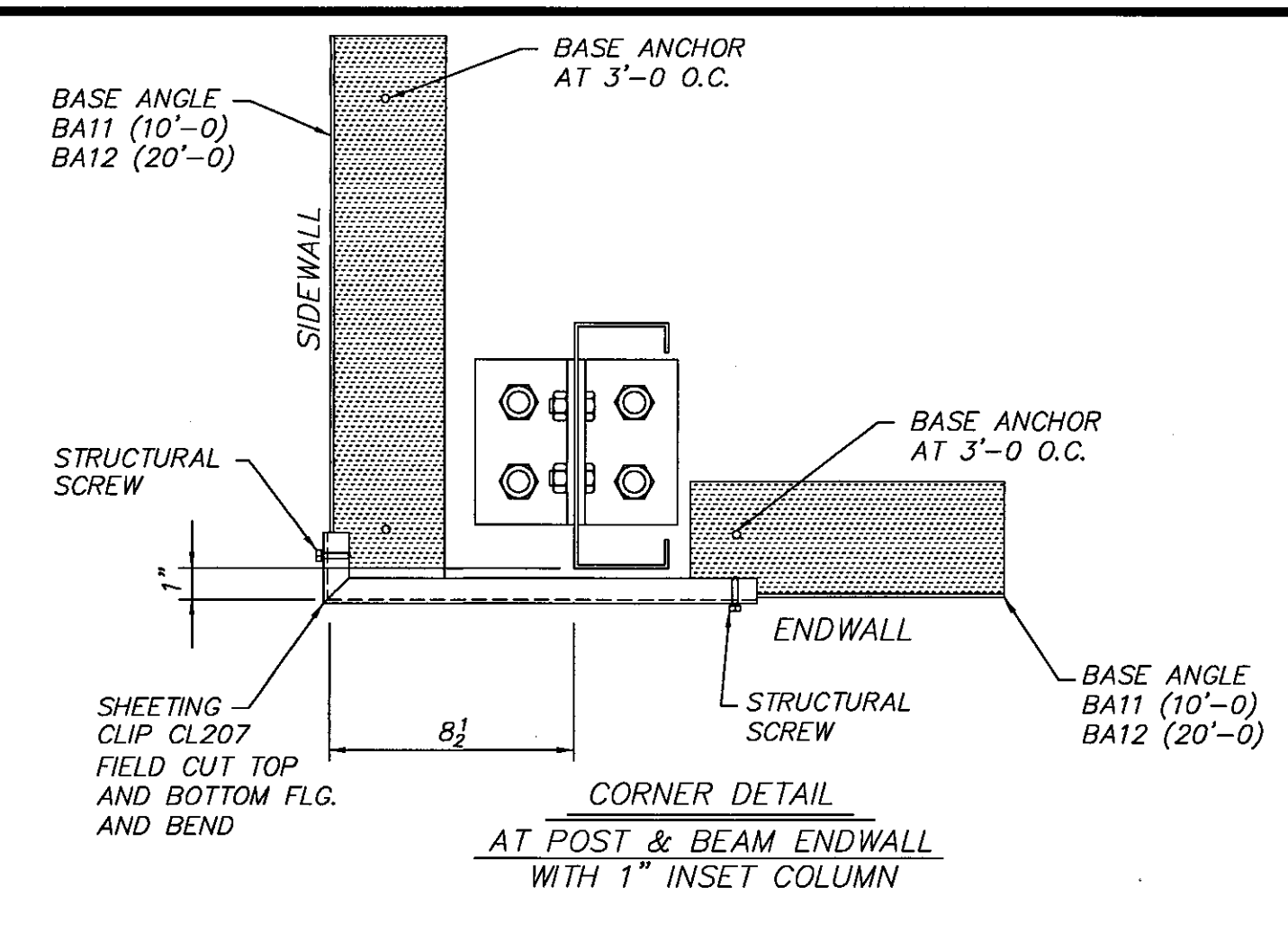
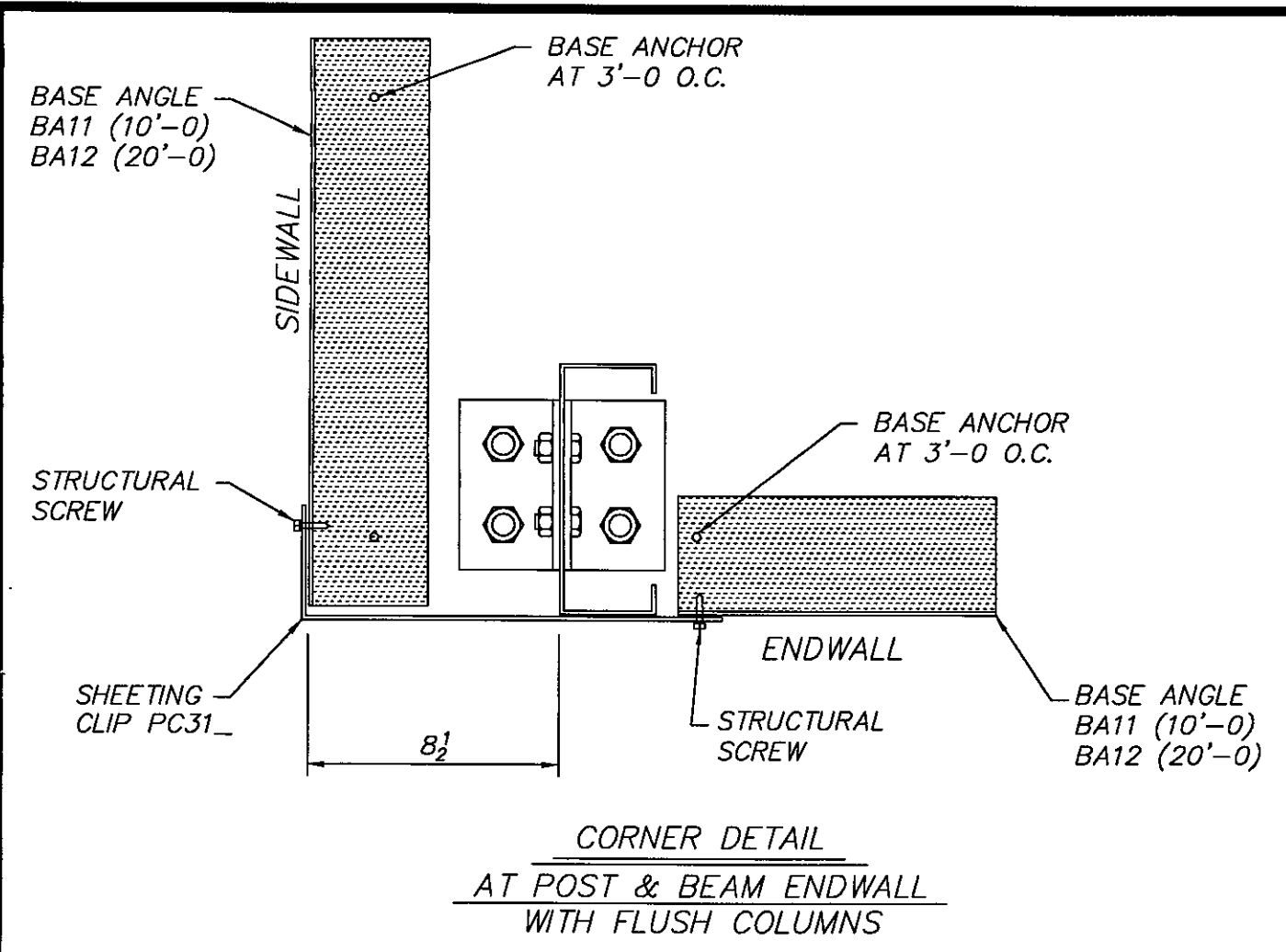
STAR BUILDING SYSTEMS
 A RobertsonCeco Company

BUILDER: BUILDINGS ETCETERA INC
 HOULTON, ME

CUSTOMER: EASTERN MAINE TECHNICAL COLLEGE
 EAST MILLINOCKET, ME

P.O. BOX 94910
 OKLAHOMA CITY, OK 73143
 (405) 636-2010

JOB NO. 10 B 18131
 MEMBER MBMA
 DRAWING NO. E5



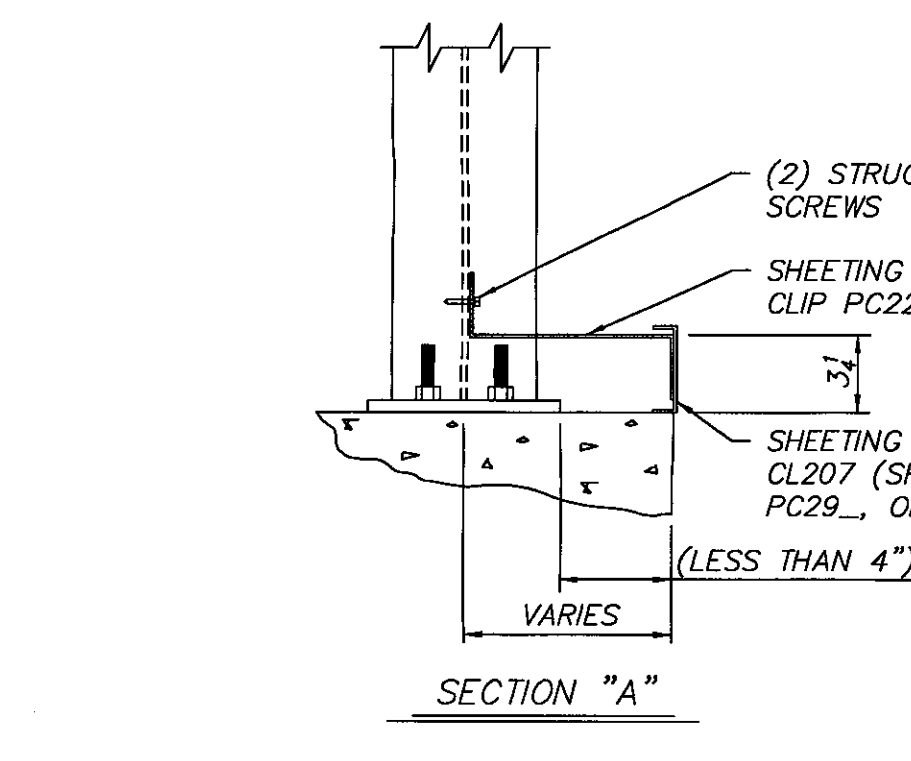
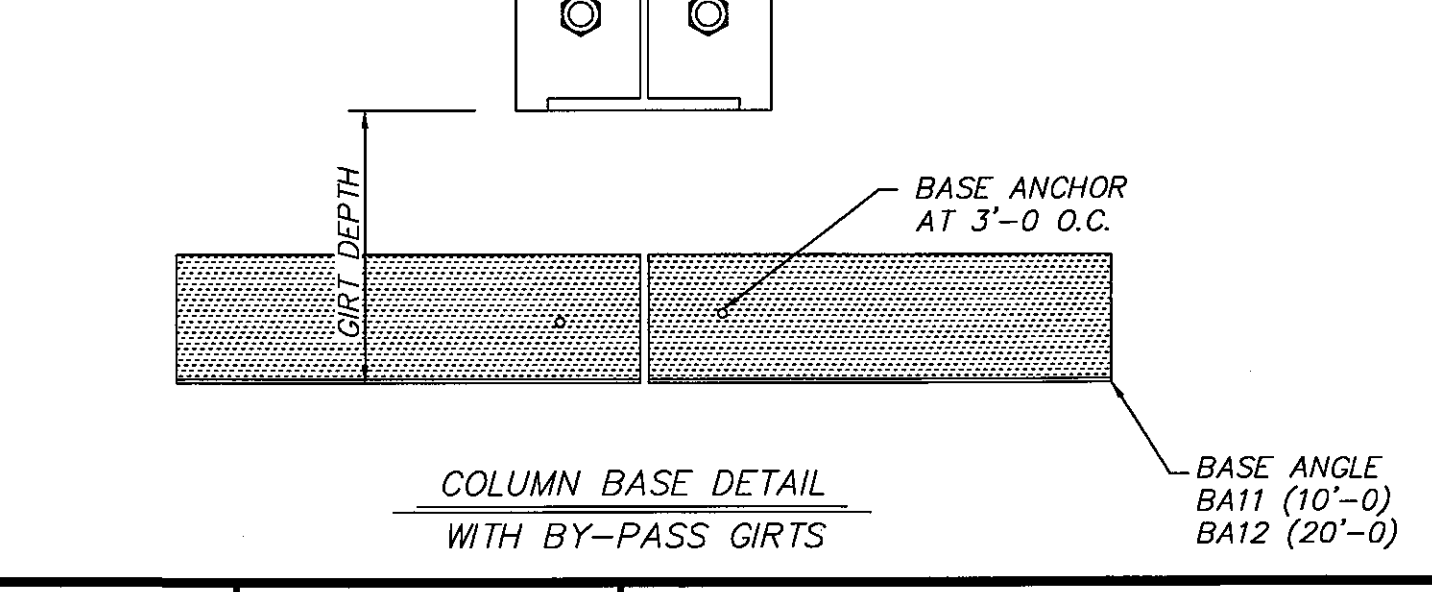
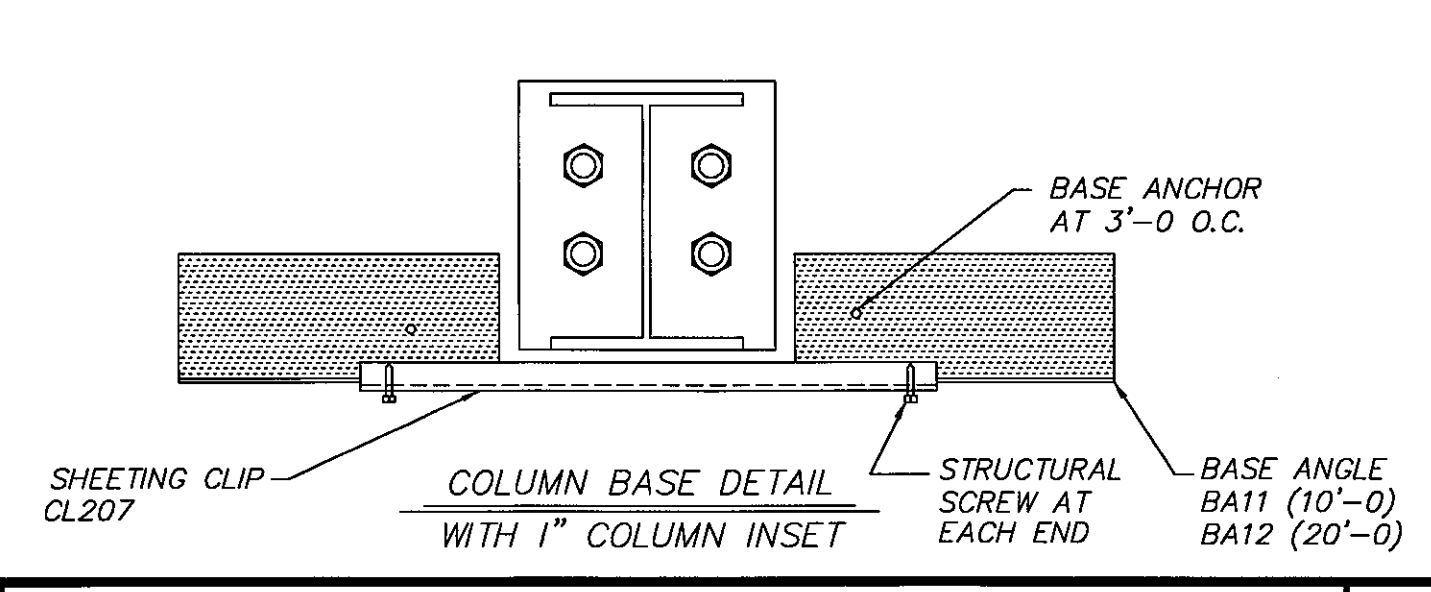
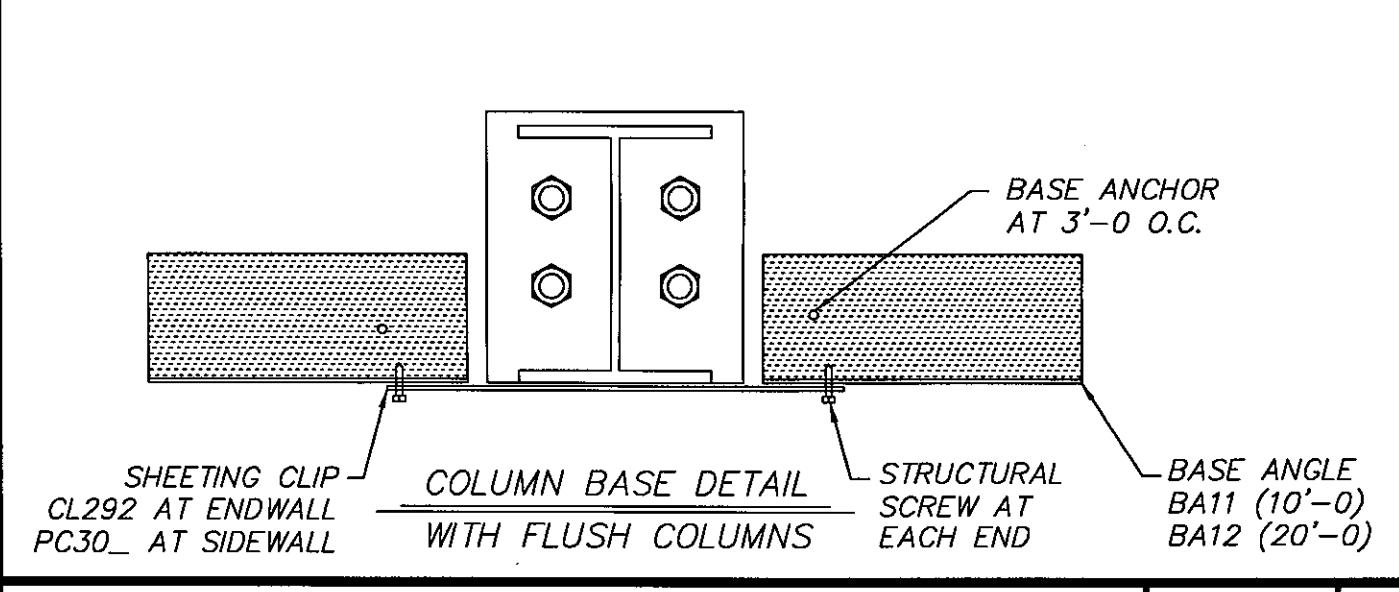
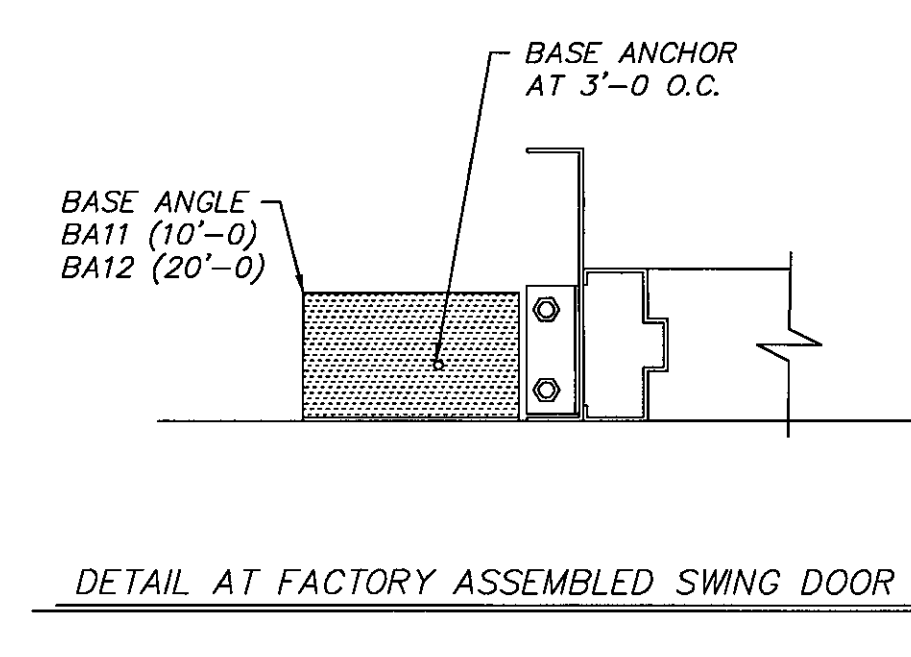
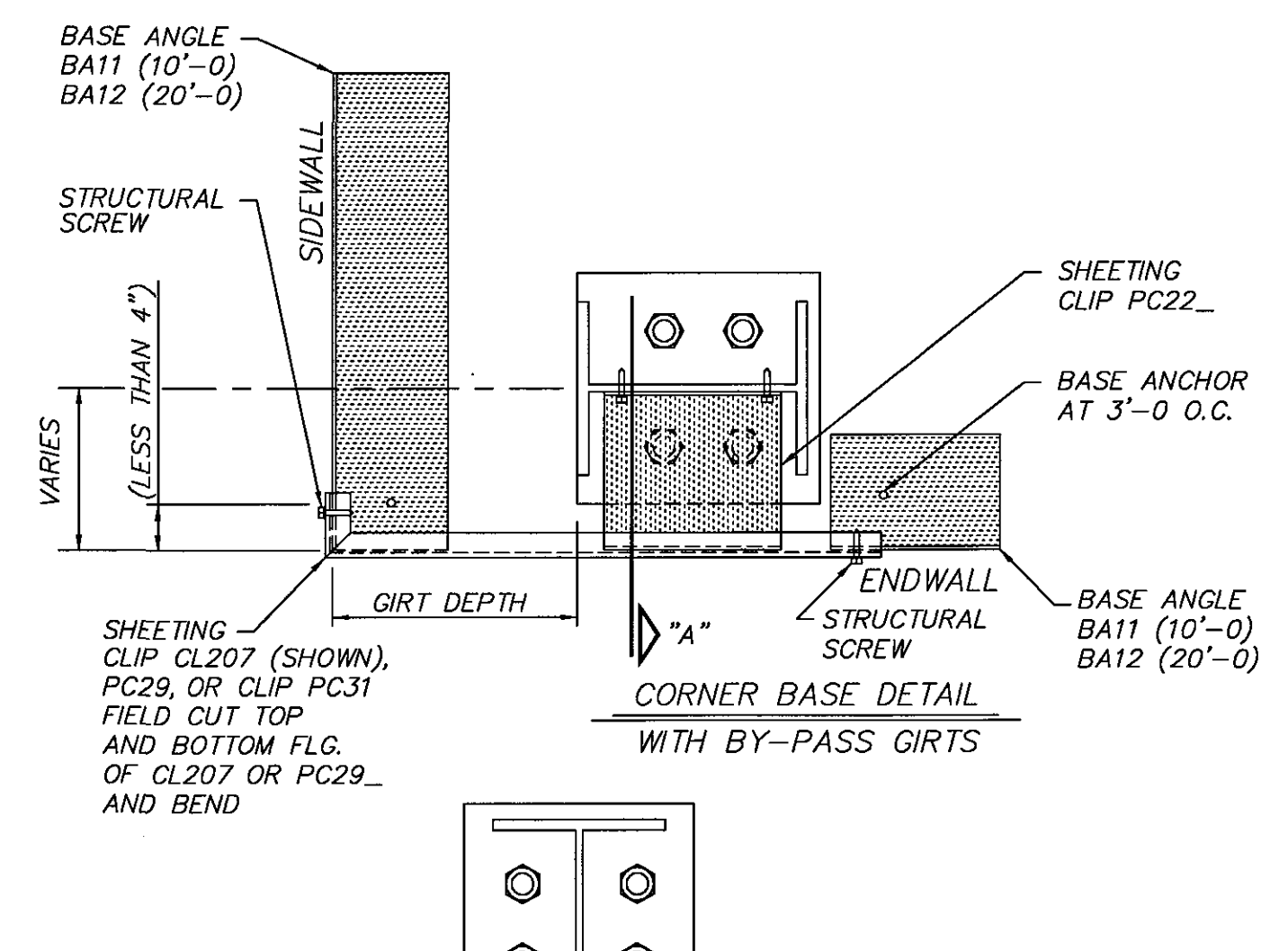
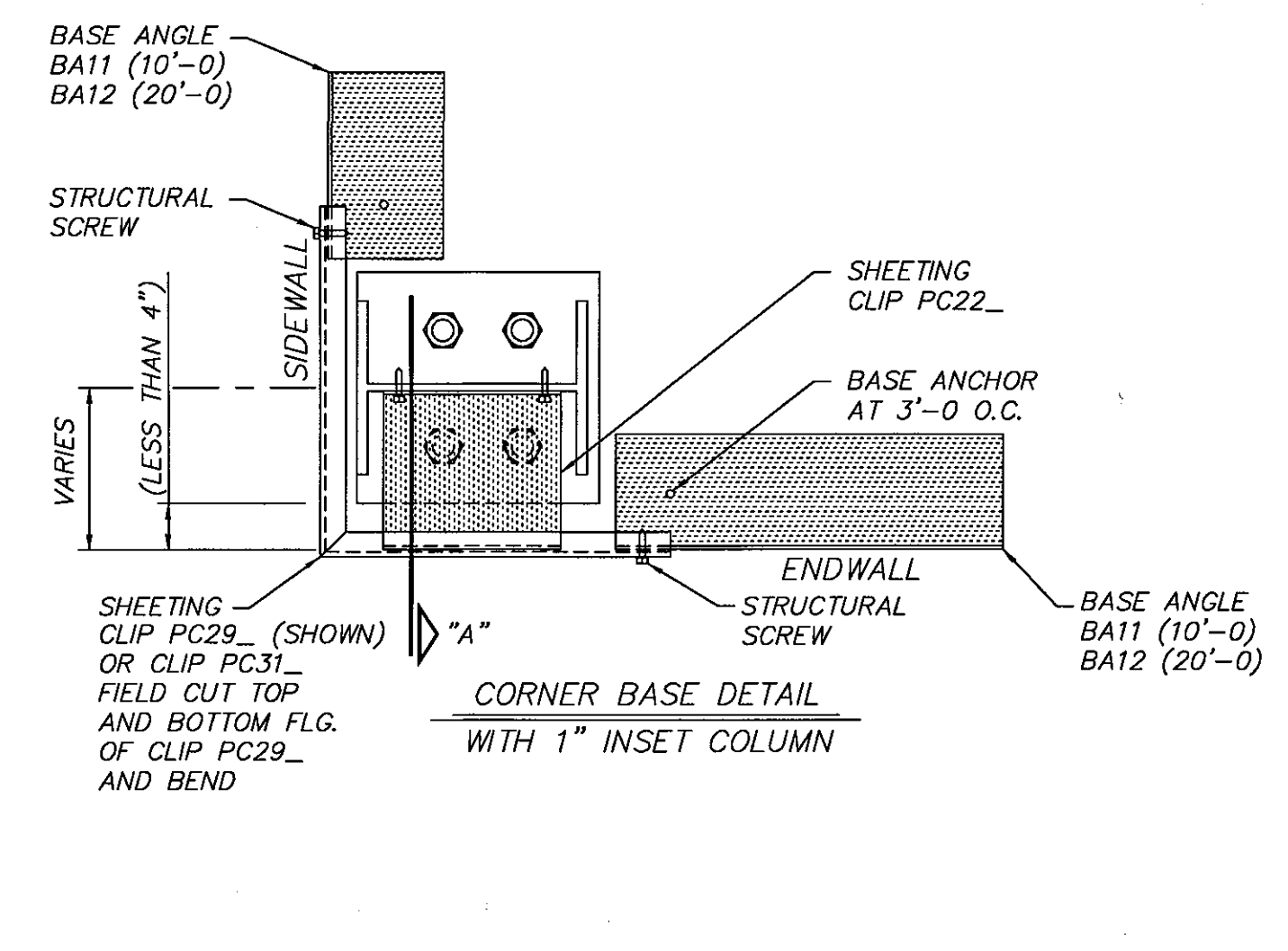
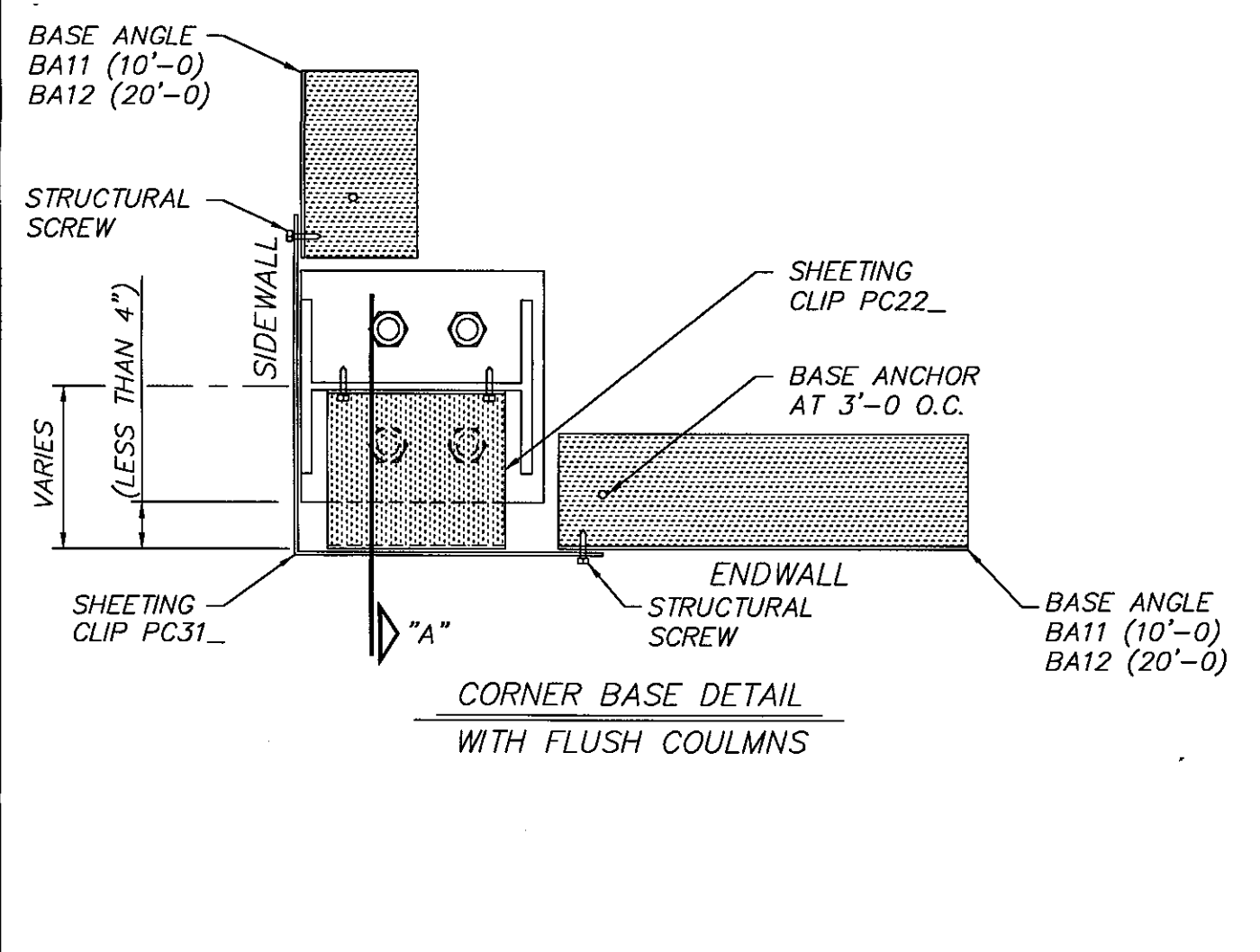
GENERAL NOTES

1. THE BASE ANGLE IS AN OPTIONAL BASE CONDITION THAT DOES NOT HAVE TO BE CAST-IN-PLACE.
2. BASE ANGLE IS SUPPLIED IN 10'-0 OR 20'-0 LENGTHS. MODIFICATIONS SUCH AS CUTTING AT COLUMNS OR OPENINGS, ARE TO BE HANDLED IN THE FIELD.
3. A CONCRETE NOTCH IS OPTIONAL WITH BASE ANGLE. (REFER TO APPROPRIATE ANCHOR BOLT LAYOUT.)
4. BASE ANCHORING FASTENERS ARE NOT FURNISHED BY STAR BUILDING SYSTEMS.

NOTE: (IF POWER DRIVEN FASTENERS ARE USED)

POWER DRIVEN FASTENERS MAY BE USED FOR THE ATTACHMENT OF BASE MEMBER TO CONCRETE IN LIEU OF 1/2" Ø ANCHOR BOLTS UNDER THE FOLLOWING CONDITIONS:

1. FASTENERS ARE SPACED A MAXIMUM OF 3'-0 APART.
2. MINIMUM 2500 PSI CONCRETE IS USED.
3. STAR BASE ANGLE MATERIAL IS USED.
4. CONCRETE IS NOT CRACKED AND SPALLING DOES NOT OCCUR AT THE FASTENER.
5. A HILTI MK-DX SERIES FASTENER, OR EQUAL, PENETRATING A MINIMUM OF 1" INTO THE CONCRETE IS INSTALLED.
6. LOCAL CODES DO NOT EXCLUDE THEIR USE.



REVISIONS	BY	DATE
6 OMITTED DETAIL AT COLD FORM ENDWALL AND UPDATES DETAILS	DEB	RGB
7 REVISED ANCHOR BOLT QUANTITY AT CORNER AND COLUMN BASE DETAILS		RGB

NOTES

THIS DRAWING IS NOT TO SCALE

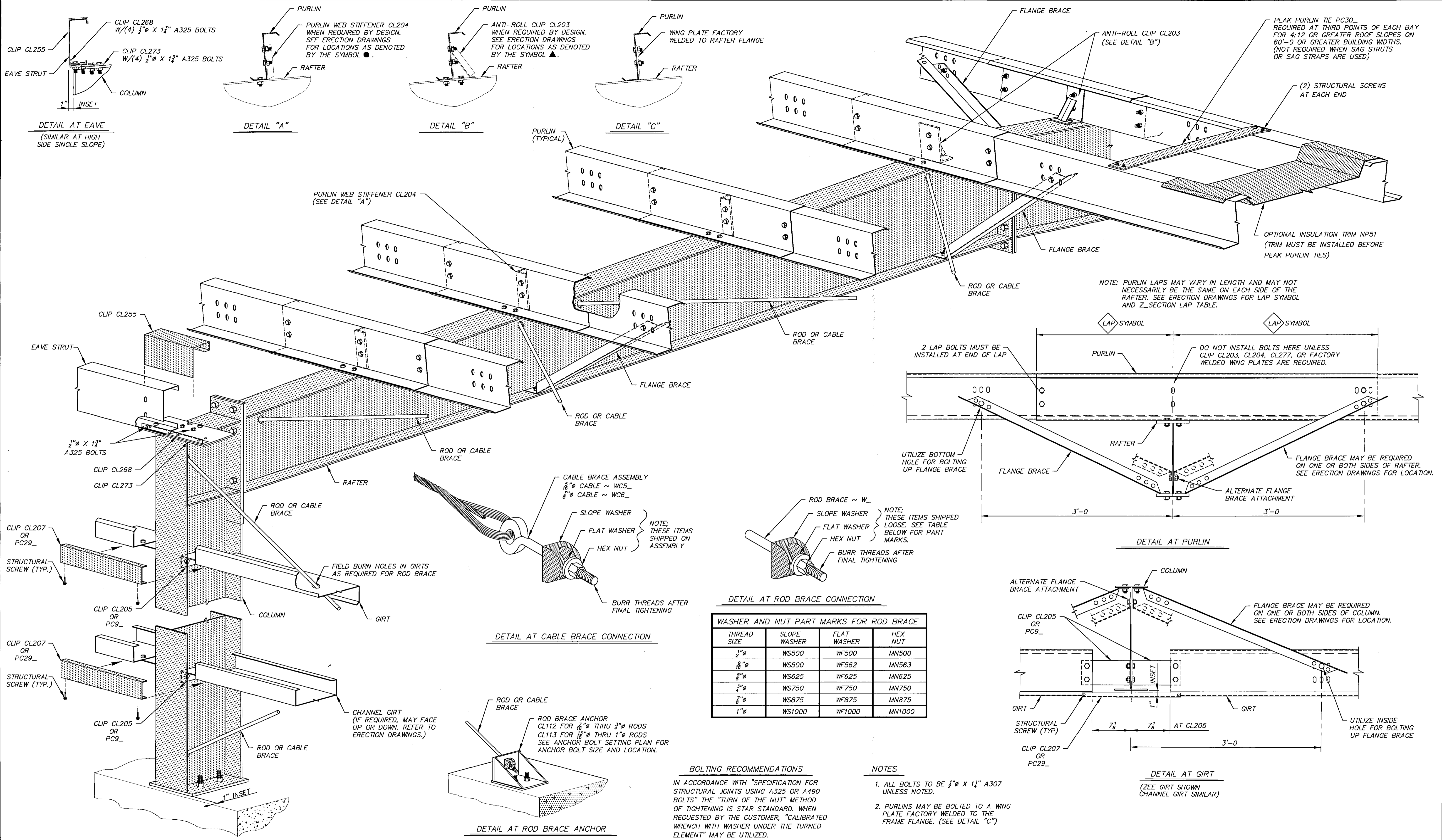
DRN. BY	DATE
JH	7-17-91
CHK. BY	DATE

STAR BUILDING SYSTEMS
 a Robertson Ceco company

BASE ANGLE INSTALLATION DETAILS

10.12.07

7/18/99



REVISIONS	BY	DATE	NOTES
1	RGB		ADDS CABLE BRACE DETAIL AND ROD BRACE WASHER AND NUT TABLE
2	RGB		REVISED "CABLE BRACE DETAIL" AND 9/16" ROD HEX NUT PART MARK

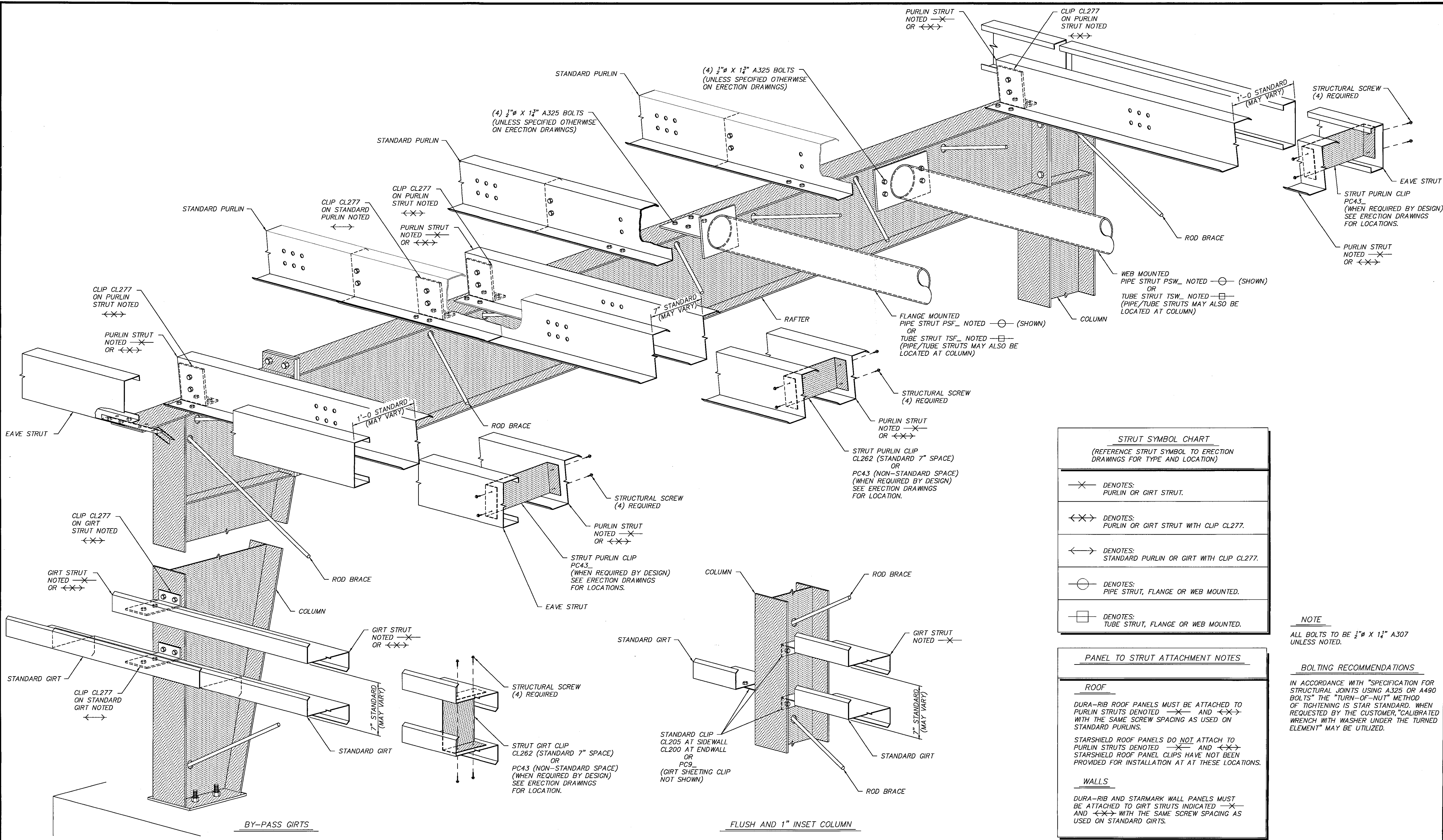
THIS DRAWING IS NOT TO SCALE.

STAR BUILDING SYSTEMS
a Robertson Ceco company



FRAMING DETAILS
WITH
INSET COLUMN

12.11.02
08/20/00



STRUT SYMBOL CHART	
(REFERENCE STRUT SYMBOL TO ERECTION DRAWINGS FOR TYPE AND LOCATION)	
	DENOTES: PURLIN OR GIRT STRUT.
	DENOTES: PURLIN OR GIRT STRUT WITH CLIP CL277.
	DENOTES: STANDARD PURLIN OR GIRT WITH CLIP CL277.
	DENOTES: PIPE STRUT, FLANGE OR WEB MOUNTED.
	DENOTES: TUBE STRUT, FLANGE OR WEB MOUNTED.

NOTE
ALL BOLTS TO BE 1/2" X 1 1/4" A307 UNLESS NOTED.

PANEL TO STRUT ATTACHMENT NOTES	
ROOF	
DURA-RIB ROOF PANELS MUST BE ATTACHED TO PURLIN STRUTS DENOTED AND WITH THE SAME SCREW SPACING AS USED ON STANDARD PURLINS.	
STARSHIELD ROOF PANELS DO NOT ATTACH TO PURLIN STRUTS DENOTED AND STARSHIELD ROOF PANEL CLIPS HAVE NOT BEEN PROVIDED FOR INSTALLATION AT THESE LOCATIONS.	
WALLS	
DURA-RIB AND STARMARK WALL PANELS MUST BE ATTACHED TO GIRT STRUTS INDICATED AND WITH THE SAME SCREW SPACING AS USED ON STANDARD GIRTS.	

BOLTING RECOMMENDATIONS
IN ACCORDANCE WITH "SPECIFICATION FOR STRUCTURAL JOINTS USING A325 OR A490 BOLTS" THE "TURN-OF-NUT" METHOD OF TIGHTENING IS STAR STANDARD. WHEN REQUESTED BY THE CUSTOMER, "CALIBRATED WRENCH WITH WASHER UNDER THE TURNED ELEMENT" MAY BE UTILIZED.

REVISIONS	BY	DATE	NOTES
1	RGB		CORRECTS "PANEL TO STRUT ATTACHMENT NOTES"

THIS DRAWING IS NOT TO SCALE.

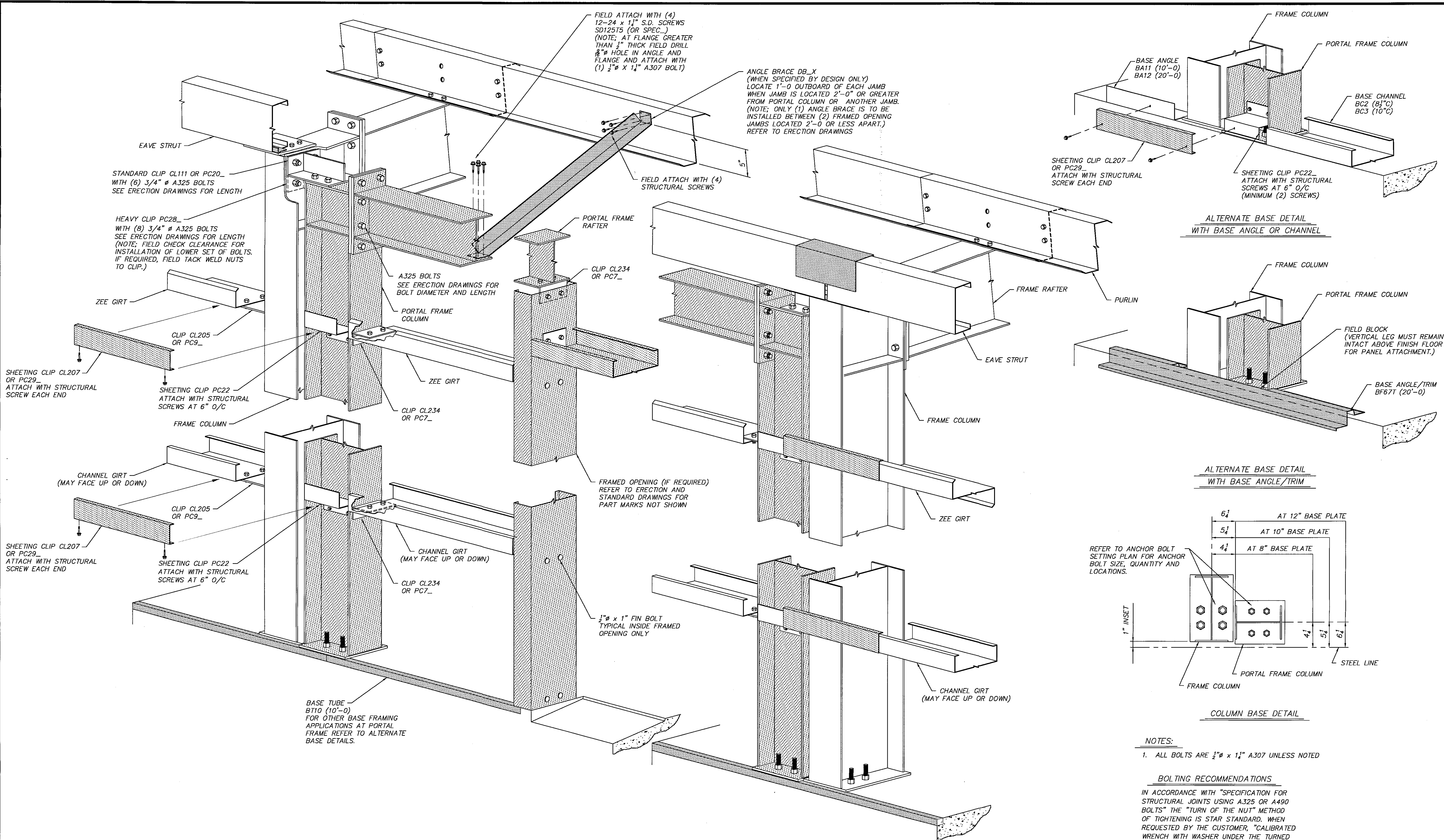
DRN. BY	DATE
REF	
CHK. BY	DATE
RGB	

STAR BUILDING SYSTEMS
a Robertson Ceco company



STANDARD STRUT FRAMING DETAILS

14.11.01
2/21/99



REVISIONS	BY	DATE	NOTES
△	OMITS NOTE AT "ALTERNATE BASE DETAIL W/ BASE ANGLE/TRIM"	RGB	

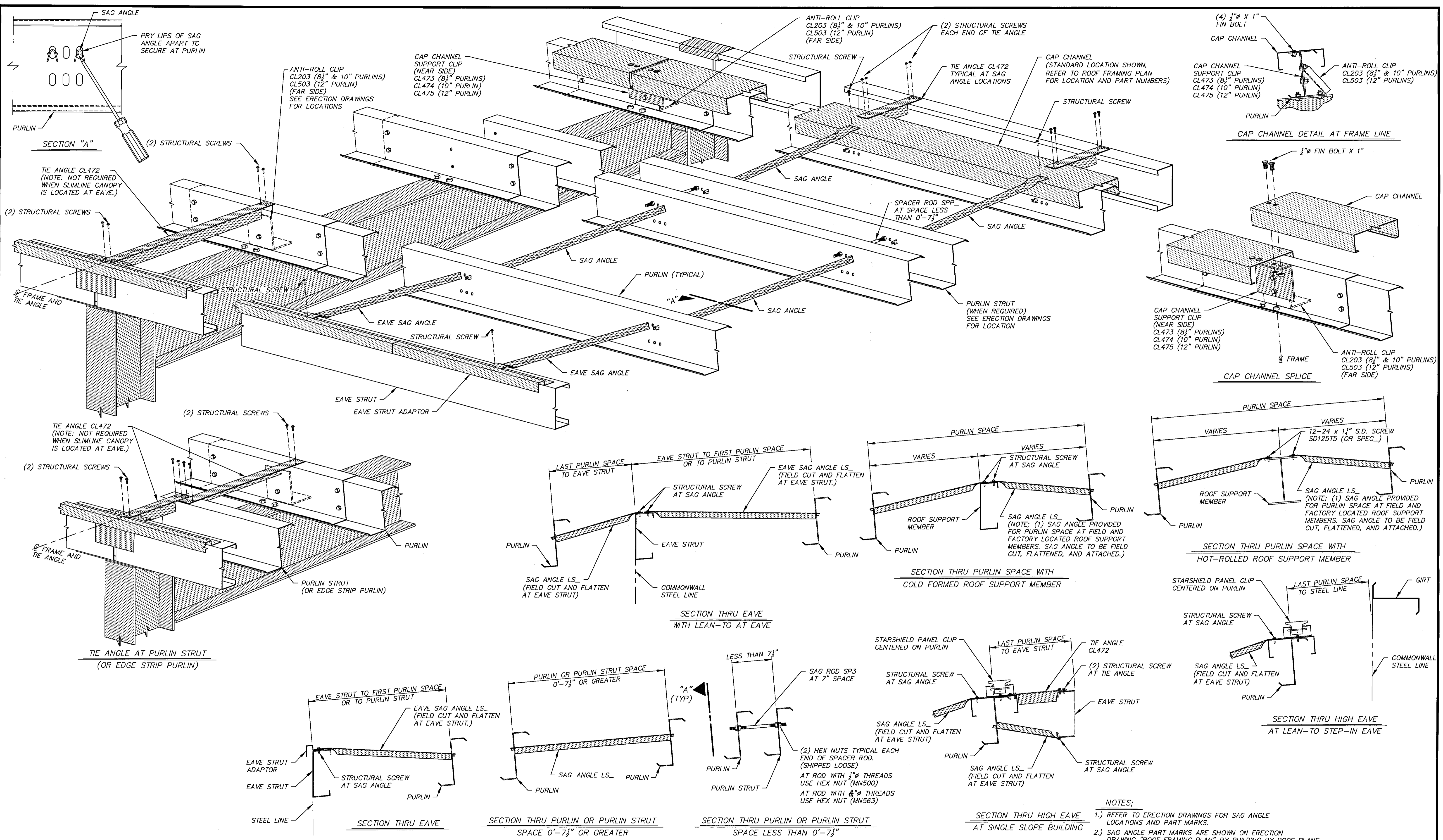
DRN. BY	DATE
RGB	
CHK. BY	DATE

STAR BUILDING SYSTEMS

a Robertson Ceco company



PORTAL FRAME DETAILS WITH INSET COLUMNS	14.40.01
PORTAL FRAME IN GIRT LINE	09/03/00

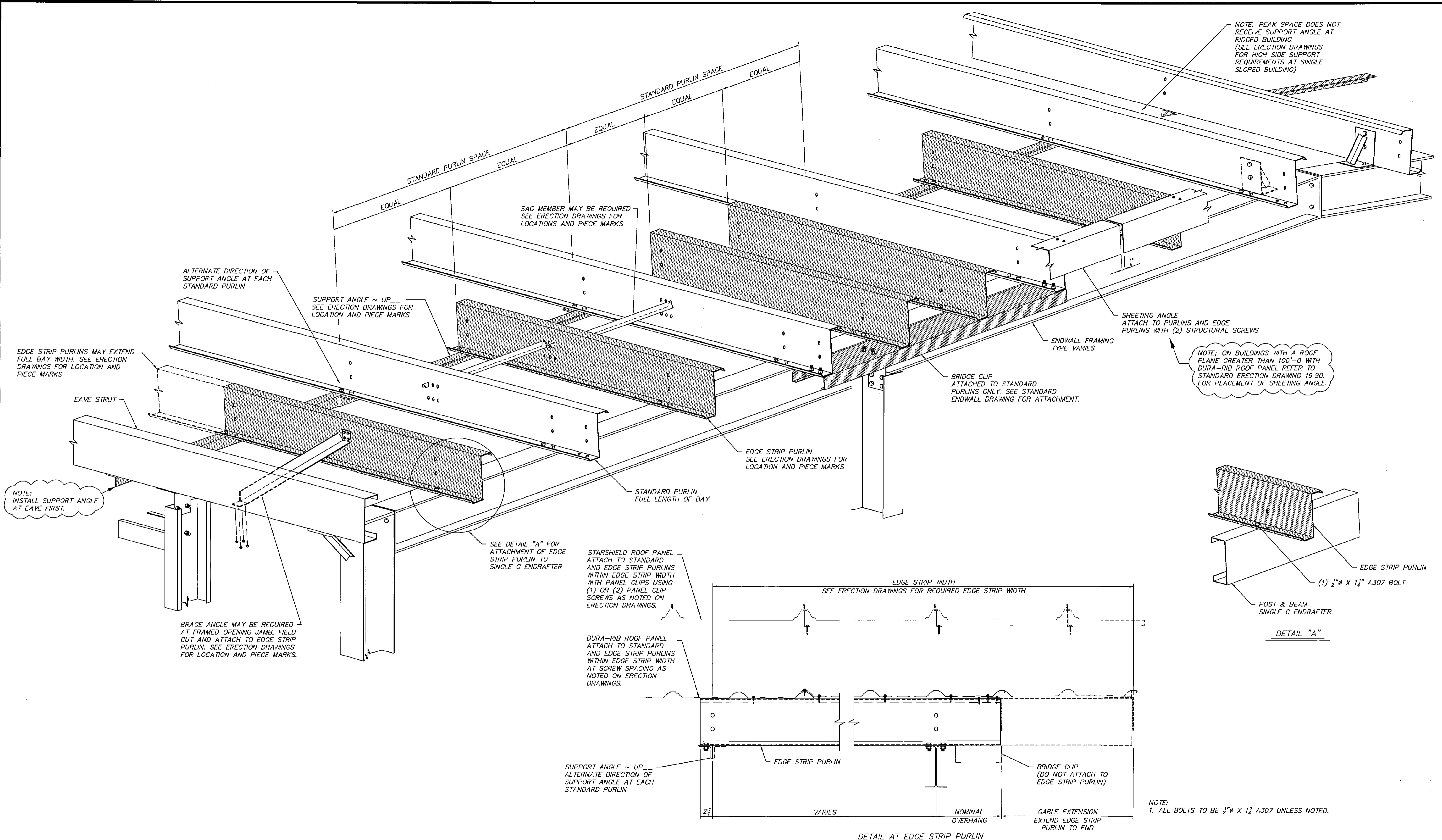


NOTES:
 1.) REFER TO ERECTION DRAWINGS FOR SAG ANGLE LOCATIONS AND PART MARKS.
 2.) SAG ANGLE PART MARKS ARE SHOWN ON ERECTION DRAWING "ROOF FRAMING PLAN" BY BUILDING BY ROOF PLANE.

REVISIONS	BY	DATE	NOTES
1. NOTED HEX NUTS ON RODS SHIPPED LOOSE AND ADDED NOTES	RGB		
2. Corrects Nut Pc. Mk. for Rod w/ 3/8" Thrs. & adds 12" Purlin Clips	RGB		
3. Corrects Cap Channel Support Clip for 12" Purlin	RGB		
4. Adds "Tie Angle at Purlin Strut" detail	RGB		
5. Revised Note at Anti-Roll Clip at Eave Purlin	RGB		

THIS DRAWING IS NOT TO SCALE.

DRN. BY RGB	DATE	<h1>STAR BUILDING SYSTEMS</h1> <p>a Robertson Ceco company</p> 	<p>ROOF PURLIN SAG ANGLE DETAILS SINGLE SLOPE WITH CAP CHANNEL</p>	17.03.05
CHK. BY	DATE			08/19/01
MTG, LKF, ELZ				



REVISIONS	BY	DATE	NOTES
△ CORRECTS BOLT LENGTH AT DETAIL "A" AND ADDS NOTE	RGB		

THIS DRAWING IS NOT TO SCALE.

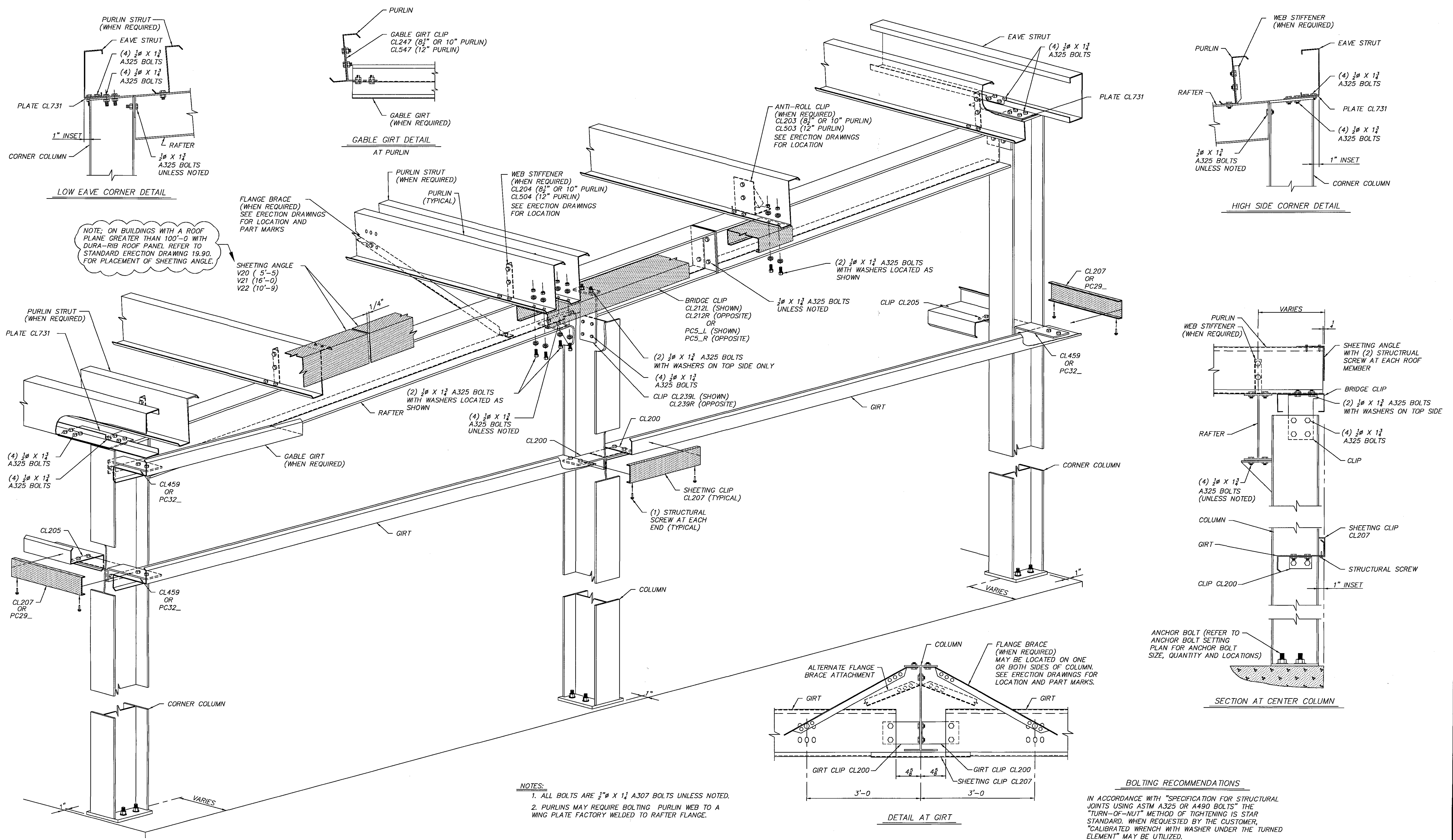
DRN. BY: RF
 DATE: _____
 CHK. BY: _____
 DATE: _____

STAR BUILDING SYSTEMS
 a Robertson Ceco company

EDGE STRIP PURLIN DETAILS

17.37.01

1/30/00



REVISIONS	BY	DATE	NOTES
1. REPLACED PLATE CL273 W/CL731, DELETED CLIP CL268, & ADDS NOTE	RGB		
2. ADDED NOTES AND CLIP PART MARKS FOR 12" ROOF PURLINS	RGB		

THIS DRAWING IS NOT TO SCALE.

DRN. BY DLD	DATE
CHK. BY RB	DATE
XDS	

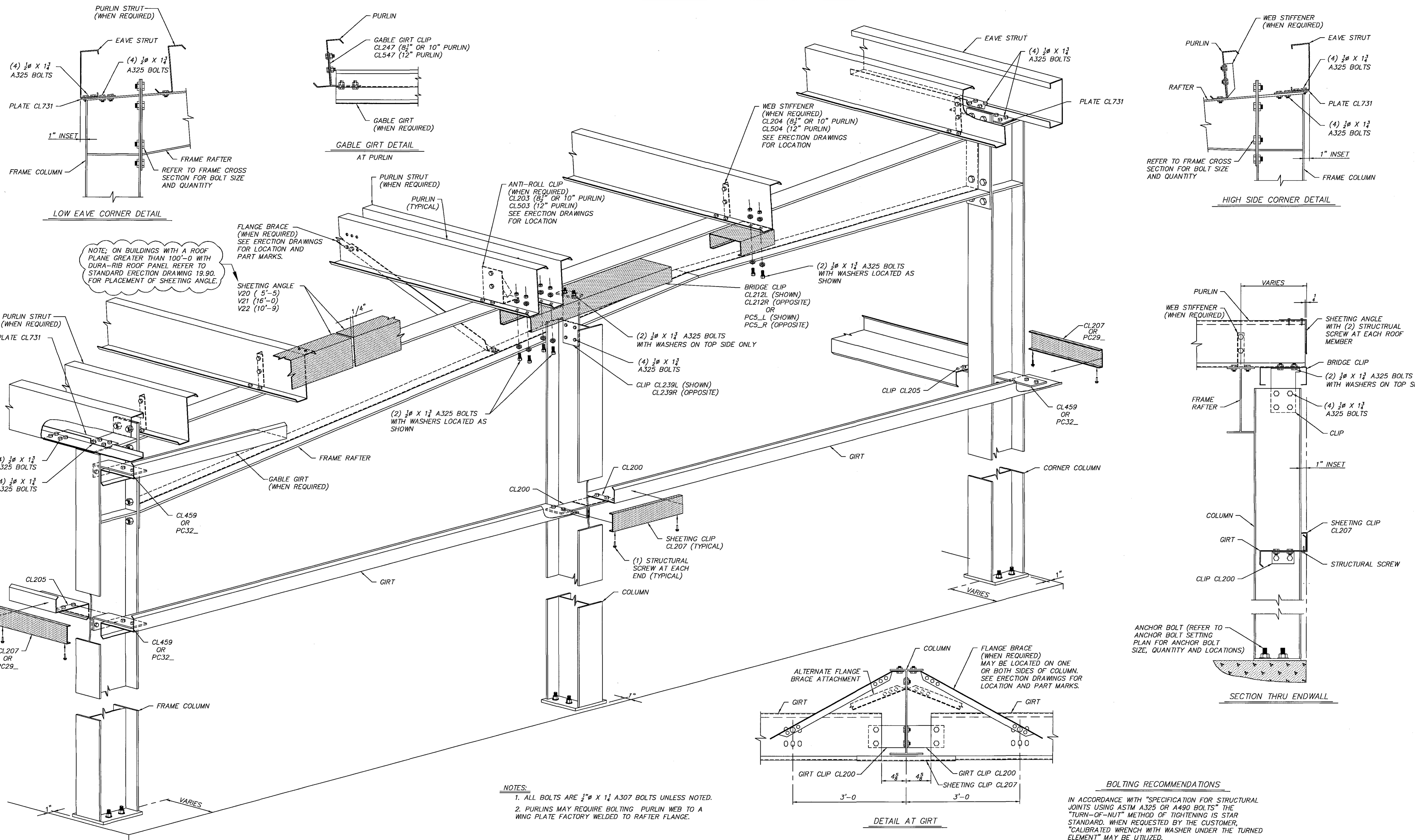
STAR BUILDING SYSTEMS

a Robertson Ceco company

SINGLE SLOPE BEARING END FRAME WITH INSET COLUMNS

19.06.02

08/20/00



NOTE: ON BUILDINGS WITH A ROOF PLANE GREATER THAN 100'-0" WITH DURA-RIB ROOF PANEL REFER TO STANDARD ERECTION DRAWING 19.90 FOR PLACEMENT OF SHEETING ANGLE.

- NOTES:**
1. ALL BOLTS ARE 1/2" X 1 1/4" A307 BOLTS UNLESS NOTED.
 2. PURLINS MAY REQUIRE BOLTING PURLIN WEB TO A WING PLATE FACTORY WELDED TO RAFTER FLANGE.

BOLTING RECOMMENDATIONS

IN ACCORDANCE WITH "SPECIFICATION FOR STRUCTURAL JOINTS USING ASTM A325 OR A490 BOLTS" THE "TURN-OF-NUT" METHOD OF TIGHTENING IS STAR STANDARD. WHEN REQUESTED BY THE CUSTOMER, "CALIBRATED WRENCH WITH WASHER UNDER THE TURNED ELEMENT" MAY BE UTILIZED.

REVISIONS	BY	DATE	NOTES
REPLACED PLATE CL273 W/CL731, DELETED CLIP CL268, & ADDS NOTE	RGB		
ADDED NOTES AND CLIP PART MARKS FOR 12" ROOF PURLINS	RGB		

THIS DRAWING NOT TO SCALE

DRN. BY DLD	DATE
CHK. BY RB	DATE
XDS	

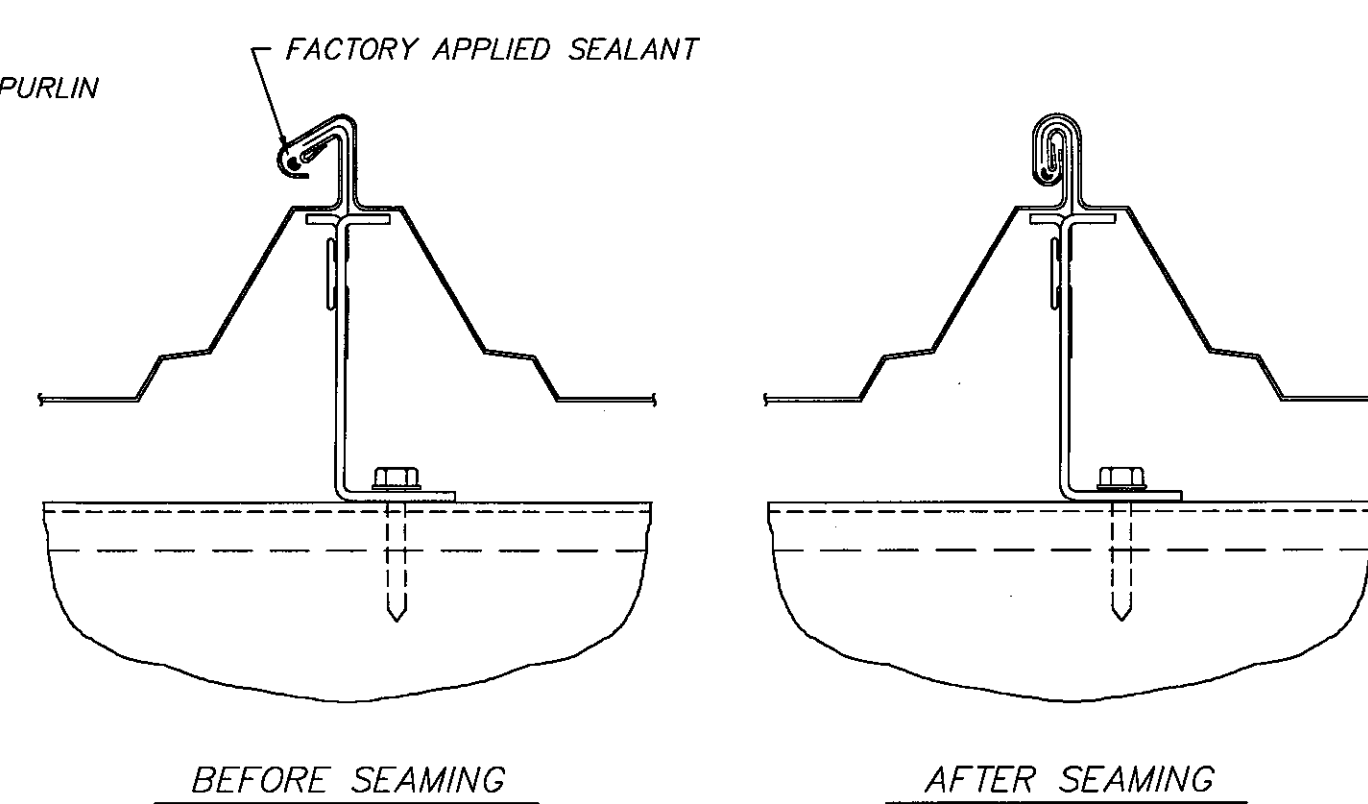
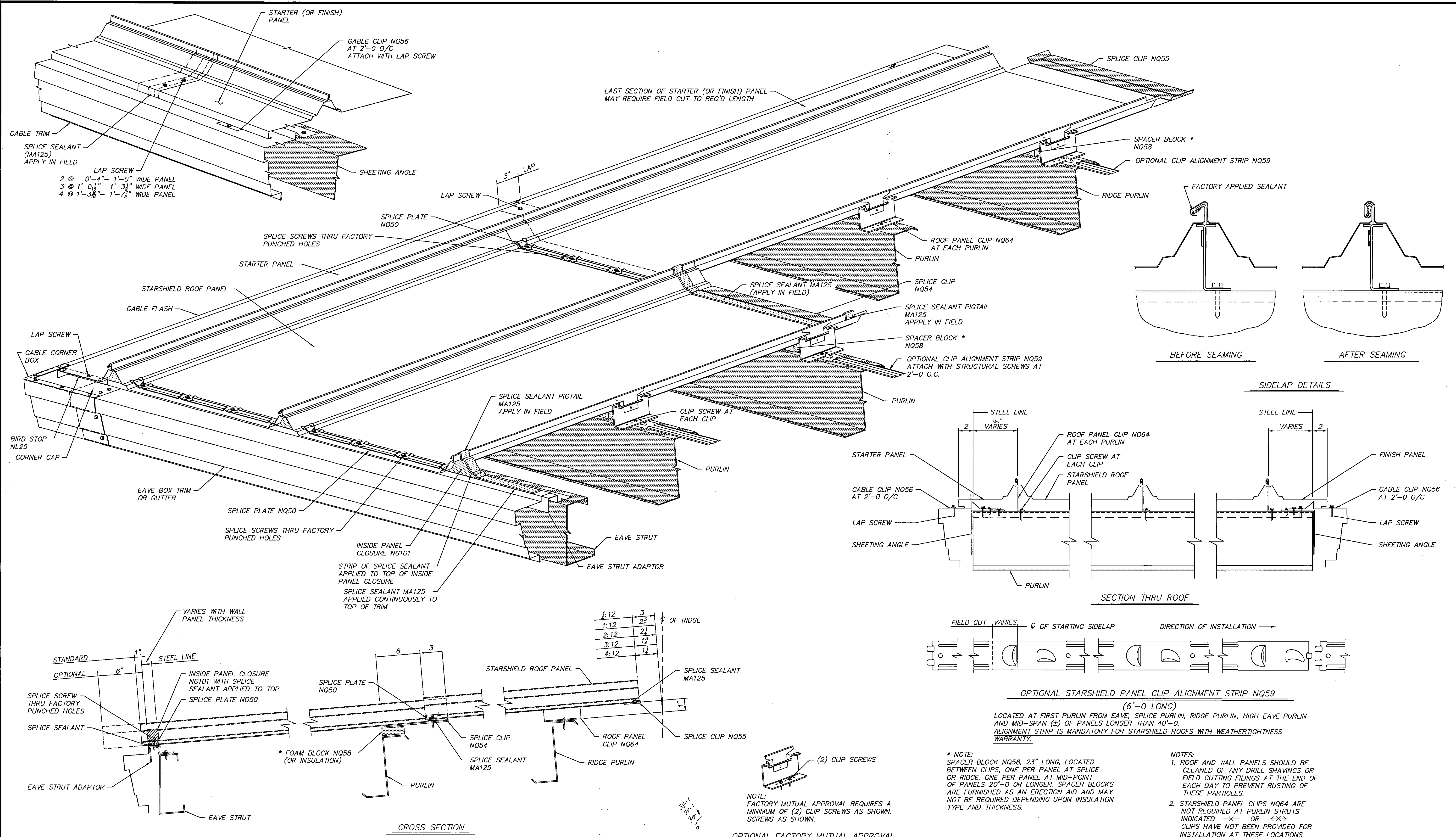
STAR BUILDING SYSTEMS
a Robertson Ceco company



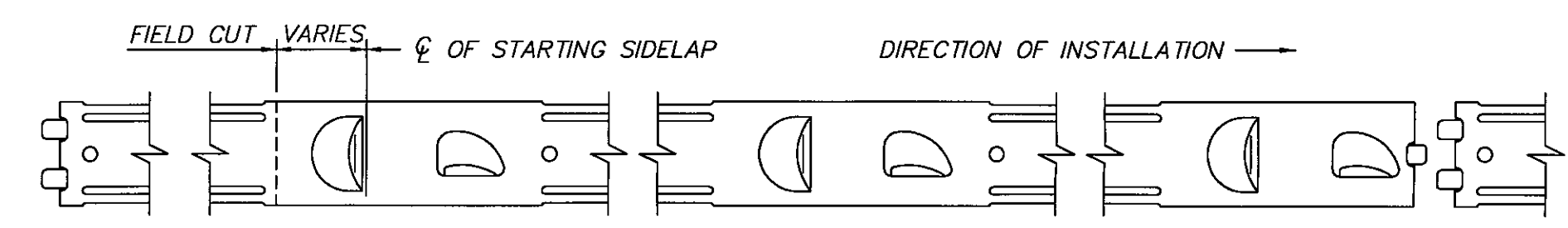
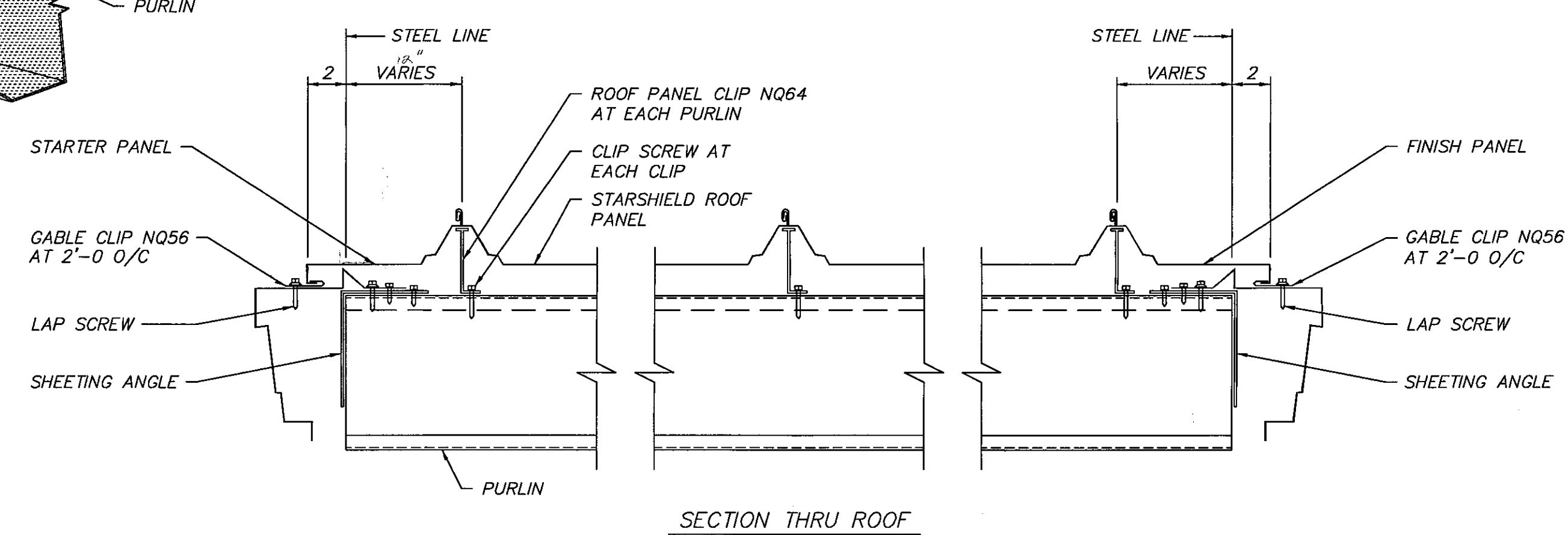
SINGLE SLOPE RIGID END FRAME WITH INSET COLUMNS

19.16.02

08/20/00



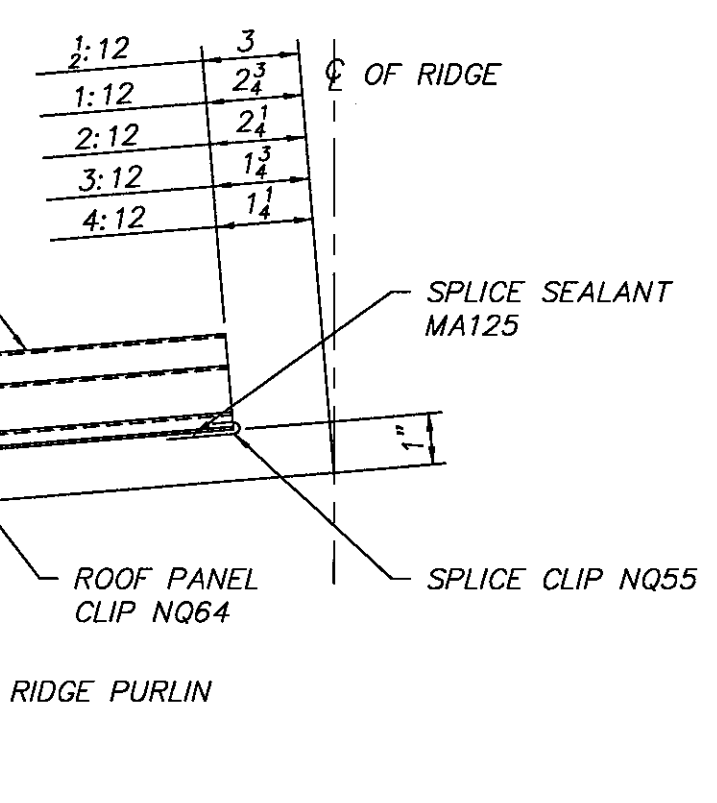
SIDLAP DETAILS



OPTIONAL STARSHIELD PANEL CLIP ALIGNMENT STRIP NQ59
(6'-0" LONG)
LOCATED AT FIRST PURLIN FROM EAVE, SPLICE PURLIN, RIDGE PURLIN, HIGH EAVE PURLIN AND MID-SPAN (±) OF PANELS LONGER THAN 40'-0".
ALIGNMENT STRIP IS MANDATORY FOR STARSHIELD ROOFS WITH WEATHERTIGHTNESS WARRANTY.

* NOTE:
SPACER BLOCK NQ58, 23" LONG, LOCATED BETWEEN CLIPS, ONE PER PANEL AT SPLICE OR RIDGE. ONE PER PANEL AT MID-POINT OF PANELS 20'-0" OR LONGER. SPACER BLOCKS ARE FURNISHED AS AN ERECTION AID AND MAY NOT BE REQUIRED DEPENDING UPON INSULATION TYPE AND THICKNESS.

NOTES:
1. ROOF AND WALL PANELS SHOULD BE CLEANED OF ANY DRILL SHAVINGS OR FIELD CUTTING FILINGS AT THE END OF EACH DAY TO PREVENT RUSTING OF THESE PARTICLES.
2. STARSHIELD PANEL CLIPS NQ64 ARE NOT REQUIRED AT PURLIN STRUTS INDICATED ← OR → CLIPS HAVE NOT BEEN PROVIDED FOR INSTALLATION AT THESE LOCATIONS.



NOTE:
FACTORY MUTUAL APPROVAL REQUIRES A MINIMUM OF (2) CLIP SCREWS AS SHOWN.

OPTIONAL FACTORY MUTUAL APPROVAL

REVISIONS	BY	DATE	NOTES
ADD SCREW QUANTITY AT START/FINISH PANEL & REVISES NOTE 2	RGB		
Revised Optional Factory Mutual note	RGB		

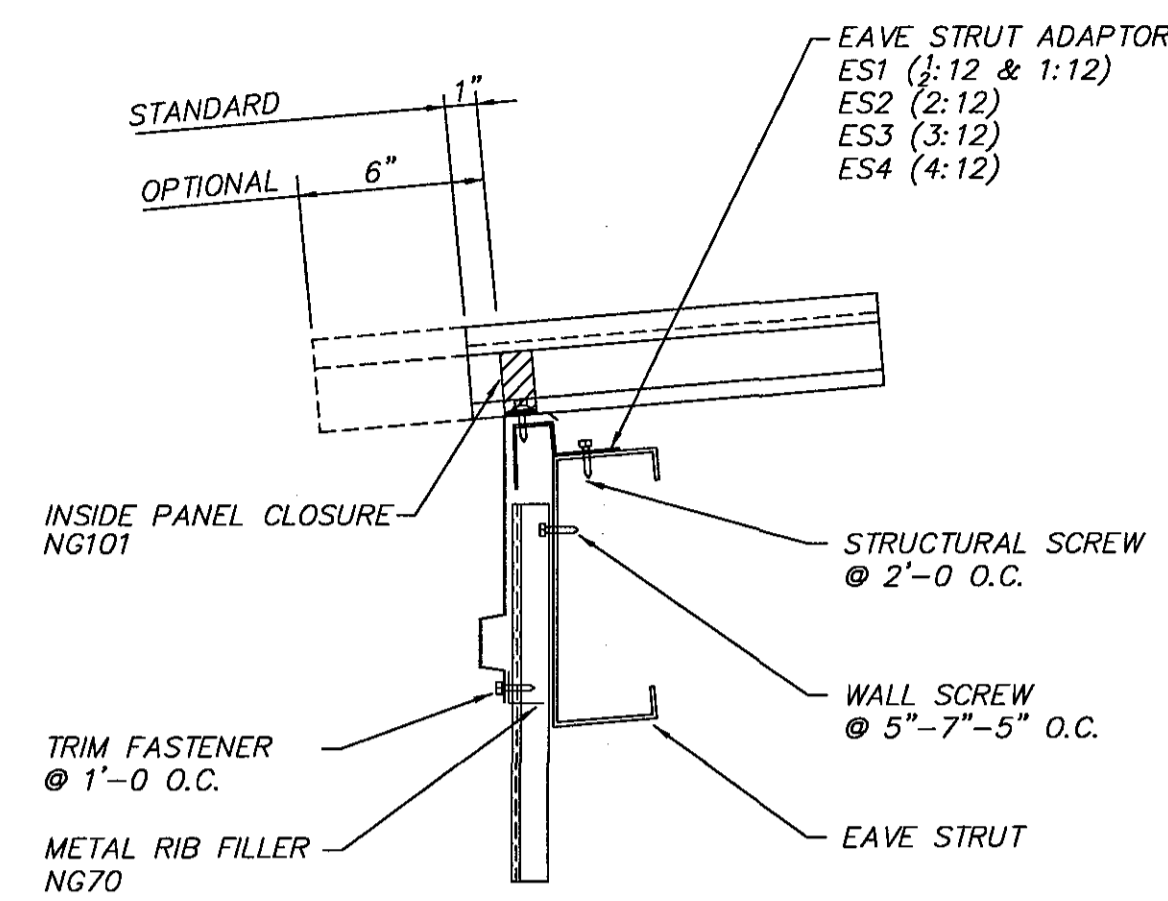
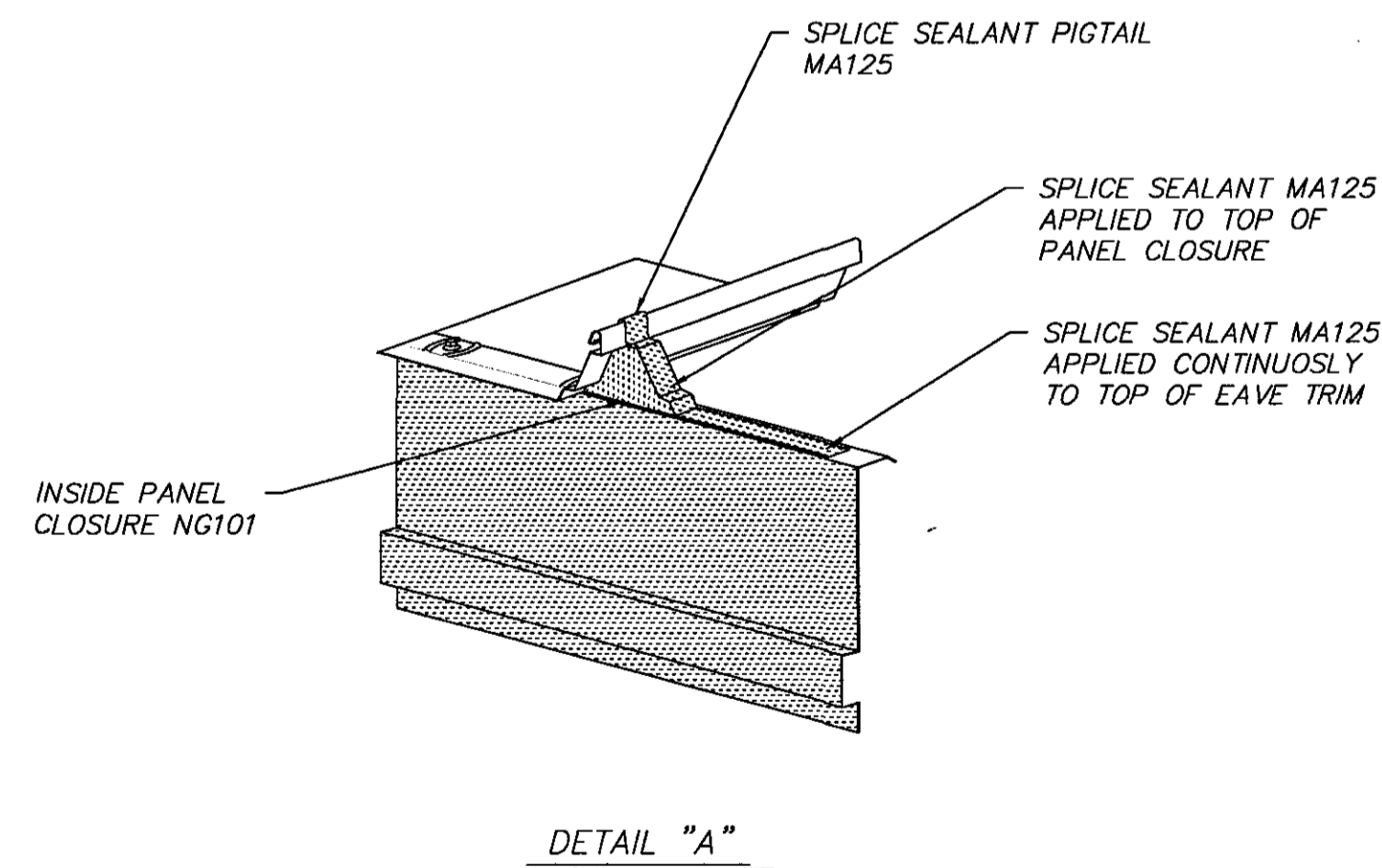
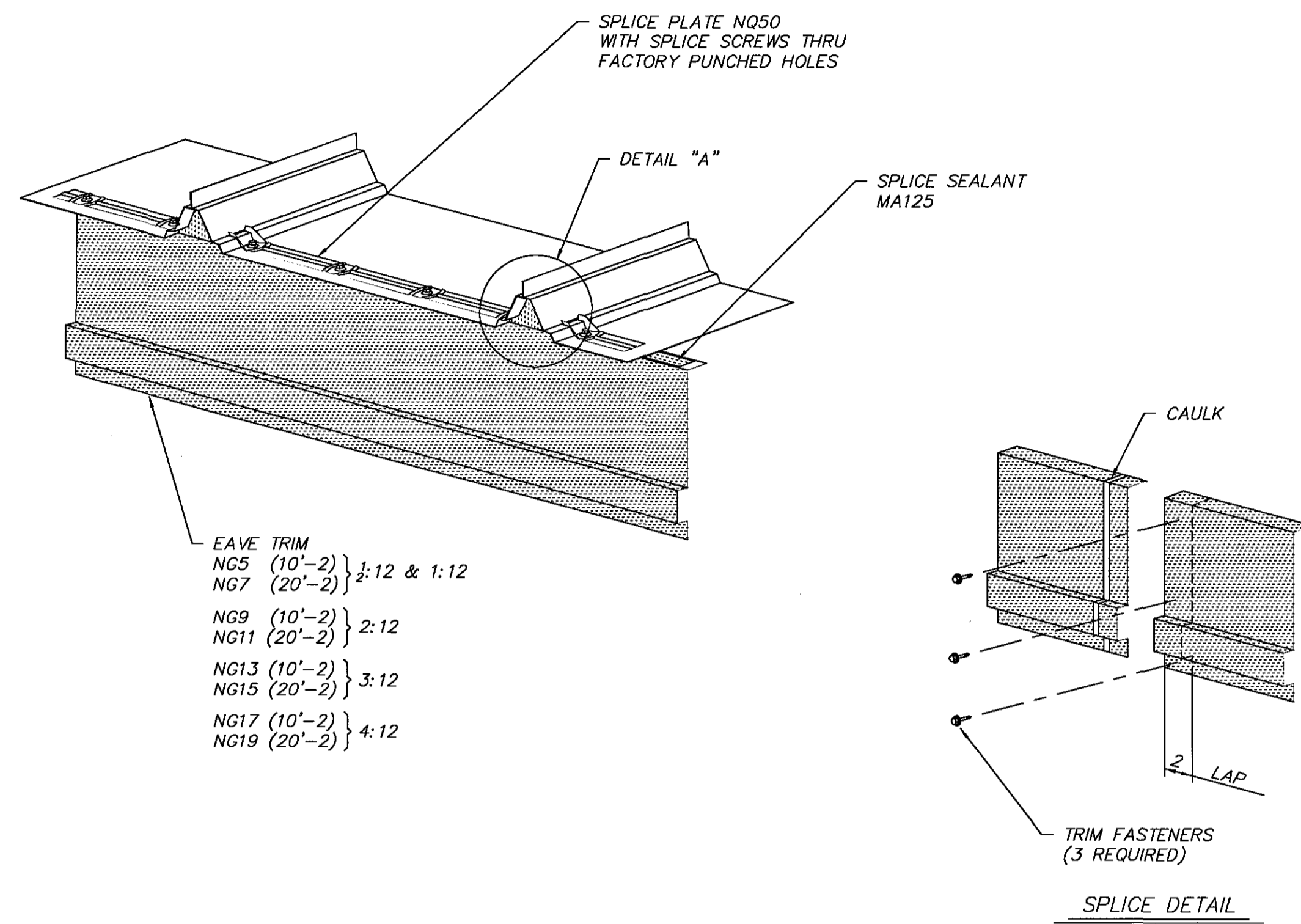
THIS DRAWING IS NOT TO SCALE

DRN. BY	DATE
TH	
CHK. BY	DATE

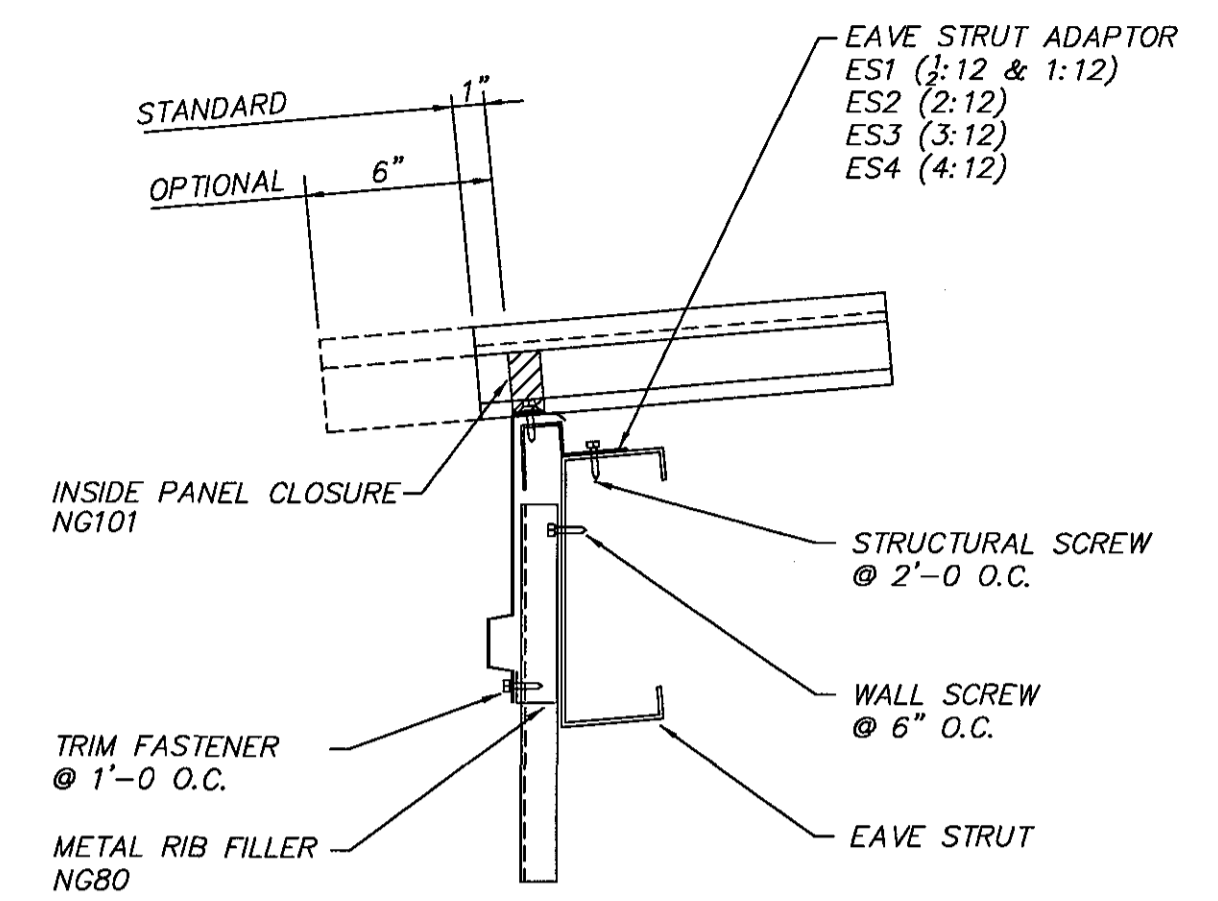
STAR BUILDING SYSTEMS
a Robertson Ceco company

STARSHIELD ROOF CONSTRUCTION DETAILS

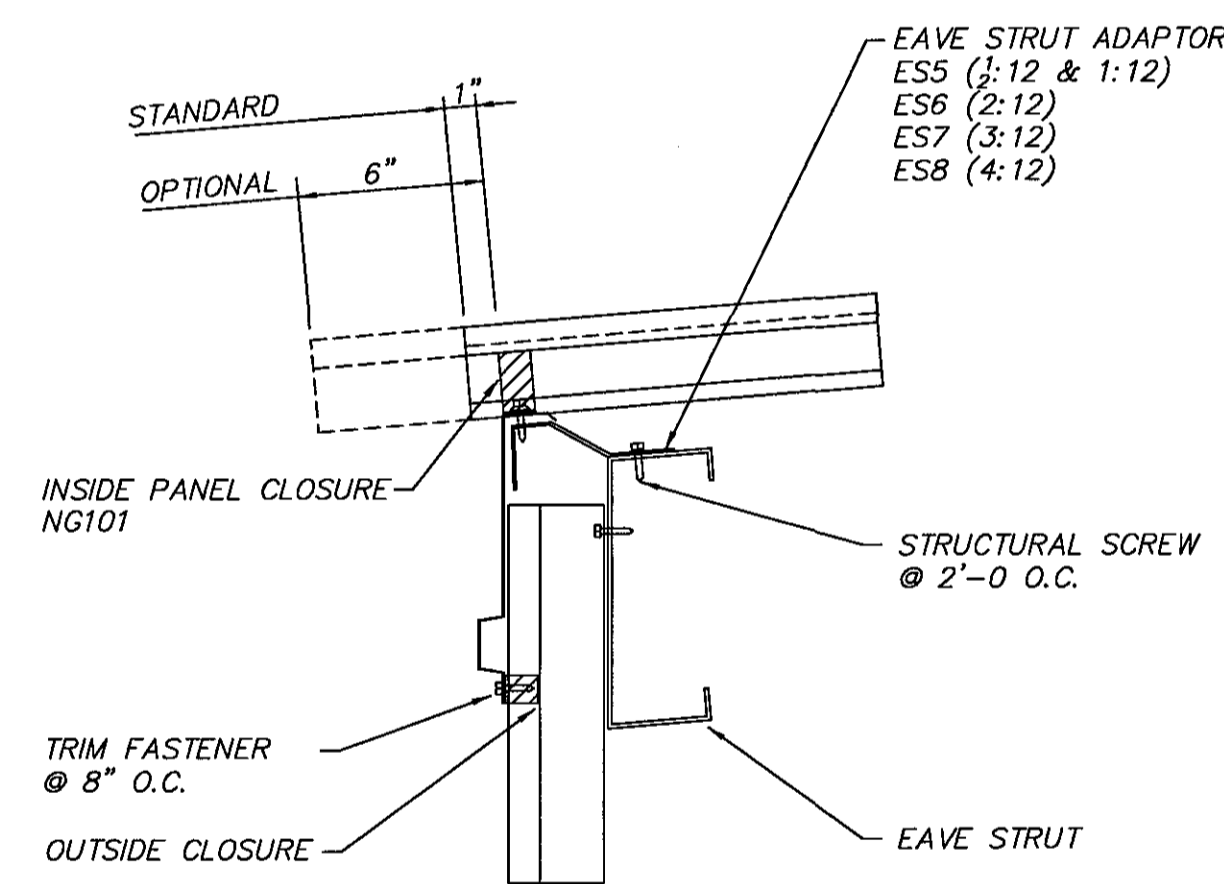
37.01.09
10/28/01



SECTION AT DURA-RIB WALL



SECTION AT STARMARK PANEL



SECTION AT 3" WALL

REVISIONS	BY	DATE
4 GENERAL REVISION	LEC	5/2/93
5 CHANGE TO NEW PART NUMBER SCHEME	LR LEC	1/2/94
6 REDRAWN ON CAD, ADDED OPTIONAL ROOF PANEL EXTENSION	LEC RB	

NOTES

THIS DRAWING IS NOT TO SCALE

DRN. BY	DATE
LEC	
CHK. BY	DATE

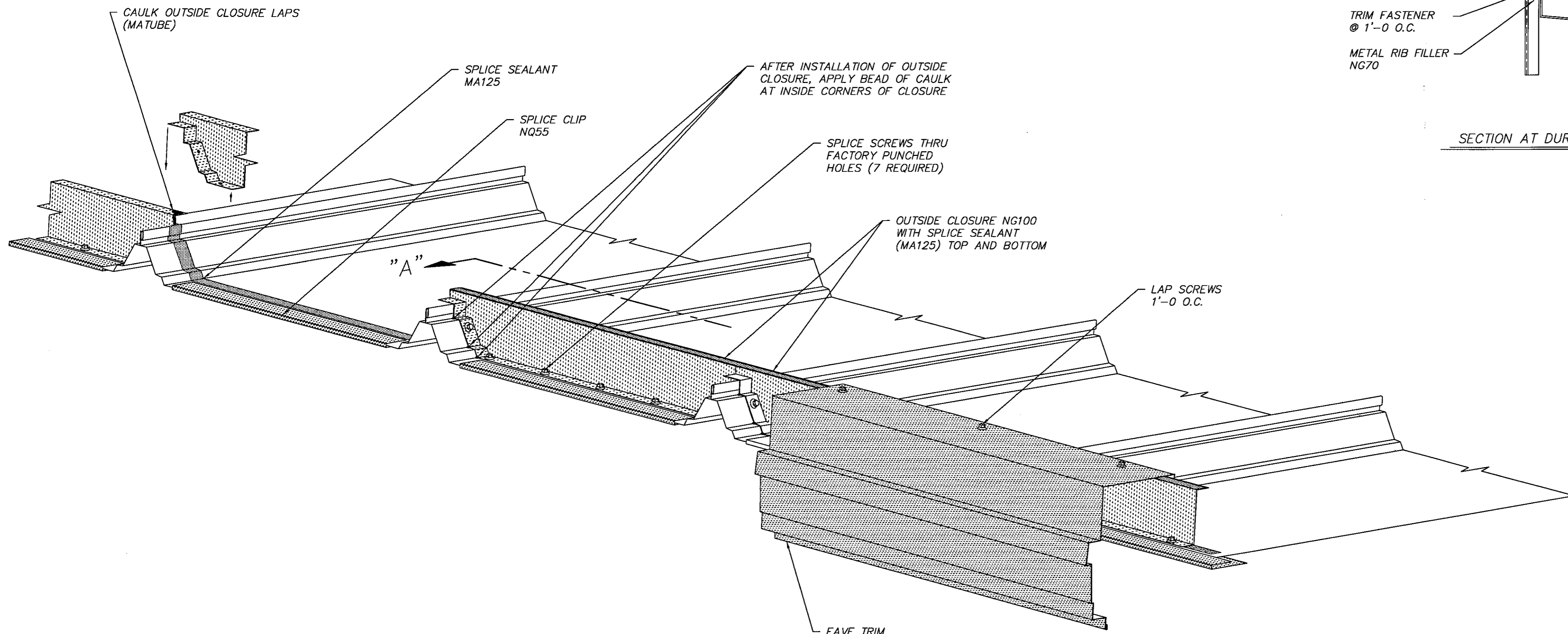
STAR BUILDING SYSTEMS

a Robertson Ceco company

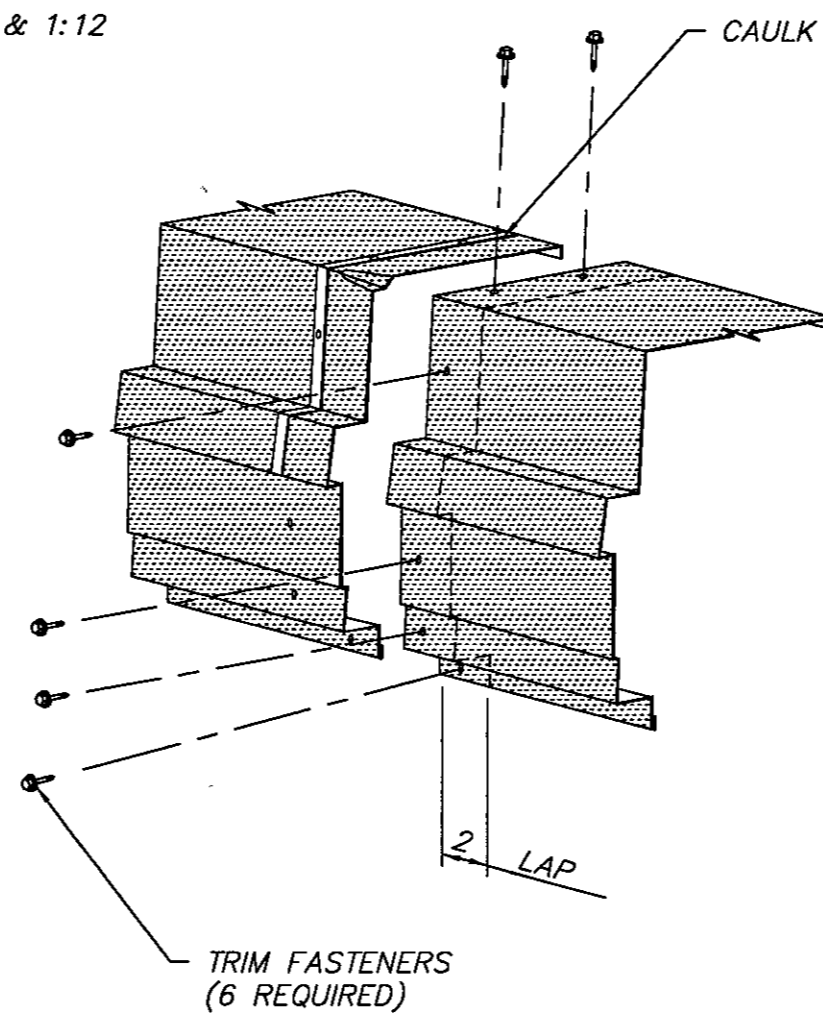
STARSHIELD ROOF EAVE TRIM DETAILS

37.05.06

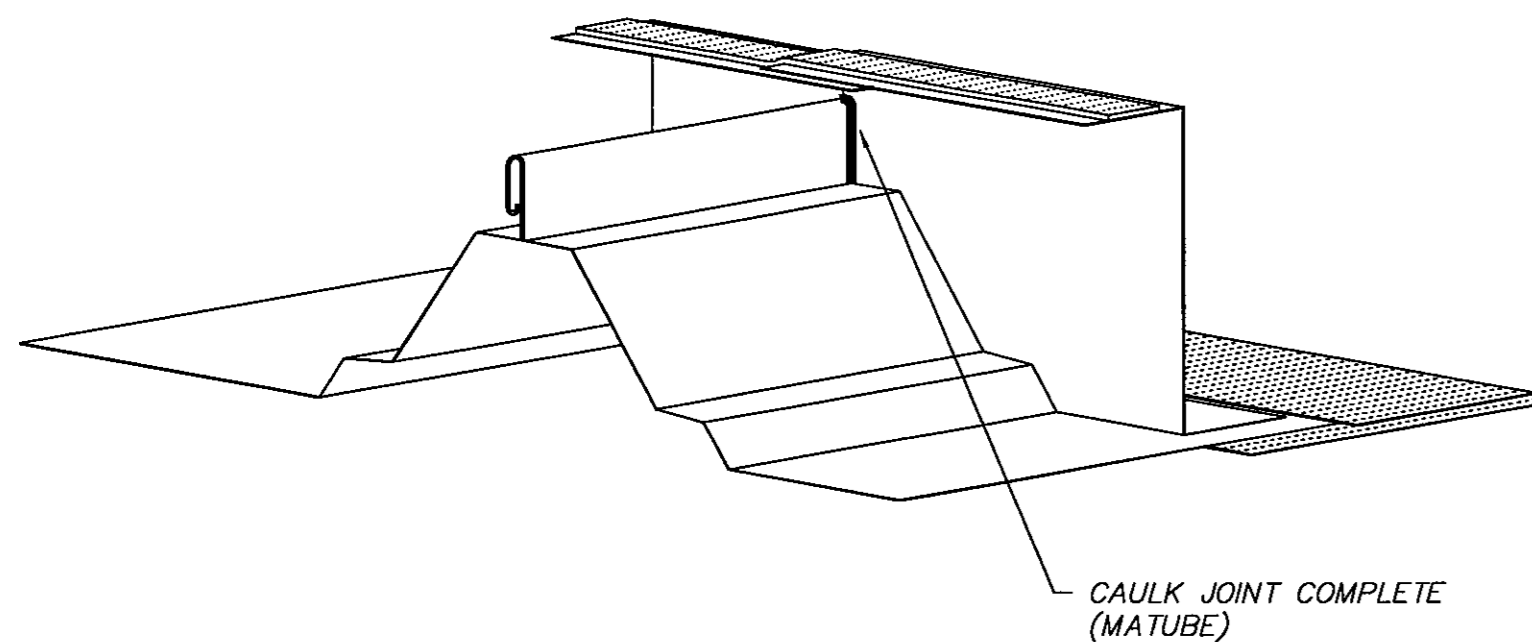
1/1/97



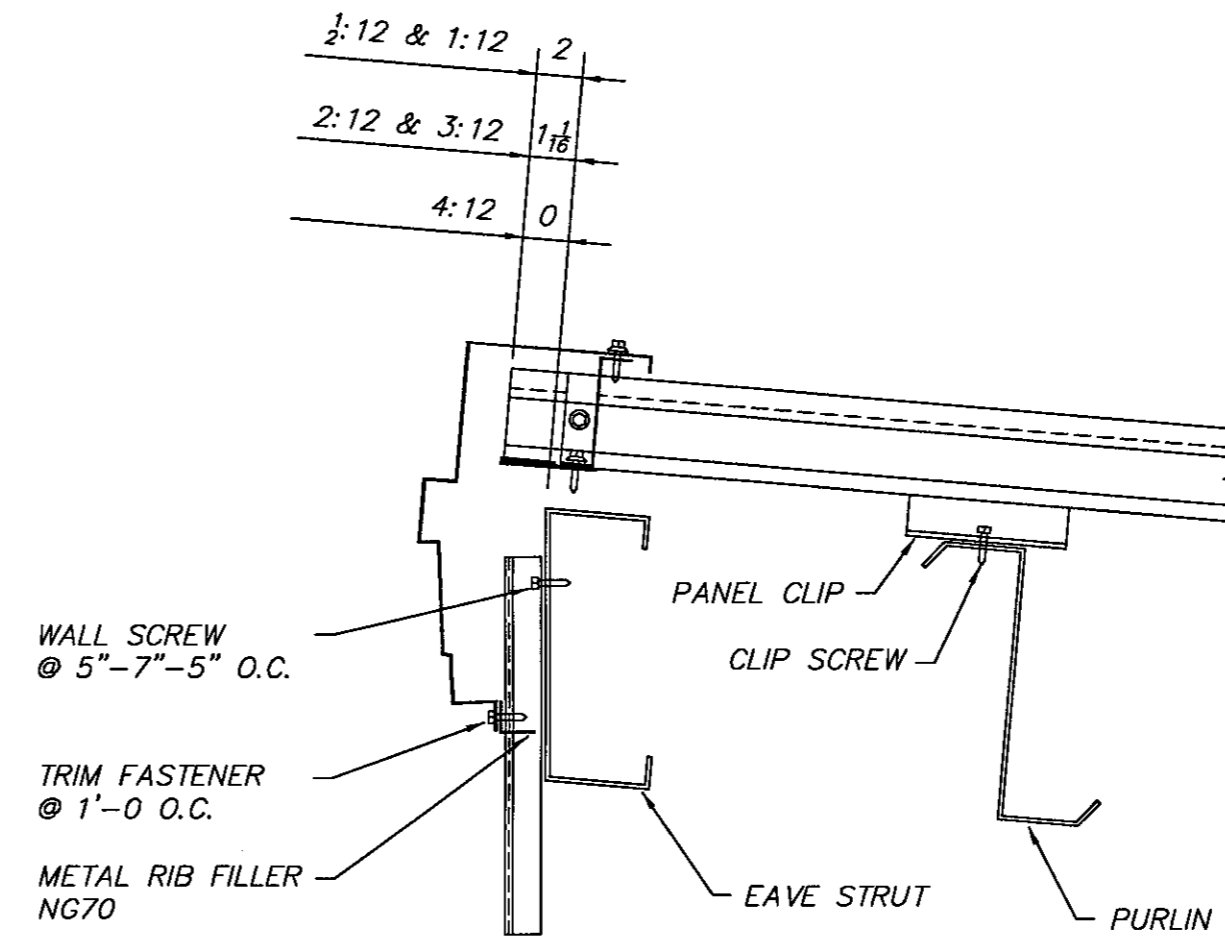
- NE37 (10'-2) } 1/2:12 & 1:12
- NE39 (20'-2) } 1/2:12 & 1:12
- NE40 (10'-2) } 2:12
- NE42 (20'-2) } 2:12
- NE43 (10'-2) } 3:12
- NE45 (20'-2) } 3:12
- NE46 (10'-2) } 4:12
- NE48 (20'-2) } 4:12



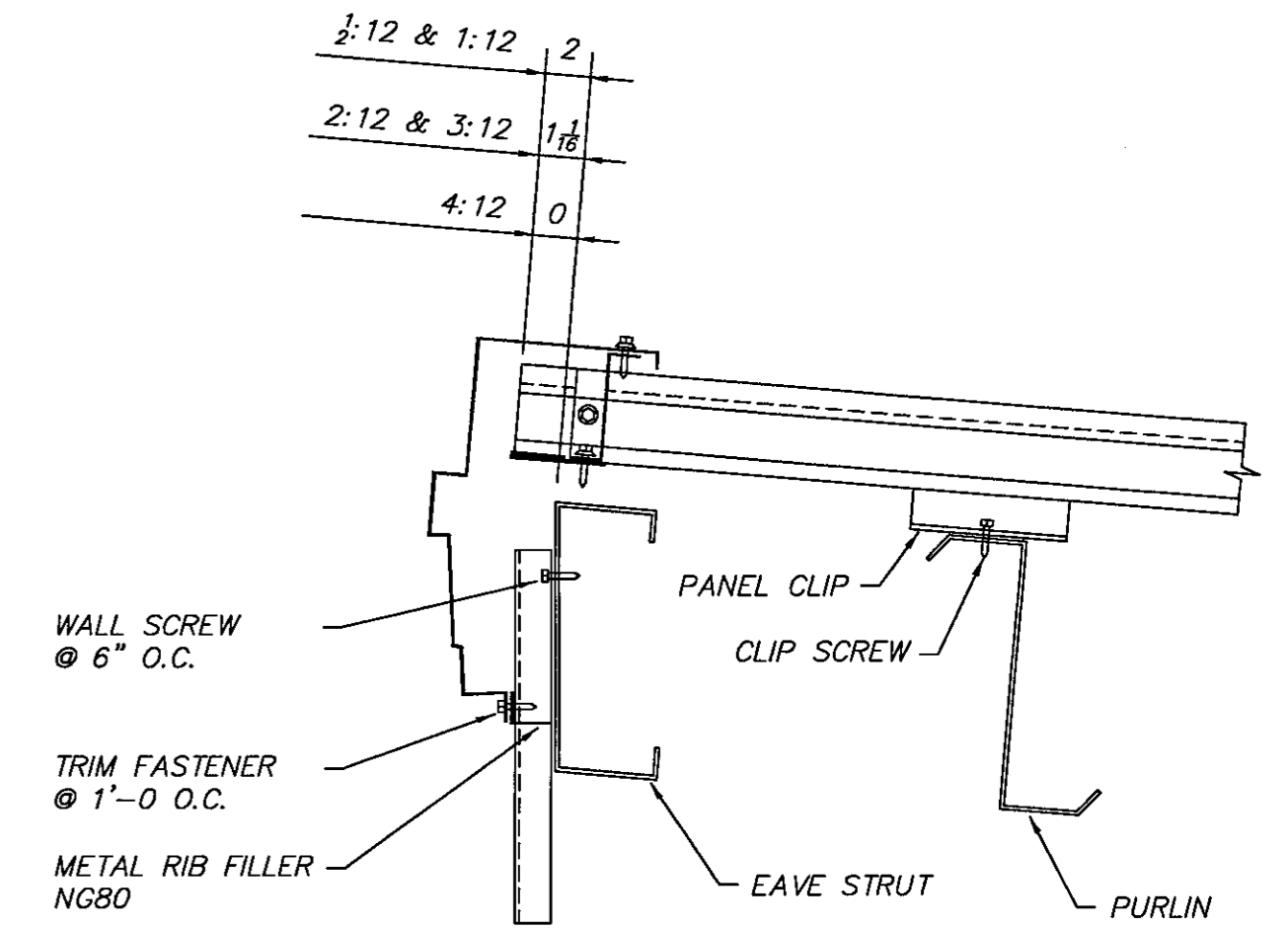
SPLICE DETAIL



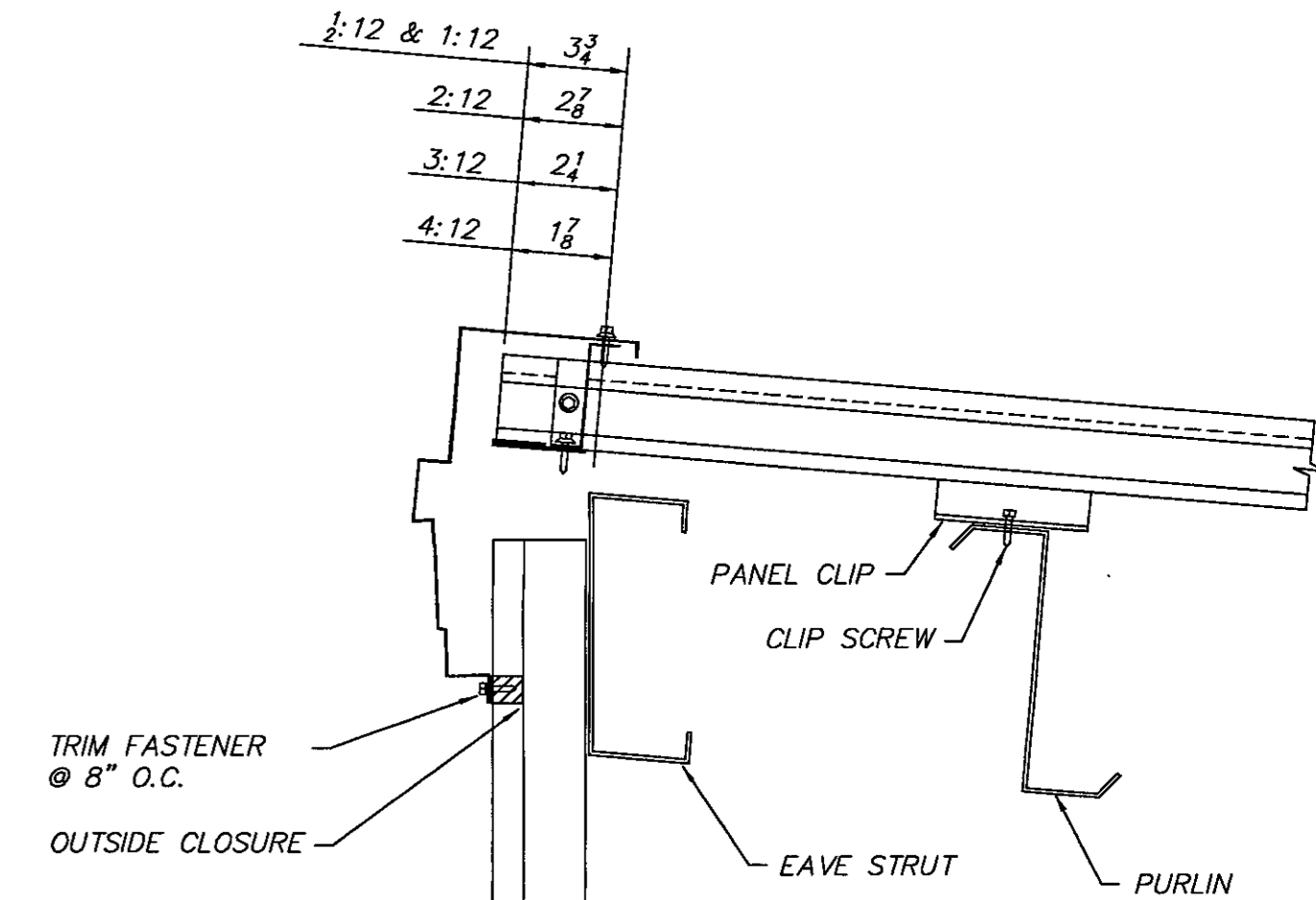
SECTION "A"



SECTION AT DURA-RIB WALL



SECTION AT STARMARK PANEL



SECTION AT 3" WALL

NOTES

- 1.) STAR TRIM PARTS ARE PROVIDED IN STANDARD LENGTHS AND MAY REQUIRE TO BE FIELD CUT TO LENGTH AND THE REMAINDER USED AT A DIFFERENT LOCATION.
- 2.) ROOF AND WALL PANELS SHOULD BE CLEANED OF ANY DRILL SHAVINGS OR FIELD CUTTING FILINGS AT THE END OF EACH DAY TO PREVENT RUSTING OF THESE PARTICLES.

REVISIONS	BY	DATE
1 GENERAL REVISION	LEC	5/2/93
3 CHANGED TO NEW PART NUMBERING SYSTEM	LR	1/2/94
4 REDRAWN ON CAD	LEC	RB
5 ADDS CAULK AT CLOSURES AND CORRECTS NOTES		RB

NOTES

THIS DRAWING IS NOT TO SCALE

DRN. BY	DATE
LEC	
CHK. BY	DATE

STAR BUILDING SYSTEMS

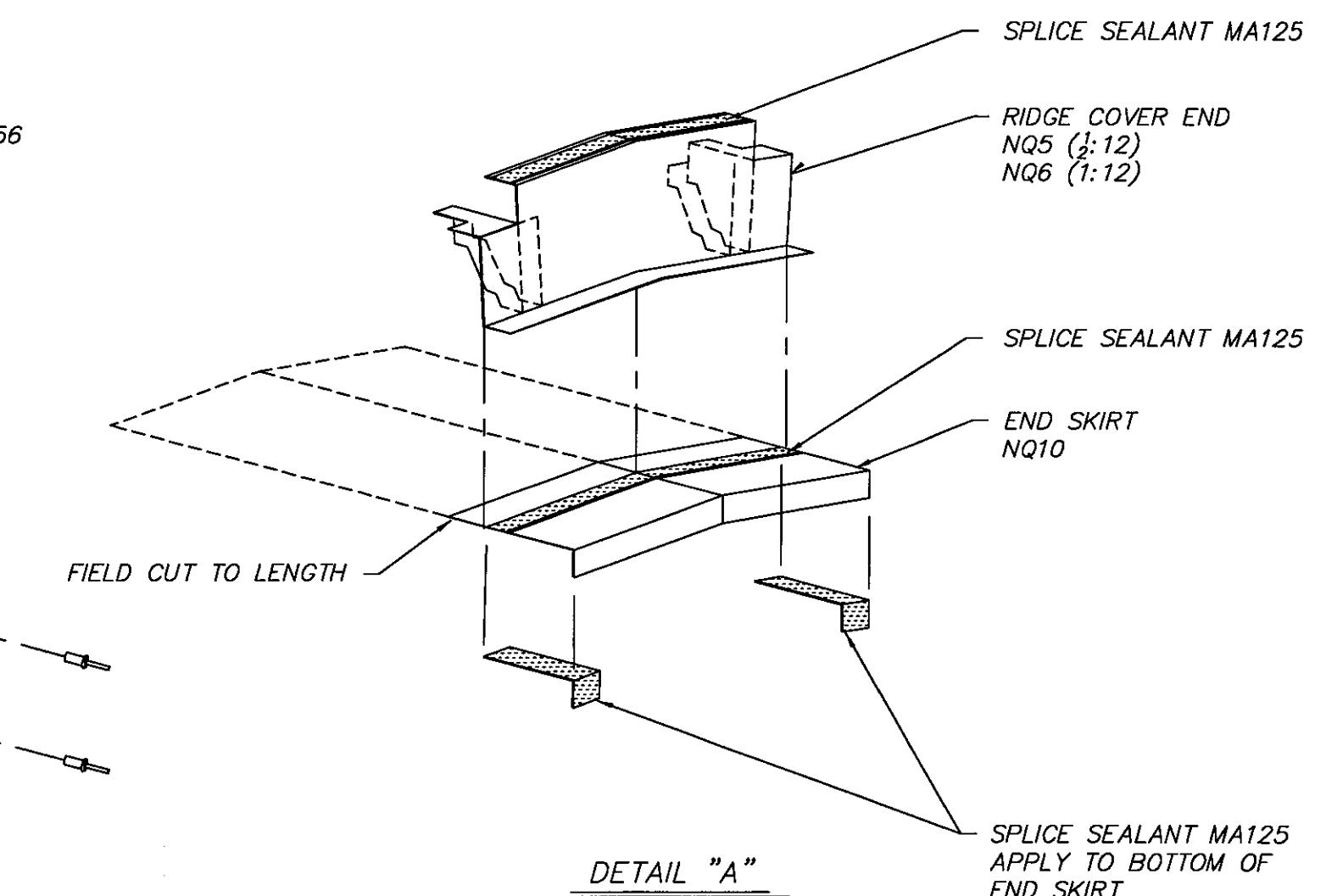
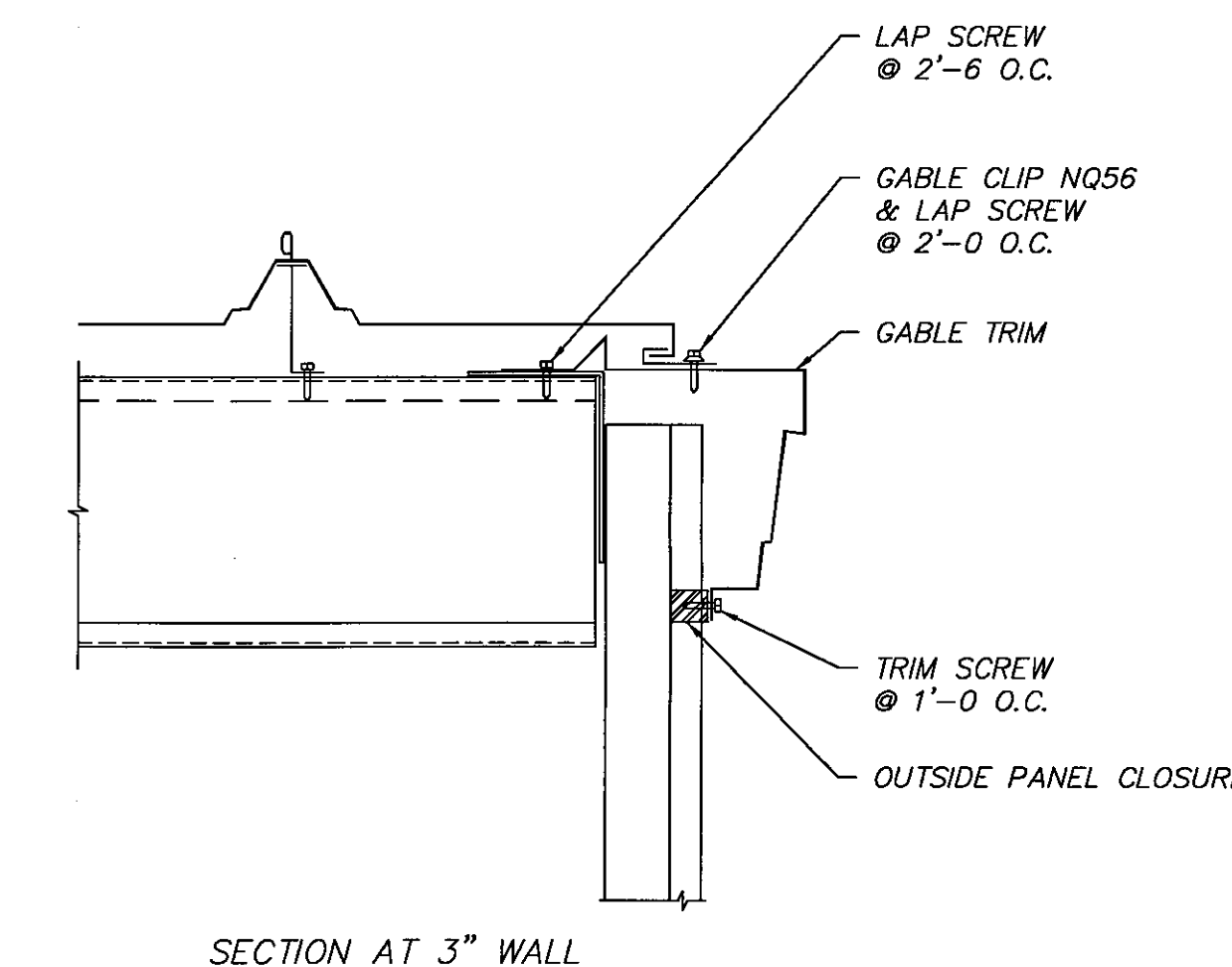
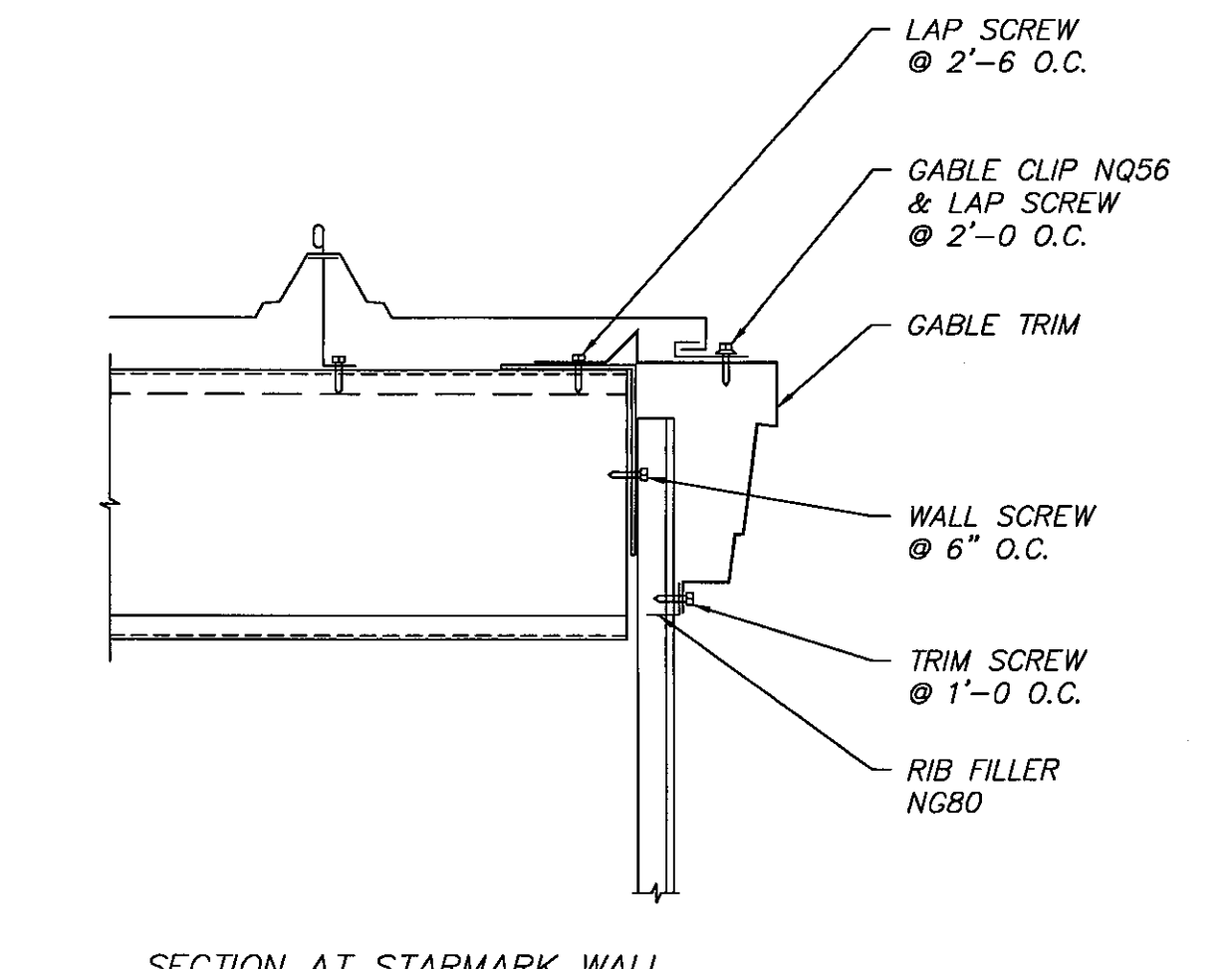
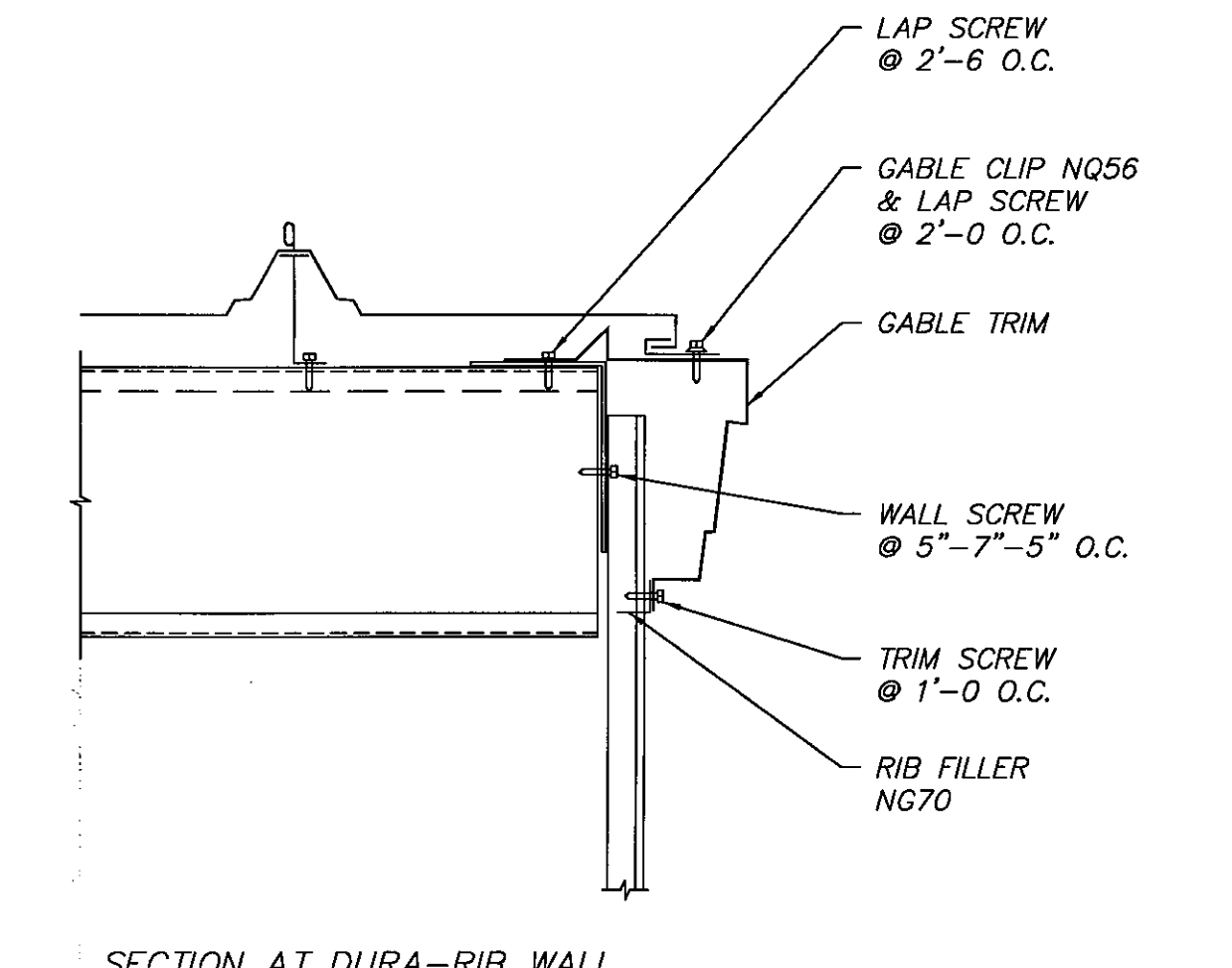
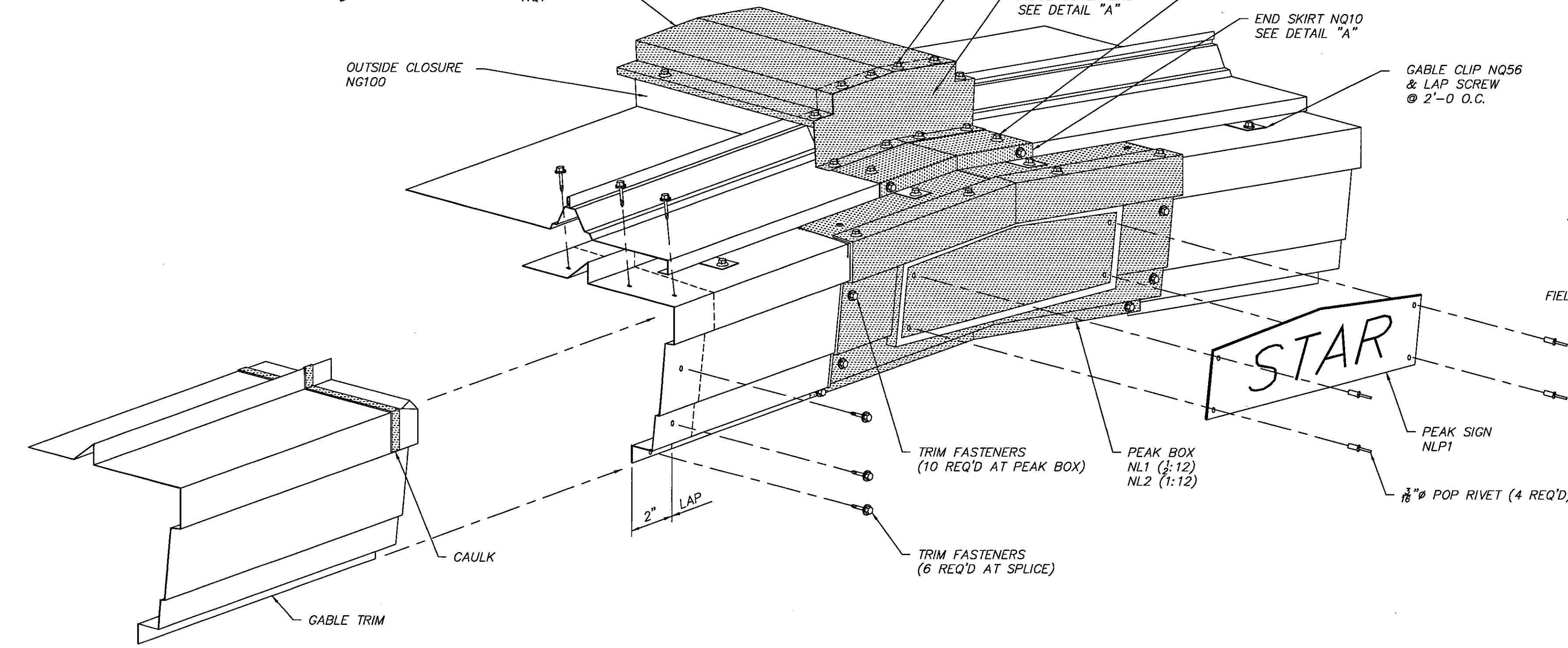
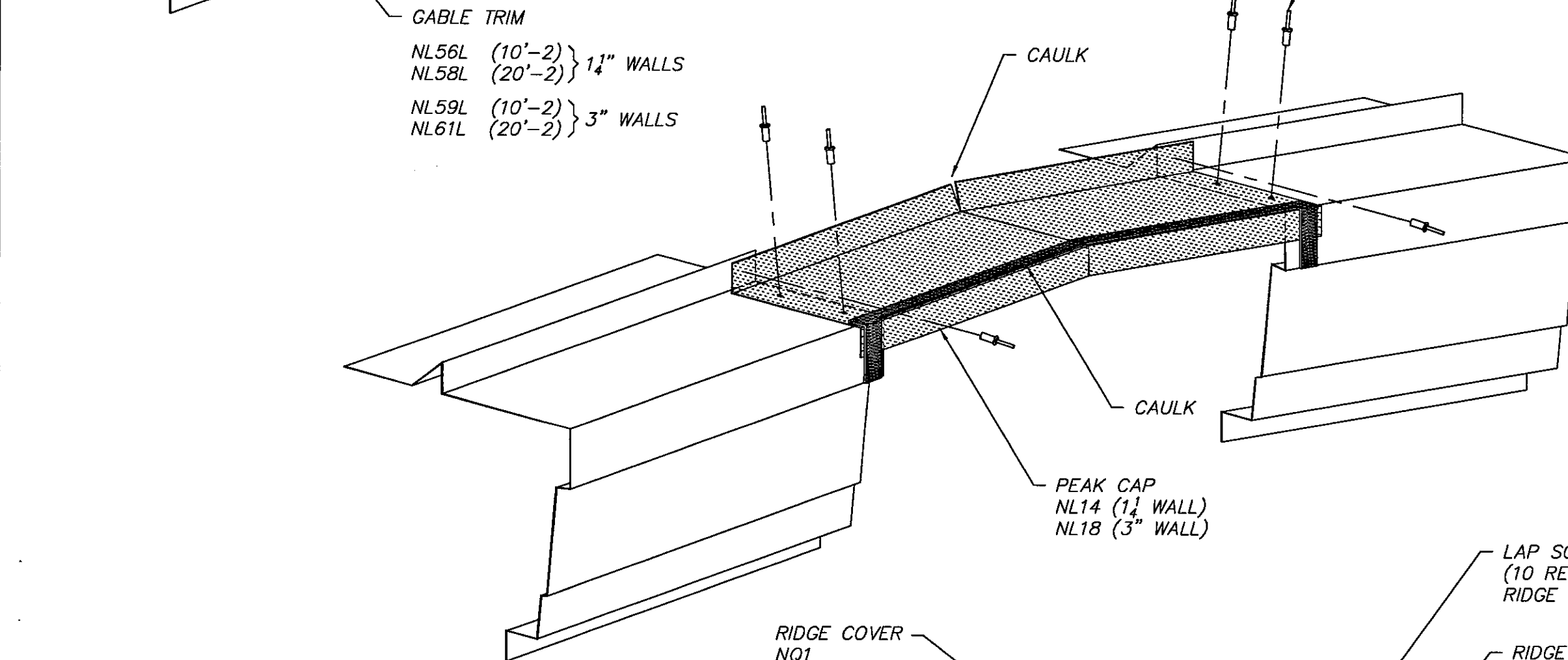
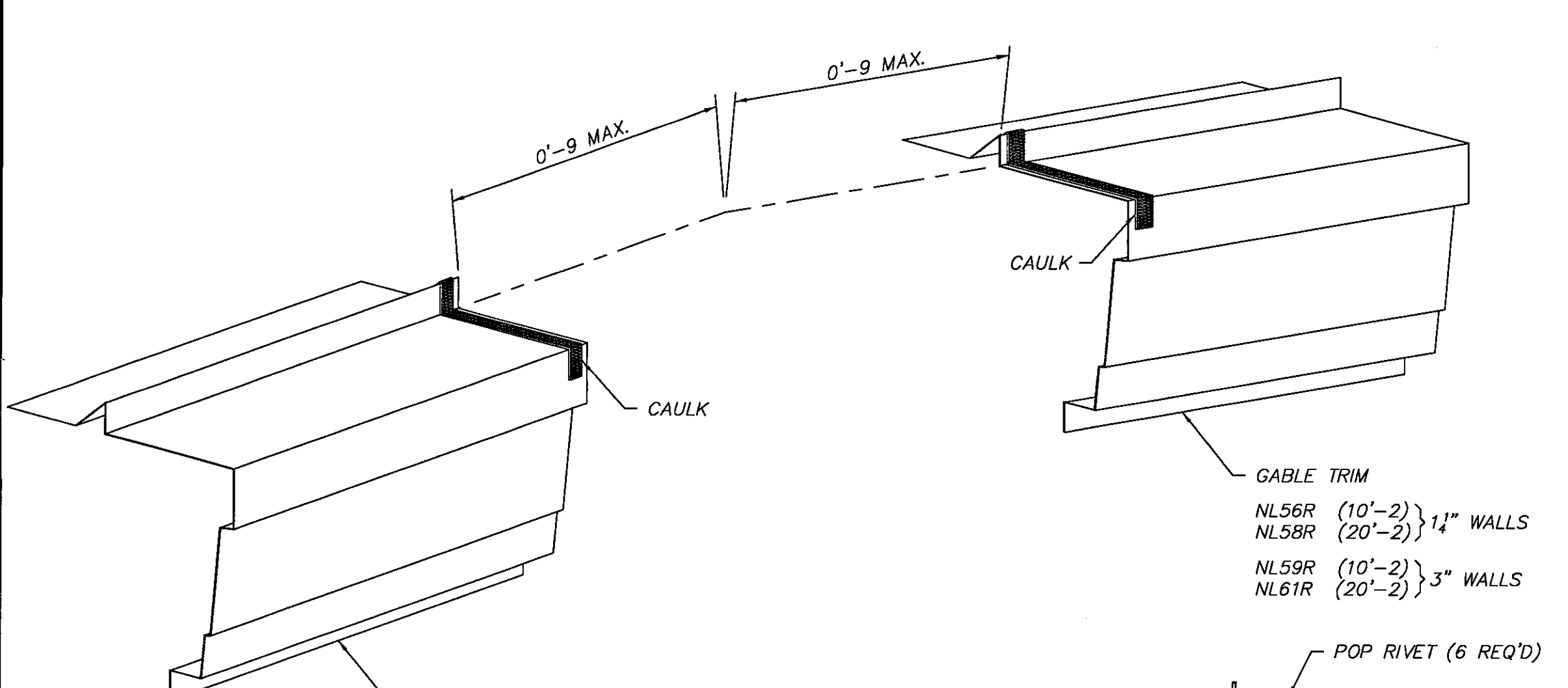
a Robertson Ceco company



STARSHIELD ROOF
EAVE BOX TRIM DETAILS
AT HIGH EAVE

37.08.05

10/4/98



- NOTES:
- 1.) STAR PERIMETER TRIM AND GUTTERS ARE COATED WITH A REMOVABLE PROTECTIVE FILM. AFTER PROLONGED PERIODS OF EXPOSURE TO DIRECT SUNLIGHT THE FILM MAY BECOME BRITTLE AND DIFFICULT TO REMOVE.
 - 2.) TO AVOID SUCH DIFFICULTIES, COVER THESE PARTS FROM DIRECT SUNLIGHT AT THE STORAGE SITE AND JOBSITE. REMOVE THE PROTECTIVE FILM DURING ERECTION OR IMMEDIATELY AFTER.
 - 3.) STAR TRIM PARTS ARE PROVIDED IN STANDARD LENGTHS AND MAY REQUIRE FIELD CUTTING TO LENGTH. (NOTE, THE REMAINDER MAY BE REQUIRED AT DIFFERENT LOCATION.)
 - 4.) ROOF AND WALL PANELS SHOULD BE CLEANED OF ANY DRILL SHAVINGS OR FIELD CUTTING FLINGS AT THE END OF EACH DAY TO PREVENT RUSTING OF THESE PARTICLES

REVISIONS	BY	DATE
4 GENERAL REVISION	LEC	5/2/93
5 CHANGED TO NEW PART NUMBER SCHEME	LR LEC	1/2/94
6 REDRAWN ON CAD	LEC RB	
7 CORRECTS CAULKING AT PEAK CAP	RB	
8 ADDS SCREWS AT END SKIRT AND NOTES	RB	

NOTES

THIS DRAWING IS NOT TO SCALE

DRN. BY
 WH

CHK. BY

DATE

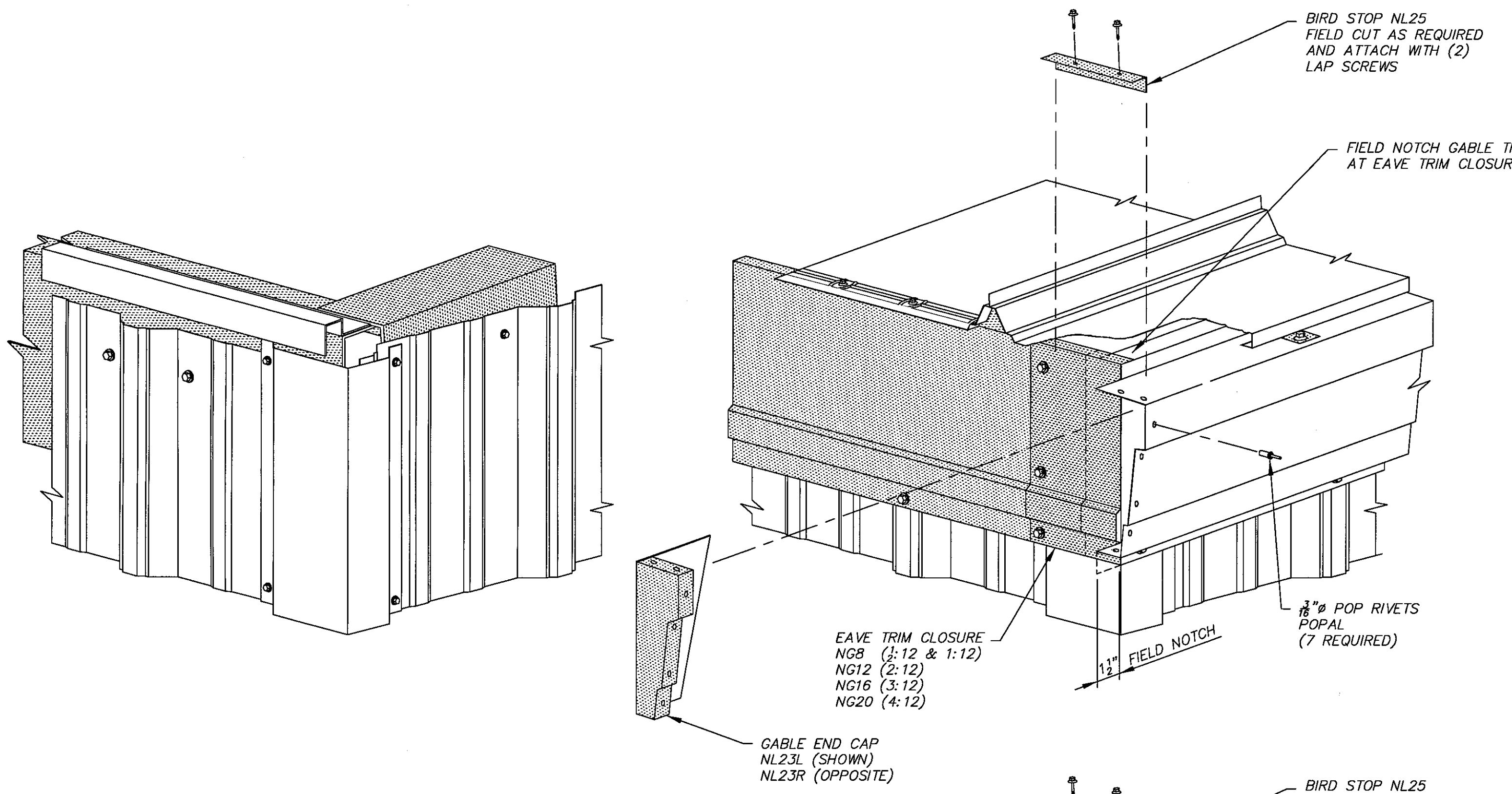
STAR BUILDING SYSTEMS

a Robertson Ceco company

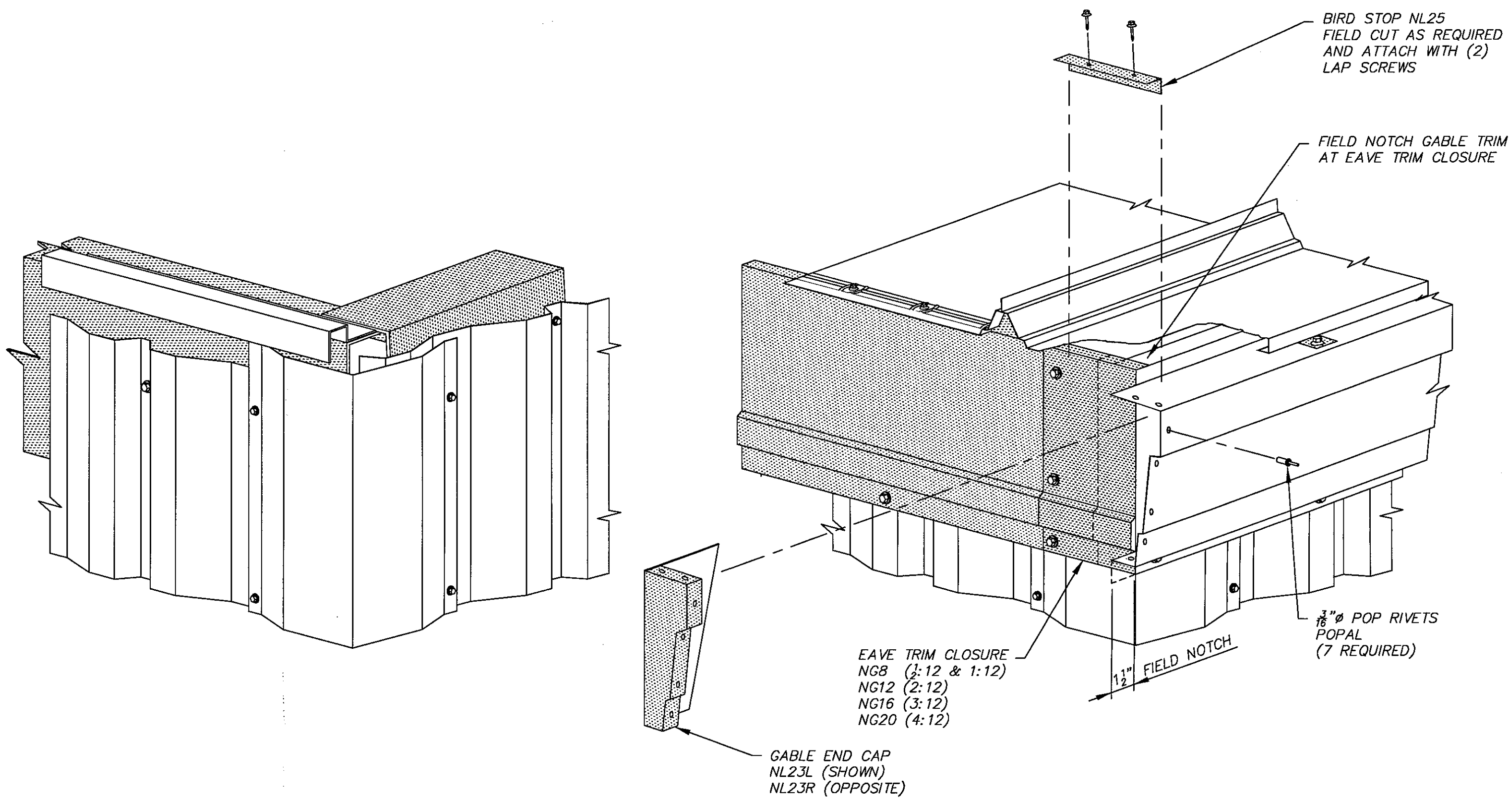
GABLE TRIM DETAILS
 1/2:12 & 1:12 ROOF SLOPES
 STARSHIELD ROOF

37.10.08

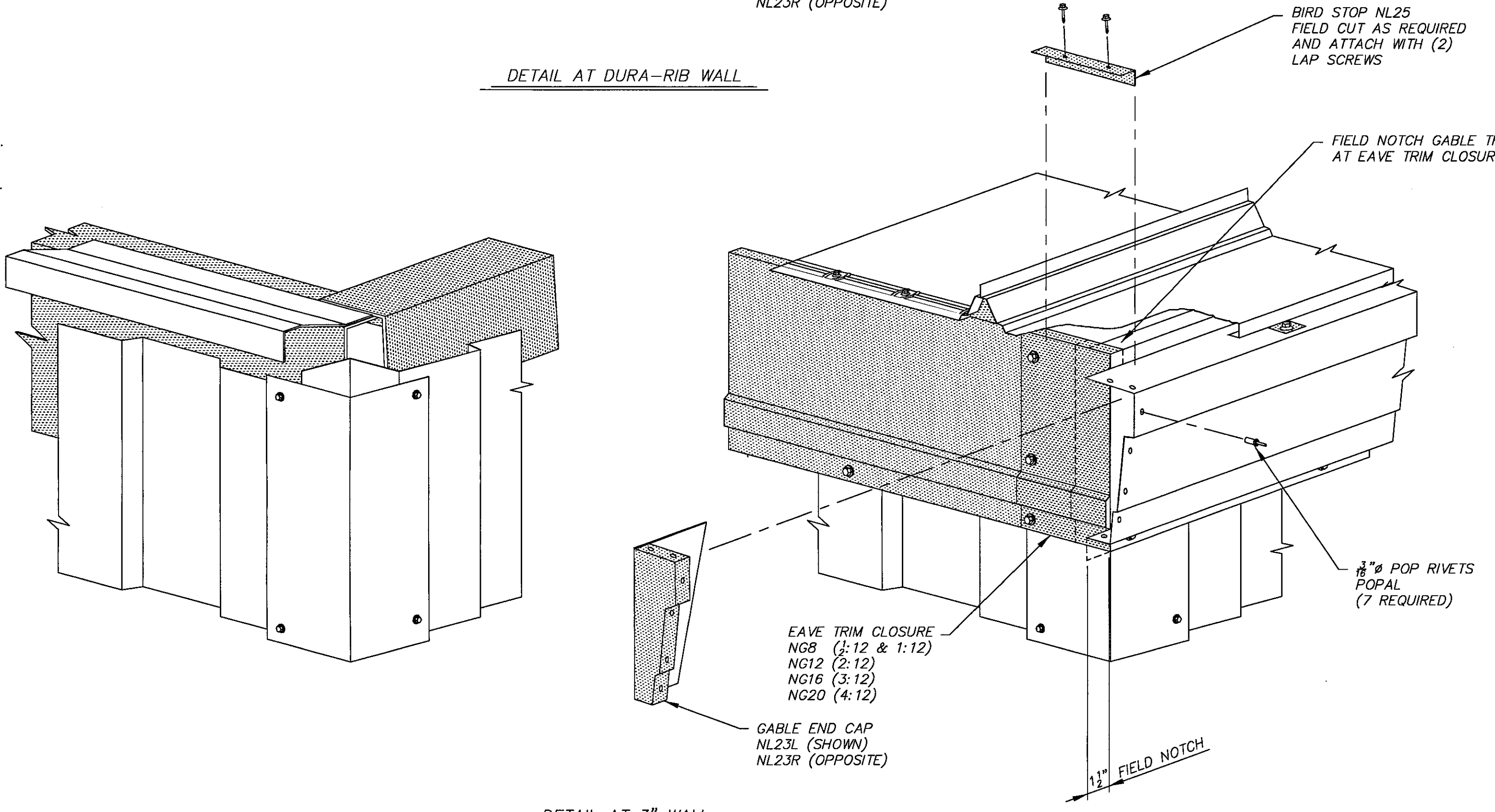
4/19/98



DETAIL AT DURA-RIB WALL



DETAIL AT STARMARK WALL



DETAIL AT 3" WALL

REVISIONS	BY	DATE
4 GENERAL REVISION	LEC	5/2/93
5 CHANGE TO NEW PART NUMBER SCHEME	LR LEC	1/2/94
6 REDRAWN ON CAD	LEC RB	
7 ADDS POP RIVET SIZE AND PART NUMBER	RGB	

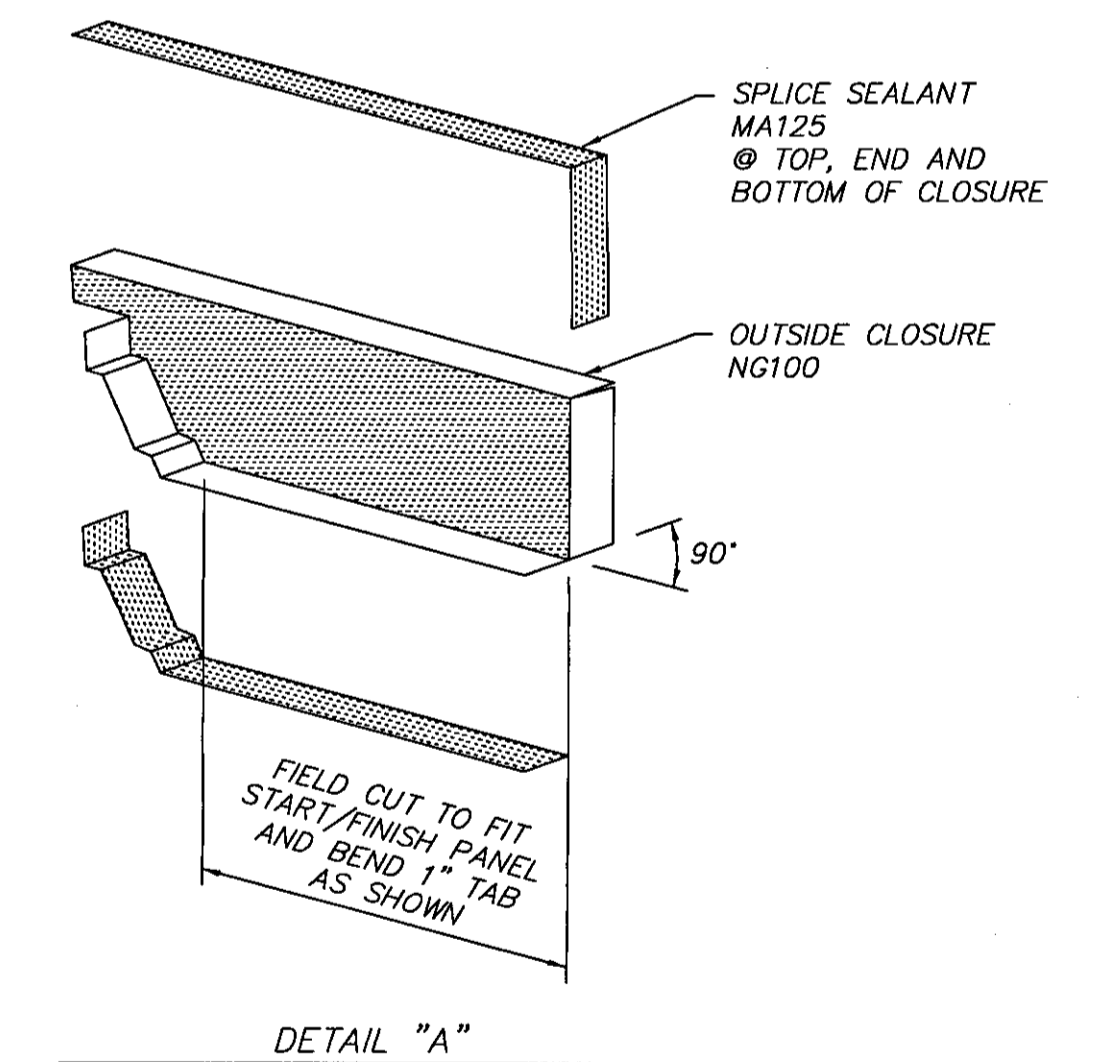
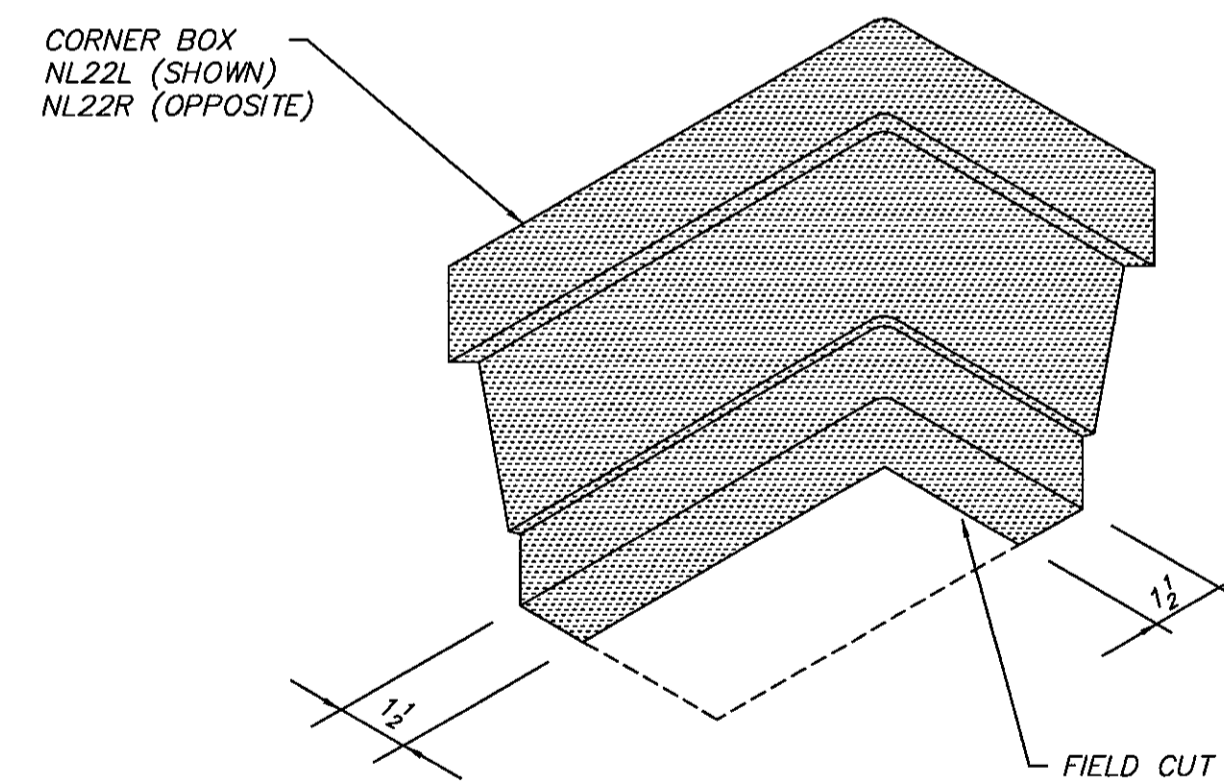
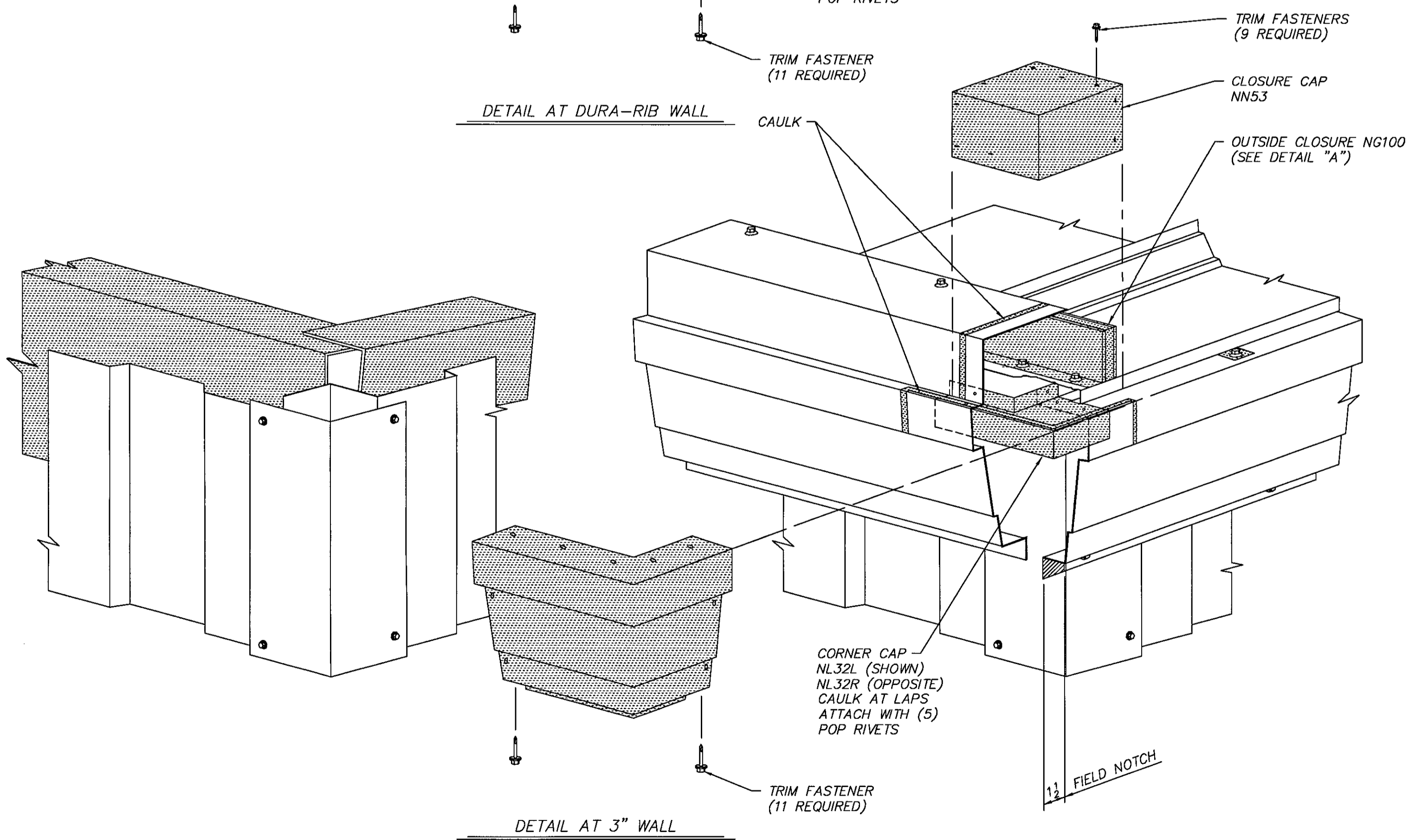
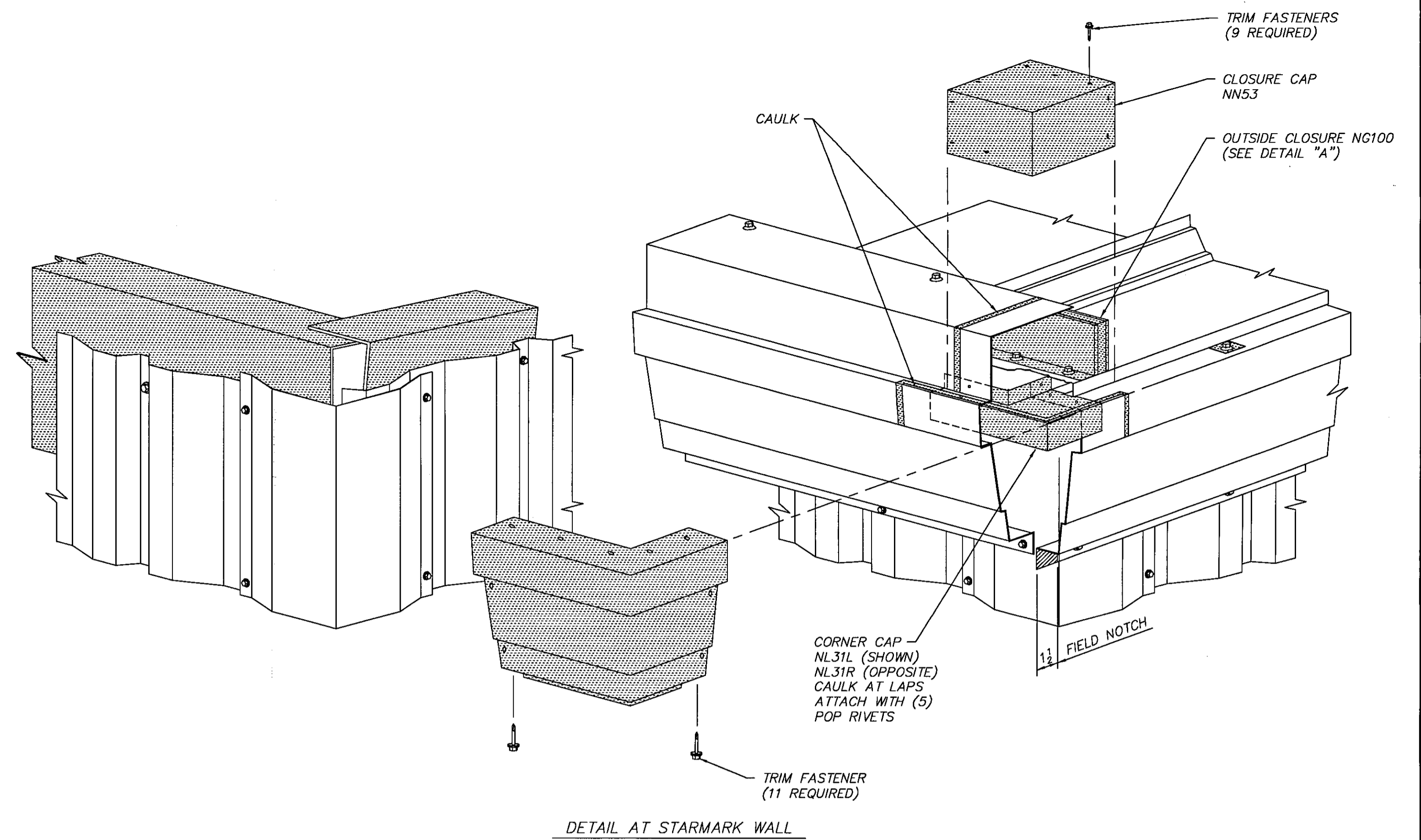
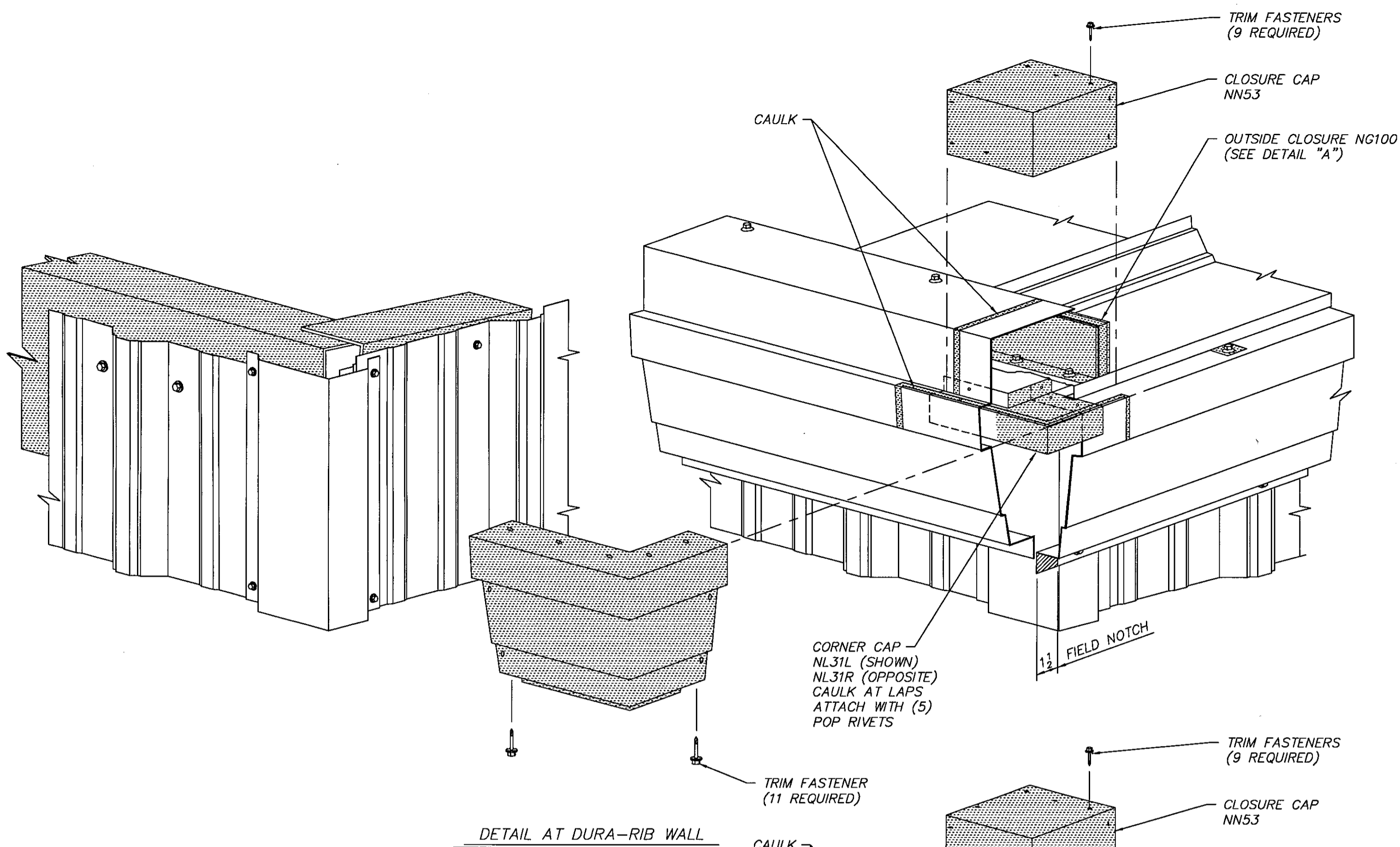
NOTES
THIS DRAWING IS NOT TO SCALE

DRN. BY	DATE
LEC	
CHK. BY	DATE

STAR BUILDING SYSTEMS
a Robertson Ceco company

EAVE/GABLE
CORNER DETAILS
WITH EAVE TRIM
STARSHIELD ROOF

37.14.07
08/19/01

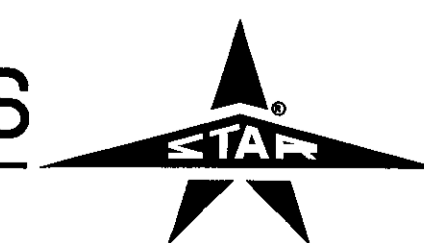


REVISIONS	BY	DATE	NOTES
2	LEC	5/2/93	THIS DRAWING IS NOT TO SCALE
3	LR LEC	1/2/94	
4	LEC RB		

DRN. BY	DATE
LEC	
CHK. BY	DATE

STAR BUILDING SYSTEMS

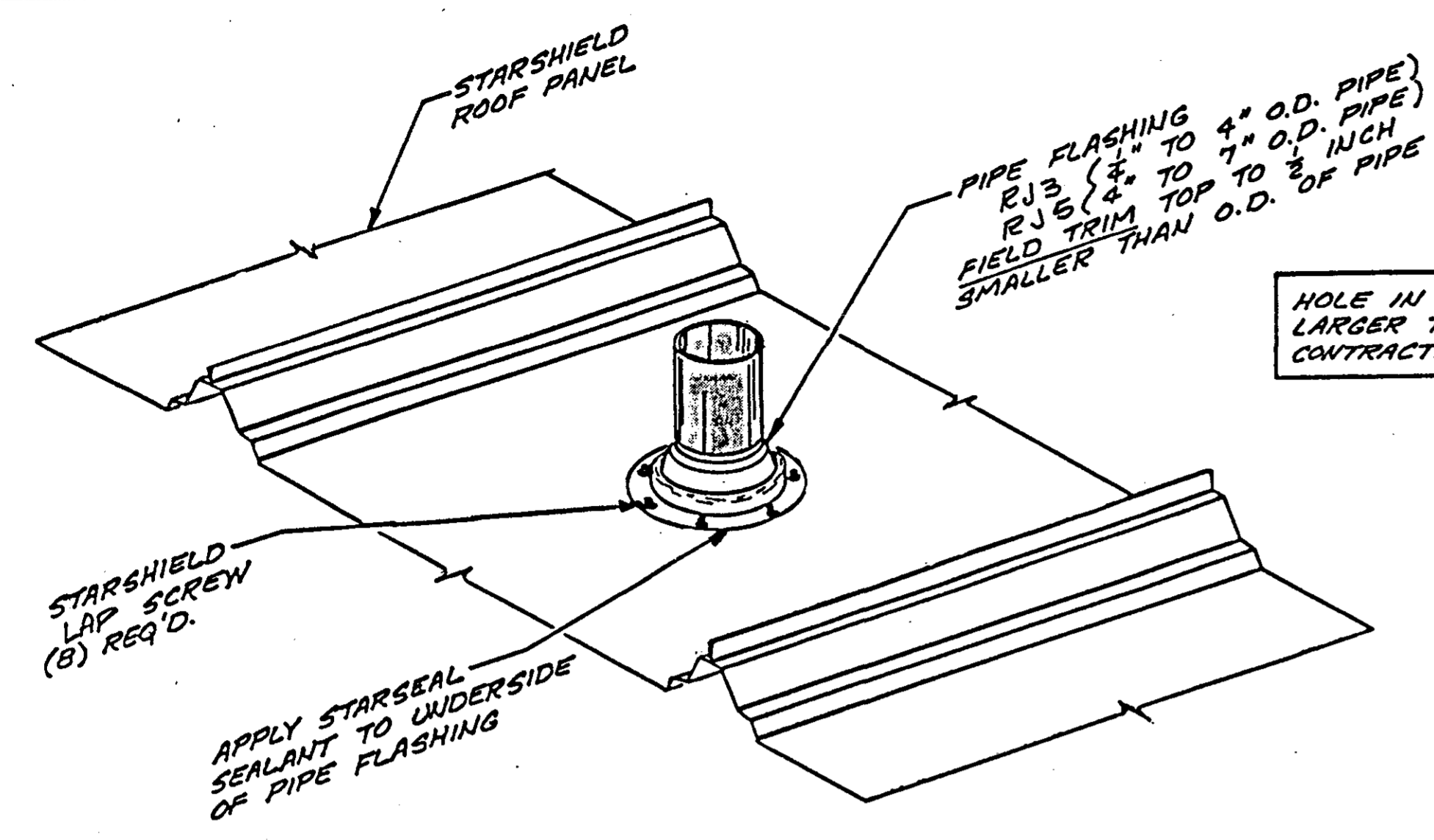
a Robertson Ceco company



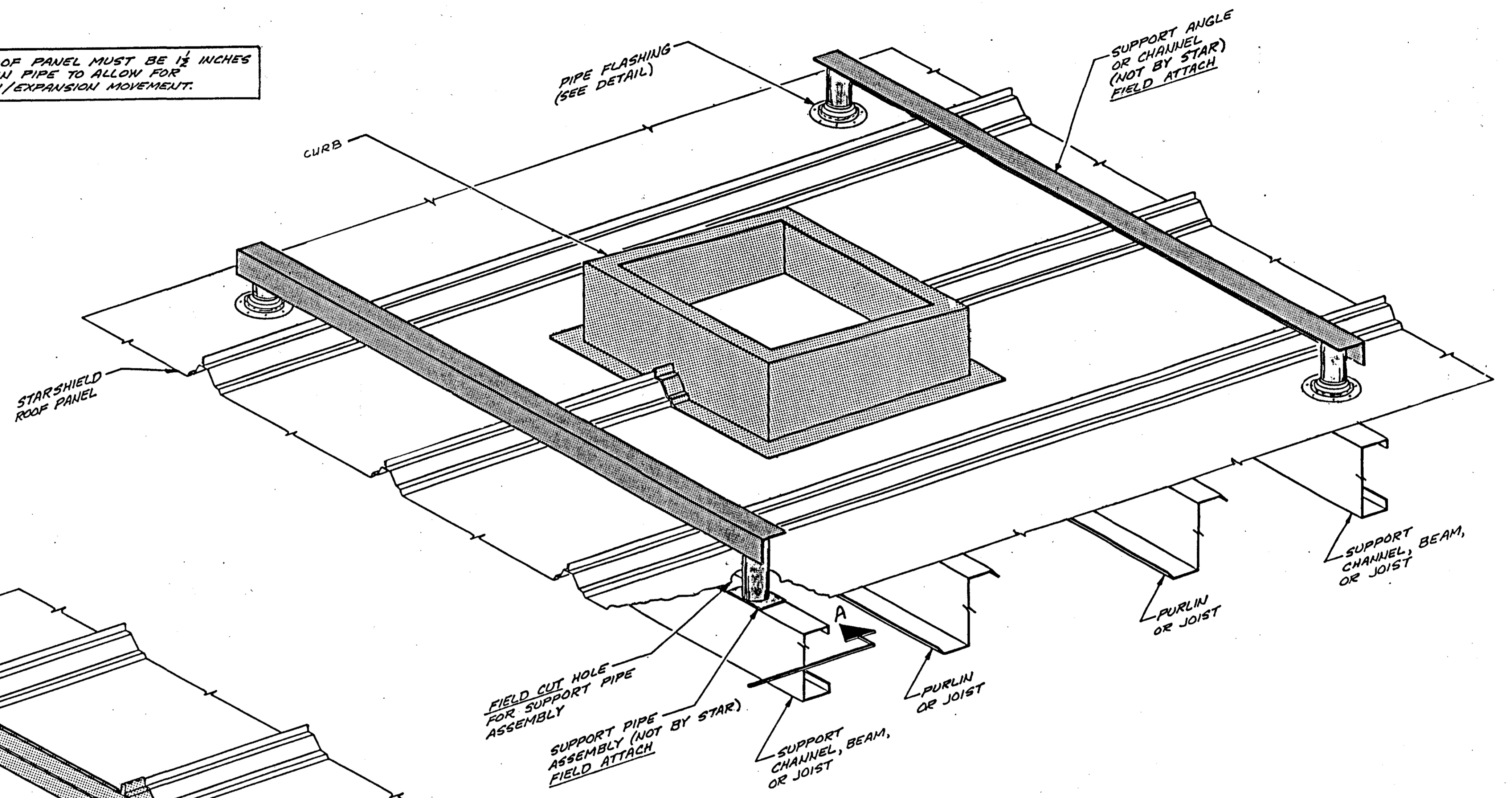
EAVE/GABLE
CORNER DETAILS
AT HIGH EAVE
STARSHIELD ROOF

37.17.04

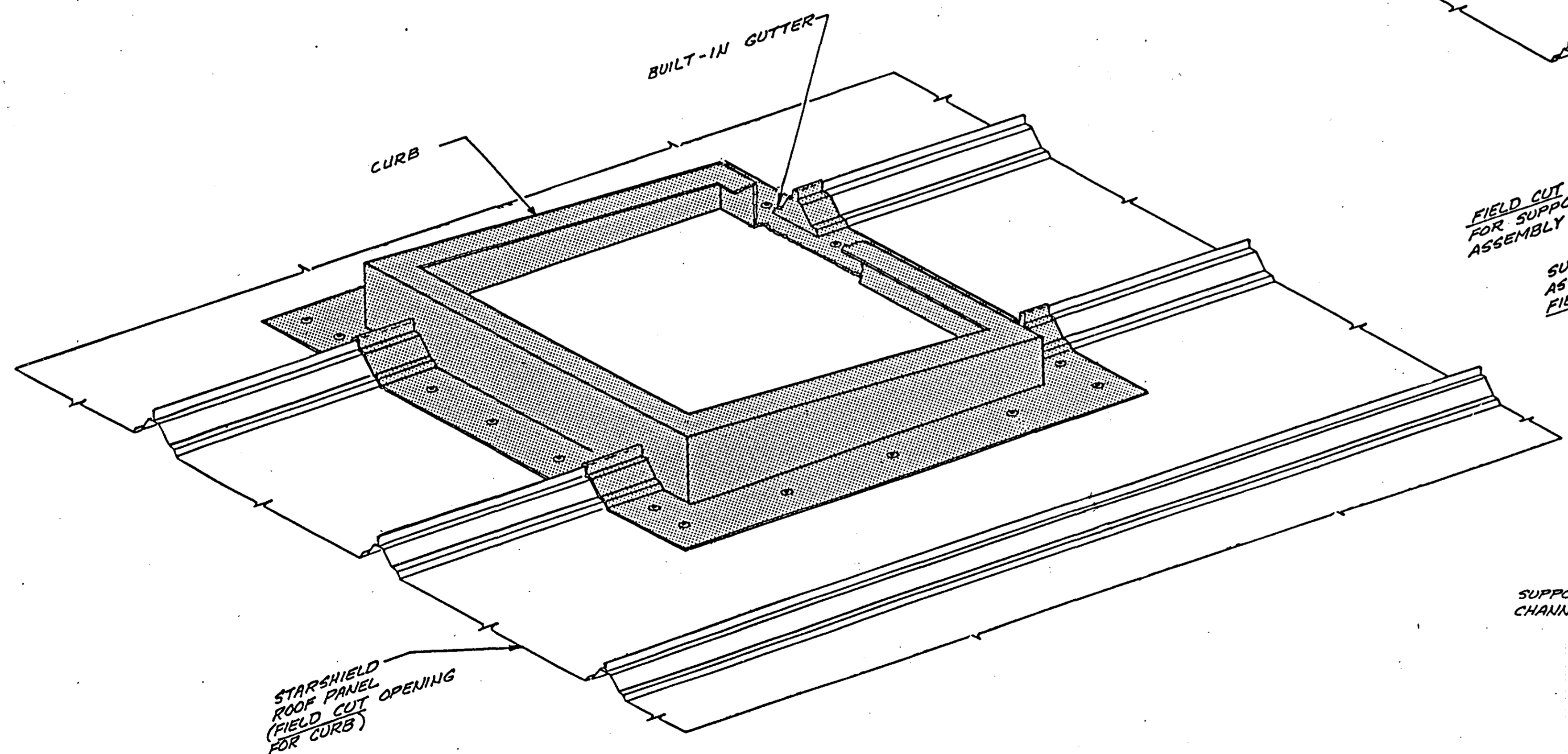
1/1/97



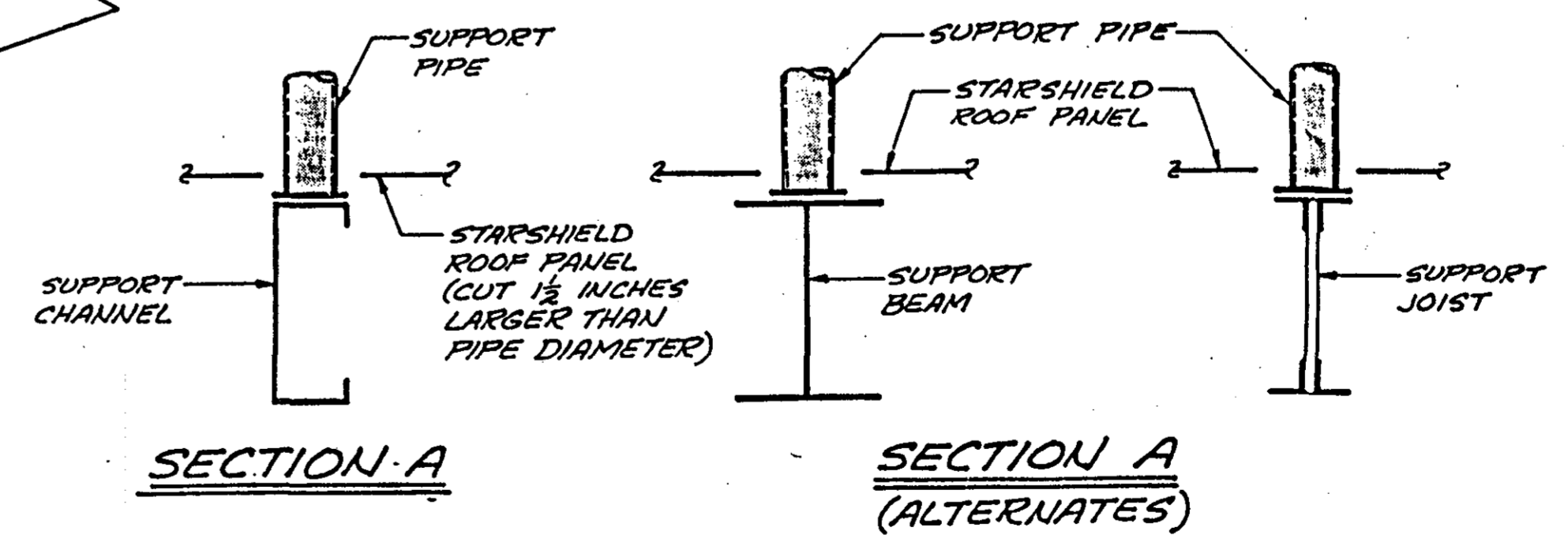
PIPE FLASHING



CURB WITH EQUIPMENT SUPPORT DETAIL



CURB DETAIL



Design of structural support beams by Star requires that location of support pipes and applied loads be provided to Star.

Molded curb opening must be large enough to provide clearance to penetrating equipment to allow for thermal expansion and contraction.

A minimum of 4" clearance must be provided between support angle/channel (Not by Star) and top of StarShield rib.

Molded curb must not be relied upon to provide structural support for mechanical equipment.

REVISIONS	BY	DATE	NOTES
2	LR	EC	CHANGE TO NEW PART NUMBER SCHEME

THIS DRAWING IS NOT TO SCALE

DRN BY	DATE
EC	
CHK. BY	DATE

STAR BUILDING SYSTEMS

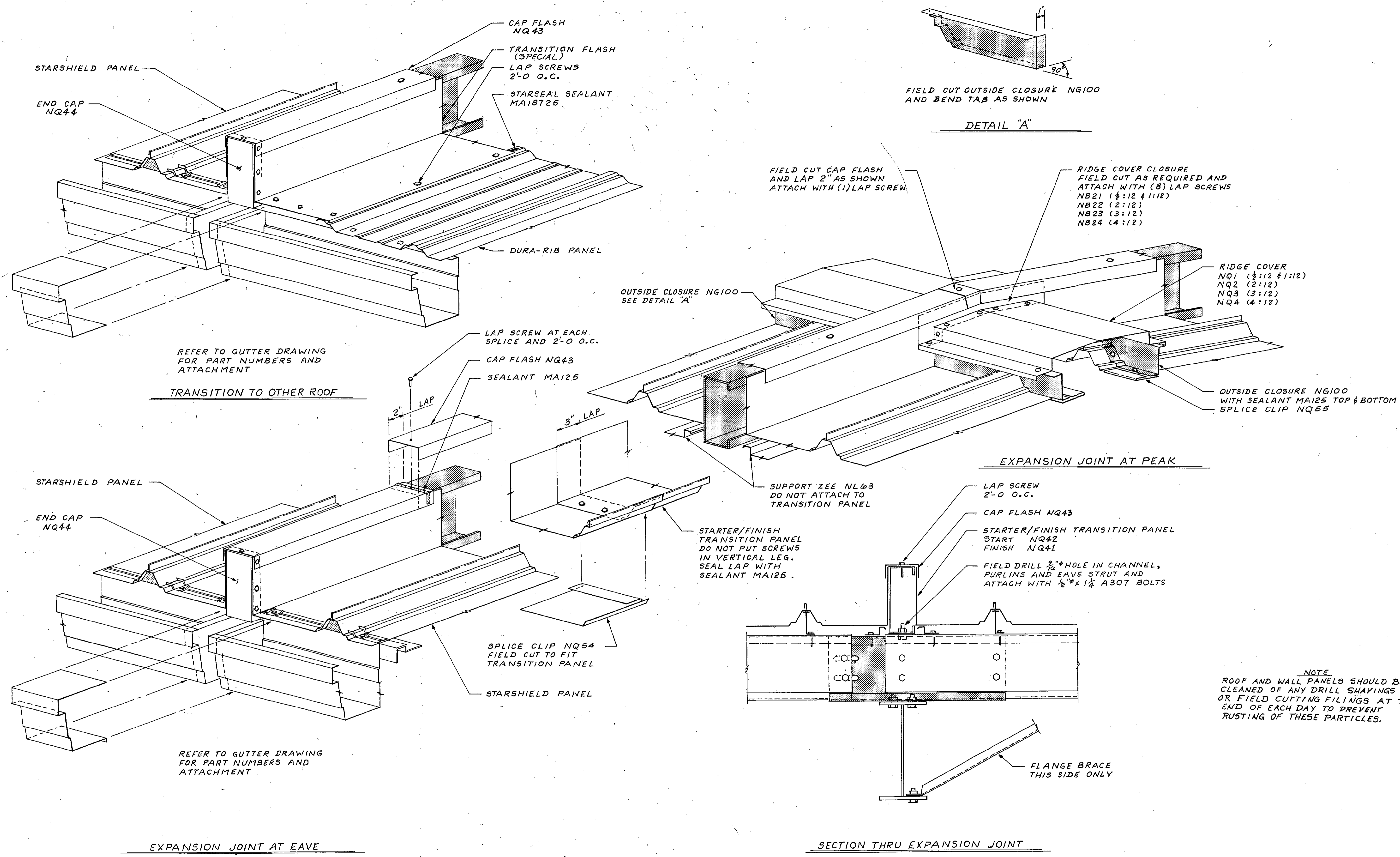
a Robertson Ceco company

STARSHIELD ROOF ROOF CURB AND PIPE FLASH DETAILS

37.31.02

1-2-94

A
B
C
D
E
G
H
J
K
L
M
N
P
R
S
T
W
X
Z



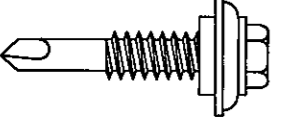
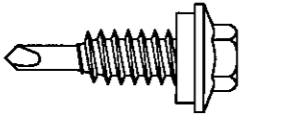
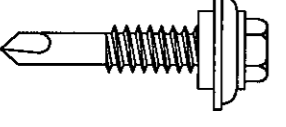
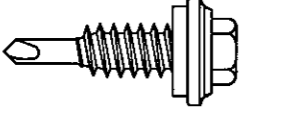
REVISIONS	BY	DATE	NOTES

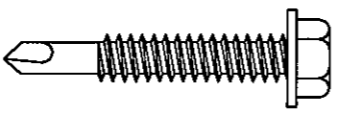
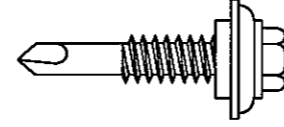
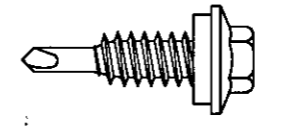
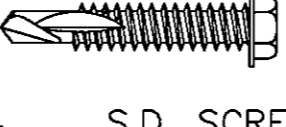
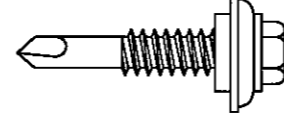
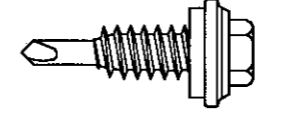
NOTES
THIS DRAWING IS NOT TO SCALE.

DRN. BY LSC	DATE
CHK. BY	DATE

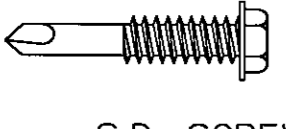
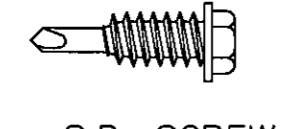
STAR BUILDING SYSTEMS
a Robertson Ceco company

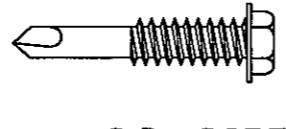
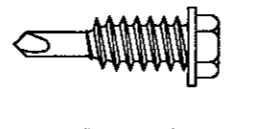
STARSHIELD ROOF
TRANSVERSE EXPANSION
AND TRANSITION DETAILS
37.81.00
3-31-96

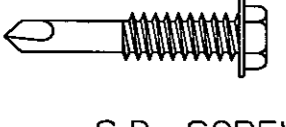
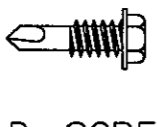
DURA-RIB ROOF			
ROOF SCREW		LAP SCREW	
SD125W_		SD87W_	
NO. 12-14 X 1 1/4	S.D. SCREW W/WASHER	1/4-14 X 7/8	S.D. SCREW W/WASHER
SDW125_		SDW87_	
NO. 12-14 X 1 1/4 STAINLESS CAP.	S.D. SCREW W/WASHER	1/4-14 X 7/8 STAINLESS CAP	S.D. SCREW W/WASHER

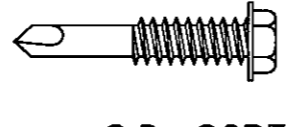
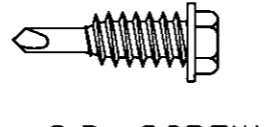
STARSHIELD ROOF					
CLIP SCREW		SPLICE SCREW		LAP SCREW	
SD1415		SD125W_		SD87W_	
1/4-14 X 1 1/2	S.D. SCREW NO WASHER	NO. 12-14 X 1 1/4	S.D. SCREW W/WASHER	1/4-14 X 7/8	S.D. SCREW W/WASHER
SD125T4		SDW125_		SDW87_	
NO. 12-24 X 1 1/4	S.D. SCREW NO WASHER	NO. 12-14 X 1 1/4 STAINLESS CAP.	S.D. SCREW W/WASHER	1/4-14 X 7/8 STAINLESS CAP.	S.D. SCREW W/WASHER

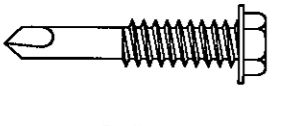
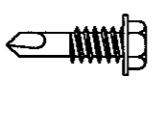
FASTENER COLOR AVAILABILITY CHART		
COLOR CODE_	ABBREVIATION	DESCRIPTION
A	KRED	RUSTIC RED
B	BRWN	SEAL BROWN
D	RED	BRICK RED
E	SAND	SAND BEIGE
F	GRAY	STONE GRAY
G	GALM	UNPAINTED
H	SGRA	SLATE GRAY
J	WHT	SHELL WHITE
K	SBLU	SMOKEY BLUE
M	BLUE	OCEAN BLUE
N	SSTN	SANDSTONE
O	GOLD	ASPEN GOLD
S	RWHT	REGAL WHITE
T	SLAT	SLATE BRONZE
U	BEIG	SURREY BEIGE
V	CGRN	CLASSIC GREEN
X		SPECIAL
Y	TAN	SAHARA TAN
AL	ALUM	ALUMINUM
SS	STLS	UNPAINTED STAINLESS CAP

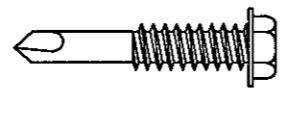
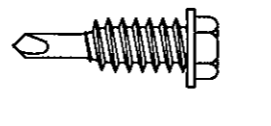
DURA-RIB AND STARMARK WALL			
WALL SCREW		LAP SCREW	
SD125_		SD87_	
NO. 12-14 X 1 1/4	S.D. SCREW NO WASHER	1/4-14 X 7/8	S.D. SCREW NO WASHER

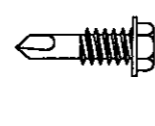
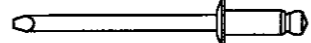
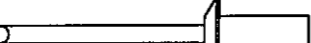
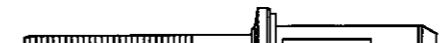
FACADE			
FACADE SCREW		LAP SCREW	
SD125_		SD87_	
NO. 12-14 X 1 1/4	S.D. SCREW NO WASHER	1/4-14 X 7/8	S.D. SCREW NO WASHER


LINER			
LINER SCREW		LAP SCREW	
SD125_		SD50_	
NO. 12-14 X 1 1/4	S.D. SCREW NO WASHER	NO. 8-18 X 1/2	S.D. SCREW NO WASHER

BACK PANEL			
BACK PANEL SCREW		LAP SCREW	
SD125_		SD87_	
NO. 12-14 X 1 1/4	S.D. SCREW NO WASHER	1/4-14 X 7/8	S.D. SCREW NO WASHER

PARTITION			
PARTITION SCREW		LAP SCREW	
SD125_		SD50_	
NO. 12-14 X 1 1/4	S.D. SCREW NO WASHER	NO. 8-18 X 1/2	S.D. SCREW NO WASHER

SOFFIT			
SOFFIT SCREW		LAP SCREW	
SD125_		SD87_	
NO. 12-14 X 1 1/4	S.D. SCREW NO WASHER	1/4-14 X 7/8	S.D. SCREW NO WASHER

TRIM FASTENER			
ALL PANEL SYSTEMS			
SD50_			
NO. 8-18 X 1/2	S.D. SCREW NO WASHER		
POPG			
1/8 DIAMETER	POP RIVET		
POPAL			
3/16 DIAMETER	BLIND RIVET		
BULBTITE			
3/16 DIAMETER	BULB-TYPE RIVET W/WASHER		

STRUCTURAL			
ALL PANEL SYSTEMS			
ATTACHMENT OF RAKE ANGLES, SHEETING ANGLES, SAG ANGLES, EAVE STRUT ADAPTORS, ETC.			
SD125G			
NO. 12-14 X 1 1/4	S.D. SCREW NO WASHER		

REVISIONS	BY	DATE	NOTES
3	D.B. RGB	3-12-97	
10	RGB		

THIS DRAWING NOT TO SCALE

DRN. BY	DATE
GH	11-18-94
CHK. BY	DATE

STAR BUILDING SYSTEMS

a Robertson Ceco company



FASTENER
APPLICATION
CHART

70.04.10
9/21/97