

BMV - SINGLE USER RESTROOMS

101 HOSPITAL ST.
AUGUSTA, ME 04330

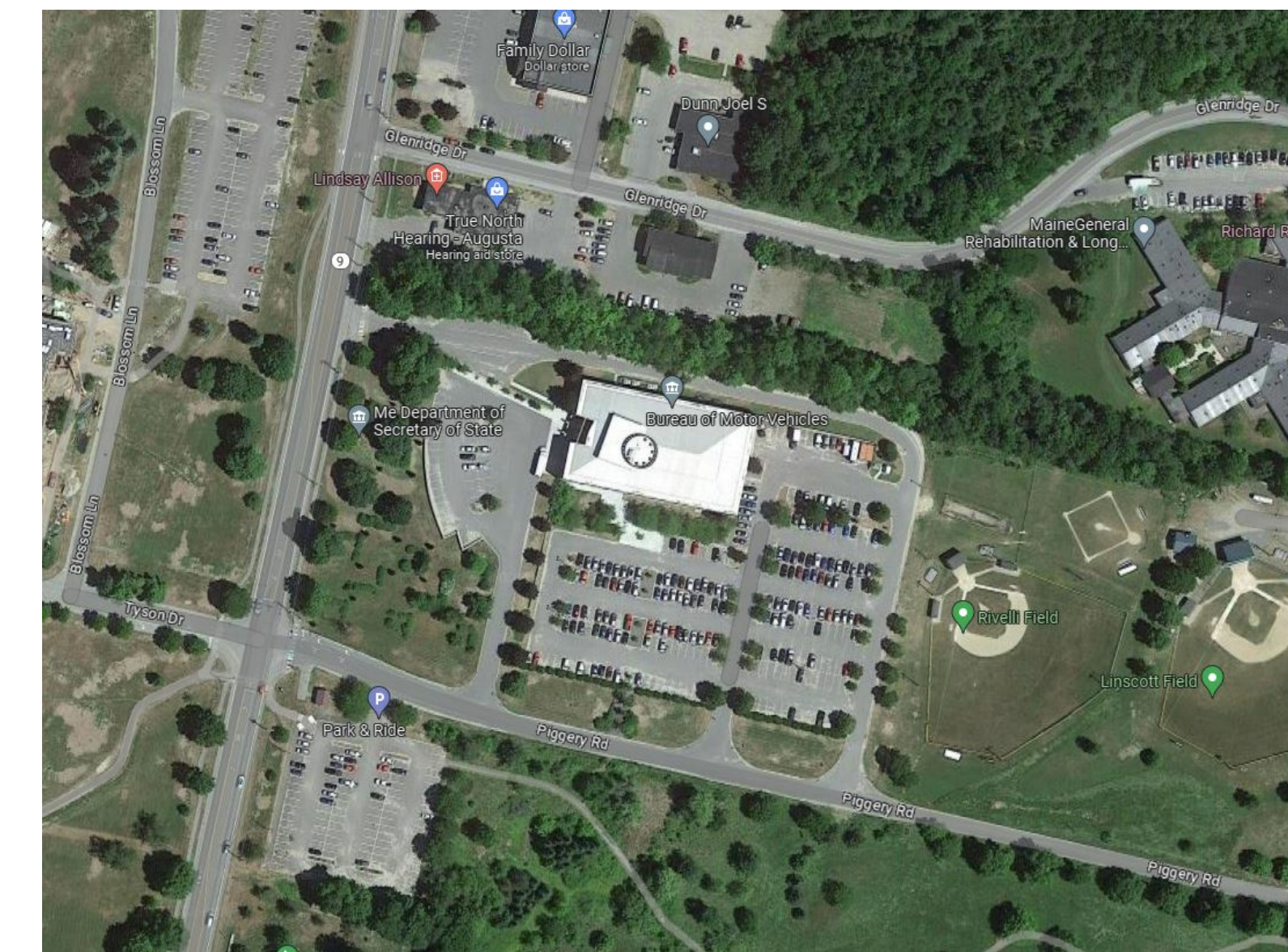
ISSUED FOR BIDDING
DATE OF ISSUE: 08/21/2023

PROJECT TEAM

OWNER:
STATE OF MAINE
BUREAU OF MOTOR VEHICLES
101 Hospital St.
Augusta, ME 04330
Thomas Bull
thomas.bull@maine.gov
Catherine Curtis
catherine.curtis@maine.gov
David Lachance
david.lachance@maine.gov

ARCHITECT:
SIMONS ARCHITECTS
75 York Street
Portland, ME 04101
207.772.4656
Austin Smith, AIA
austin@simonsarchitects.com

MEP ENGINEERING:
ALLIED ENGINEERING
160 Veranda St.
Portland, ME 04103
207.221.2260
Anthony Davis, PE, LEED AP
adavis@allied-eng.com



simons architects
designed for human potential

75 York Street
Portland, Maine 04101
simonsarchitects.com
207.772.4656

DRAWING LIST

GENERAL
G001 COVER SHEET

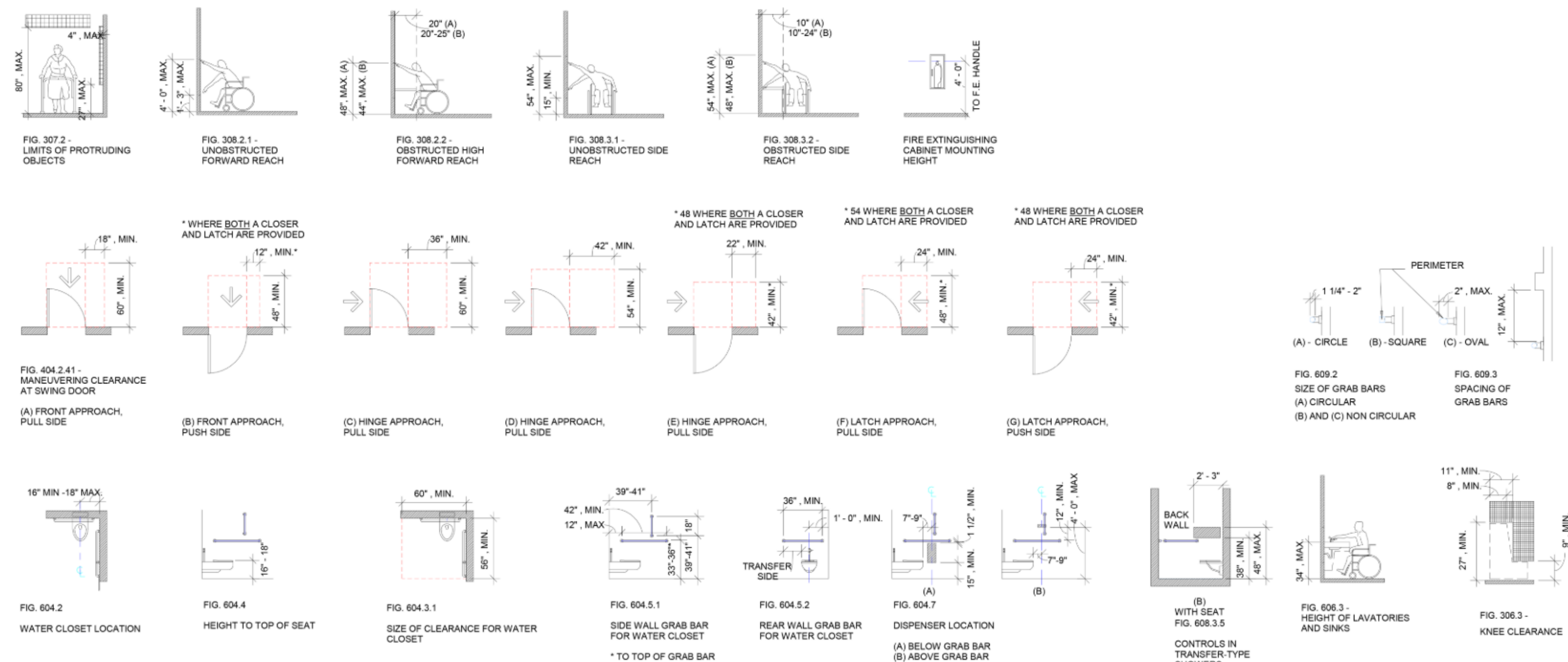
ARCHITECTURAL
A120 GROUND FLOOR BATHROOM - ALT.
A122 SECOND FLOOR BATHROOM - BASE BID
A500 INTERIOR BATHROOM ELEVATIONS

MEP
P000 PLUMBING & HVAC NOTES, LEGEND, & ABBREVIATIONS
P100 PLUMBING DRAINAGE PART PLANS
P200 PLUMBING SUPPLY PART PLANS
M100 MECHANICAL PART PLANS
E000 ELECTRICAL LEGEND
E001 ELECTRICAL NOTES & DETAILS
E100 ELECTRICAL PART PLANS

MATERIAL KEY

	COURSE GRAVEL		CONCRETE MASONRY
	CONCRETE		BRICK MASONRY
	STONE		SAND/FINE GRAVEL
	EARTH/COMPACT FILL		DENSE PAK CELLULOSE INSULATION
	GYPSUM PLASTER		SPRAY FOAM INSULATION
	PLYWOOD		BATT INSULATION
	FINISH WOOD		XPS INSULATION
	ROUGH WOOD		EPS INSULATION
	BLOCKING WOOD		

ADA REFERENCE GUIDE



ARCHITECTURAL SYMBOLS

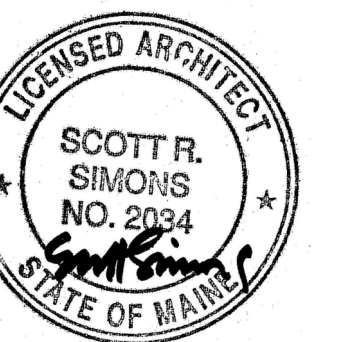
FINISH MATERIAL	CL1	PROPOSED ELEVATION	TOP OF FIN. FLOOR EL. +X'X"
CASEWORK TYPE	CW1	BUILDING SECTION	X AXXX
ROOM NUMBER	ROOM NAME 101	BUILDING ELEVATION	X AXXX
DOOR NUMBER	101A	WALL SECTION	X AXXX
WINDOW TYPE	NO.	INTERIOR ELEVATION	N X AXXX E S
PARTITION TYPE	M4 01	COLUMN REFERENCE LINE	X
REVISION REFERENCE	1	NEW DOOR	X AXXX
FIRE EXTINGUISHER, RECESSED CABINET	FE		
FIRE EXTINGUISHER SURFACE MOUNT	FE		

PROJECT NAME:

BMV - SINGLE USER RESTROOMS

101 HOSPITAL ST.
AUGUSTA, ME 04330

SEAL:



THIS DRAWING IS THE PROPERTY OF SIMONS ARCHITECTS (SA) AND IS NOT TO BE COPIED OR REPRODUCED IN PART OR WHOLE.
2023 © SIMONS ARCHITECTS, LLC

REVISIONS

DATE OF ISSUE: 08/21/2023

PROJECT NUMBER: 2023-0010

STATUS: ISSUED FOR BIDDING

COVER SHEET

G001

GENERAL DEMOLITION NOTES:

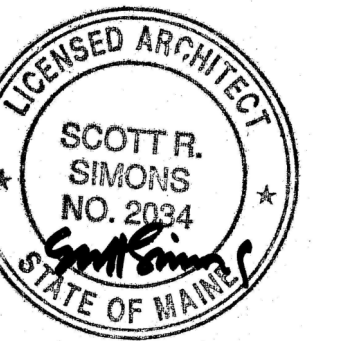
- G.C. TO PROTECT ADJACENT AREAS NOT AFFECTED BY CONSTRUCTION.
- G.C. AND SUBCONTRACTOR TO FIELD VERIFY ALL FIELD CONDITIONS PRIOR TO BIDDING AND CONSTRUCTION.
- ALL EXISTING MATERIALS NOTED TO BE REMOVED SHALL BE PROPERLY DISPOSED BY G.C. UNLESS NOTED OTHERWISE. OWNER RESERVES THE RIGHT TO RETAIN AN ITEM NOTED FOR DEMOLITION.
- G.C. SHALL COORDINATE EXTENT OF ALL DEMOLITION WORK WITH NEW CONSTRUCTION. REFER TO COMPLETE DRAWING SET TO COORDINATE DEMOLITION WORK WITH TRADES.
- ALL ELECTRICAL, PLUMBING, AND MECHANICAL LOCATED IN WALLS AND CEILINGS NOTED TO BE REMOVED SHALL BE EITHER REMOVED BACK TO THE SOURCE OR LOCATED OUT OF HARM'S WAY. FOR RELOCATIONS IN NEW CONSTRUCTION, G.C. TO COORDINATE.
- REMOVE ALL LIGHT FIXTURES AND DISPOSE UNLESS OTHERWISE NOTED TO BE SALVAGED.
- REFER TO MECHANICAL, ELECTRICAL, AND PLUMBING FOR ADDITIONAL DEMOLITION SCOPE.
- PHOTOS PROVIDED FOR REFERENCE ONLY. REFER TO PLANS AND KEYNOTES FOR MORE INFORMATION.
- REFER TO ADD ALTERNATE DESCRIPTIONS FOR ADDITIONAL DEMOLITION SCOPE.
- NOTE: FULL BUILDING OCCUPANCY DURING CONSTRUCTION.

PROJECT NAME:

BMV - SINGLE USER RESTROOMS

101 HOSPITAL ST.
AUGUSTA, ME 04330

SEAL:



THIS DRAWING IS THE PROPERTY OF SIMONS ARCHITECTS (SA) AND IS NOT TO BE COPIED OR REPRODUCED IN PART OR WHOLE.
2023 © SIMONS ARCHITECTS, LLC

REVISIONS

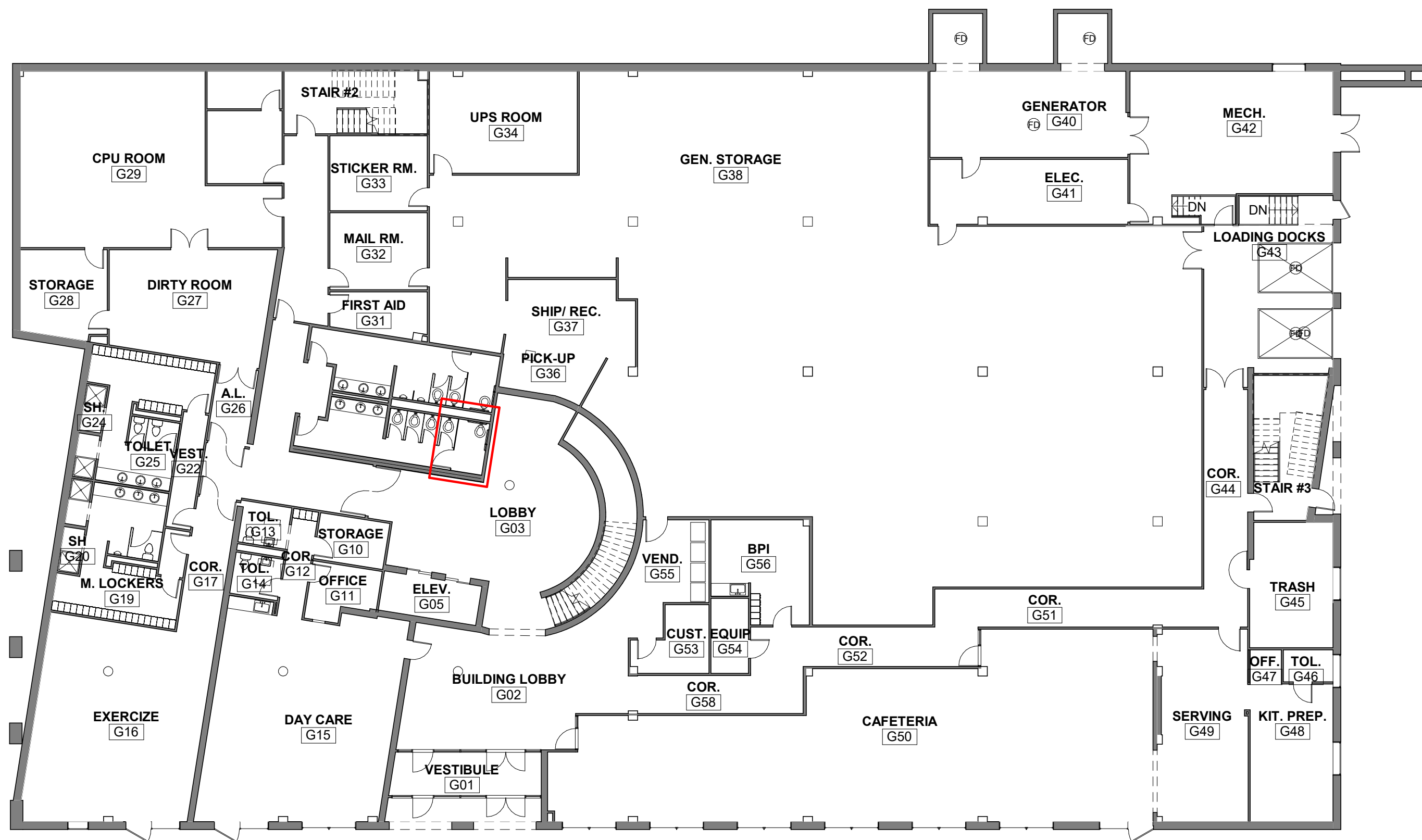
DATE OF ISSUE: 08/21/2023

PROJECT NUMBER: 2023-0010

STATUS: ISSUED FOR BIDDING

GROUND FLOOR BATHROOM - ALT.

A120



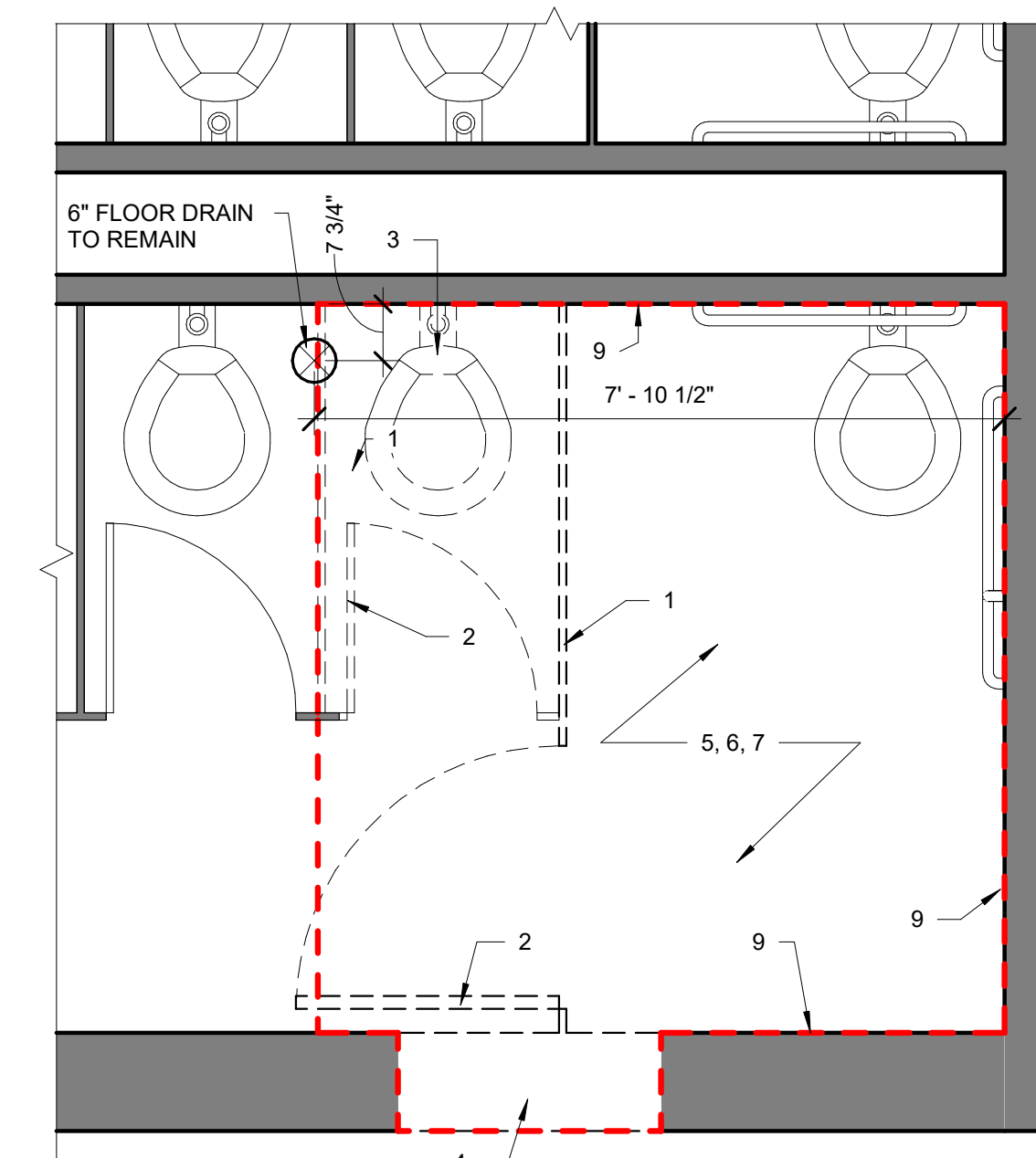
1 EXISTING GROUND FLOOR - KEYPLAN
1/16" = 1'-0"

DEMO KEYNOTES:

- REMOVE TOILET PARTITIONS SHOWN
- REMOVE TOILET PARTITION DOOR
- REMOVE PLUMBING FIXTURE + CAP WASTE LINE BELOW FLOOR LEVEL / PATCH FLOOR AS NECESSARY. REMOVE PORTION OF WALL AS NECESSARY TO REMOVE WALL CARRIER.
- REMOVE PORTION OF WALL FOR NEW OPENING, PATCH FLOORS, JAMBS, AND CEILINGS AS REQ. MODIFY EXISTING FRAMING FOR NEW OPENING. MAINTAIN 1 HR FIRE RATING.
- DEMO EXISTING ACT CEILING
- DEMO EXISTING LIGHT FIXTURES
- DEMO EXISTING FINISH FLOORING TO LIMITS OF NEW SINGLE USER TOILET.
- SALVAGE AND REMOVE EXISTING GRAB RAILS FOR REUSE AFTER NEW WALL FINISHES ARE INSTALLED.
- REMOVE EXISTING WALL TILE AND BACKER BOARD.

DEMO LEGEND:

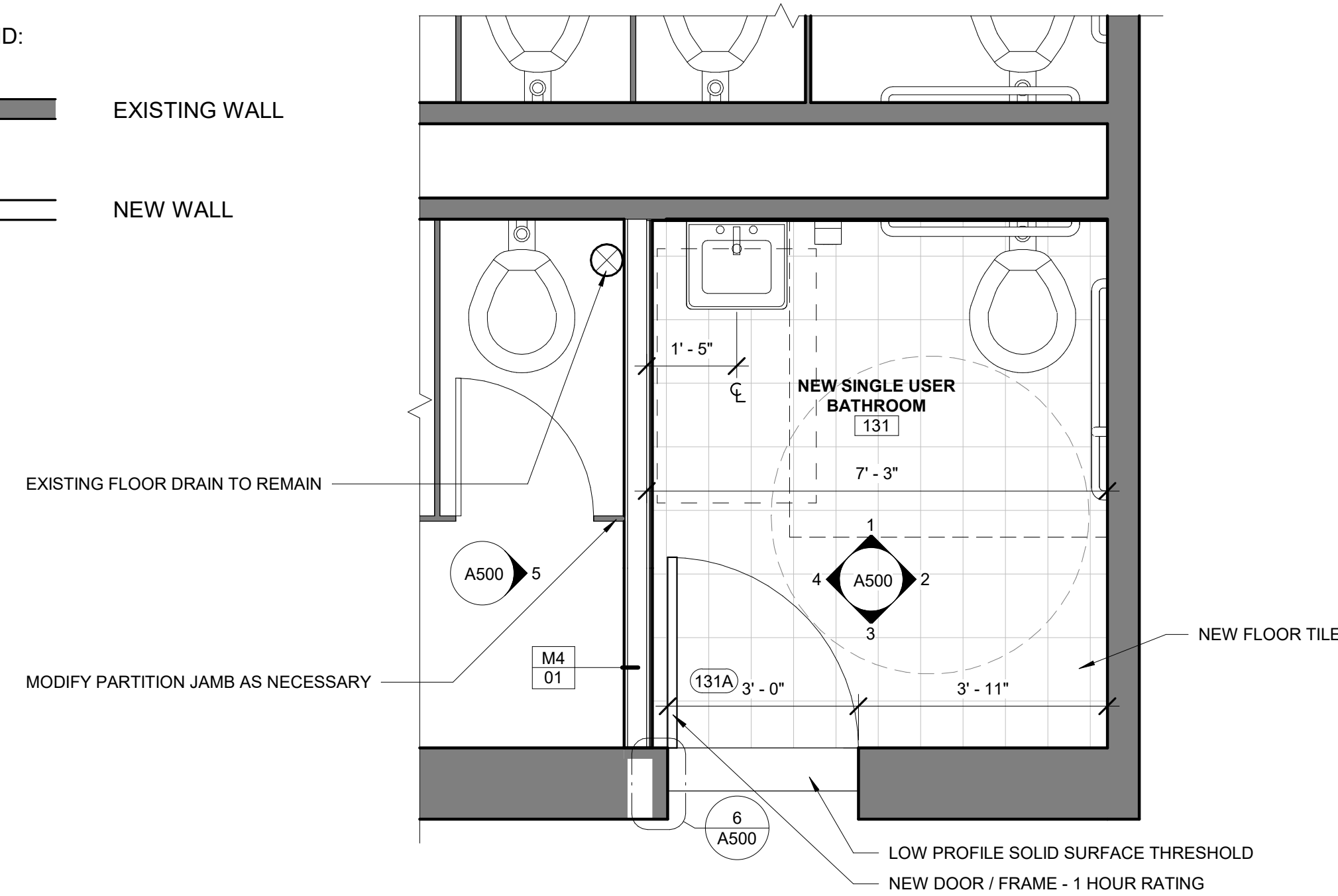
- EXISTING TO REMAIN
- TO BE DEMO'D
- EXTENT OF DEMO WORK



2 GROUND FLOOR BATHROOM DEMO
1/2" = 1'-0"

WALL LEGEND:

- EXISTING WALL
- NEW WALL

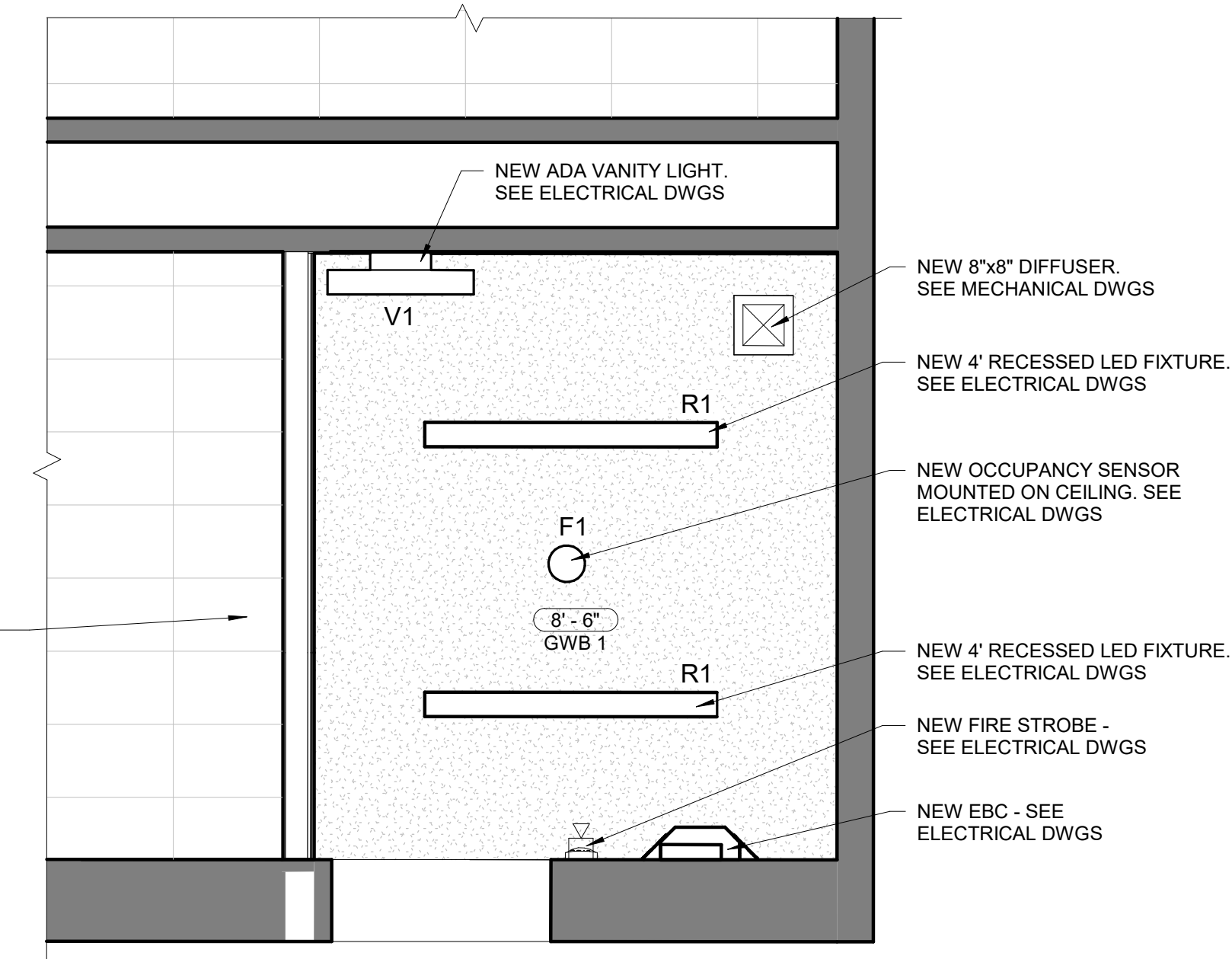


3 GROUND FLOOR BATHROOM
1/2" = 1'-0"

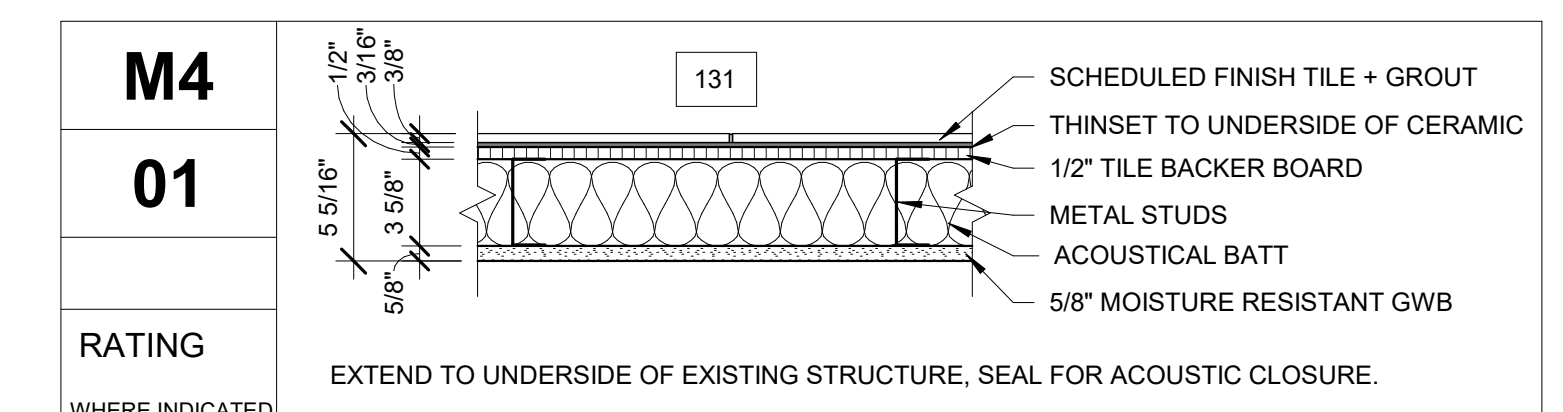
RCP LEGEND

- R1 - RECESSED LINEAR FIXTURE
- V1 - VANITY LIGHT
- GWB 1 - 5/8" GWB CEILING

MODIFY EXISTING ACT CEILING GRID FOR NEW PARTITION - MATCH EXISTING TILES

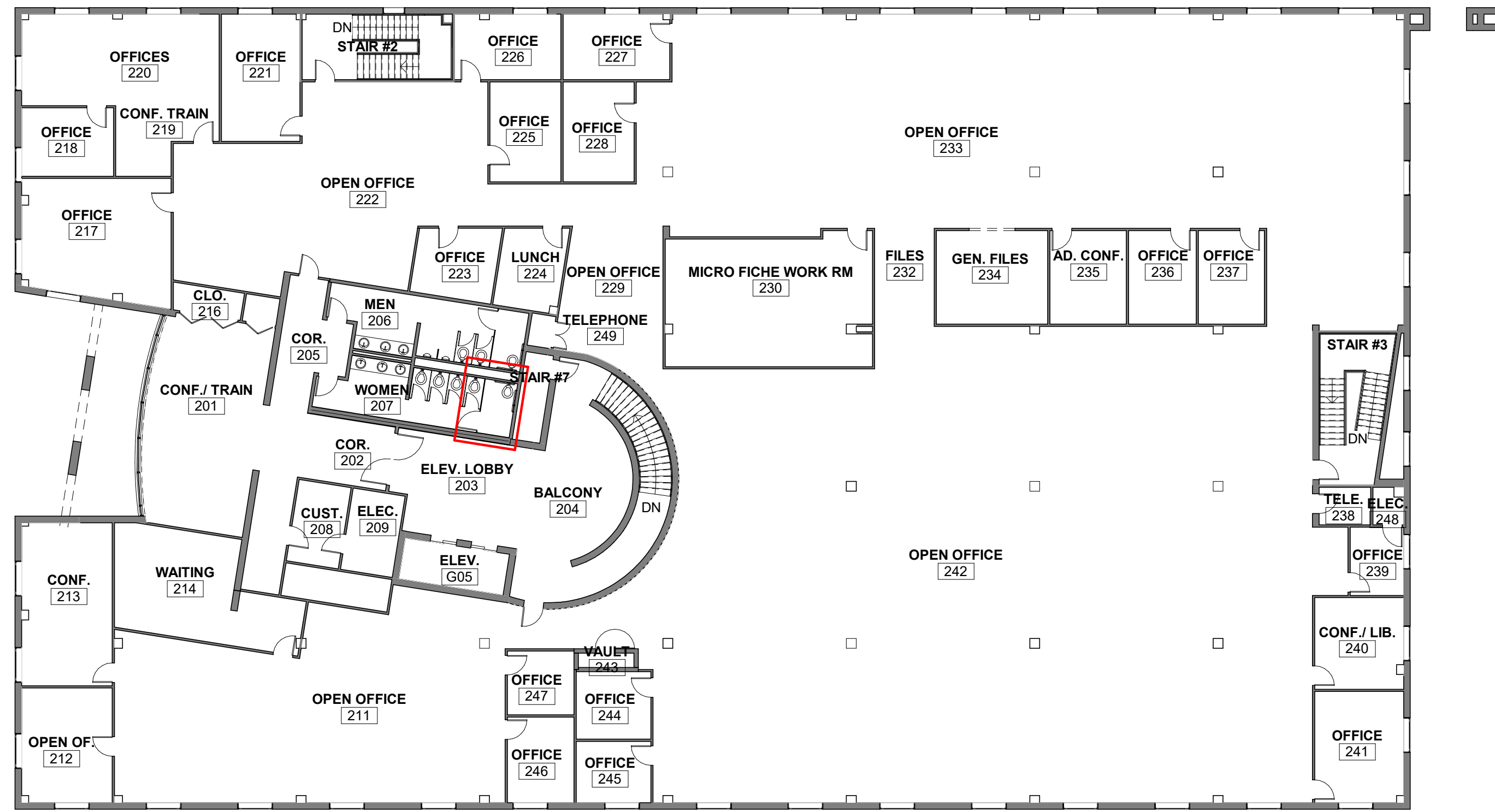


4 GROUND FLOOR BATHROOM RCP
1/2" = 1'-0"



WHERE INDICATED

EXTEND TO UNDERSIDE OF EXISTING STRUCTURE, SEAL FOR ACOUSTIC CLOSURE.



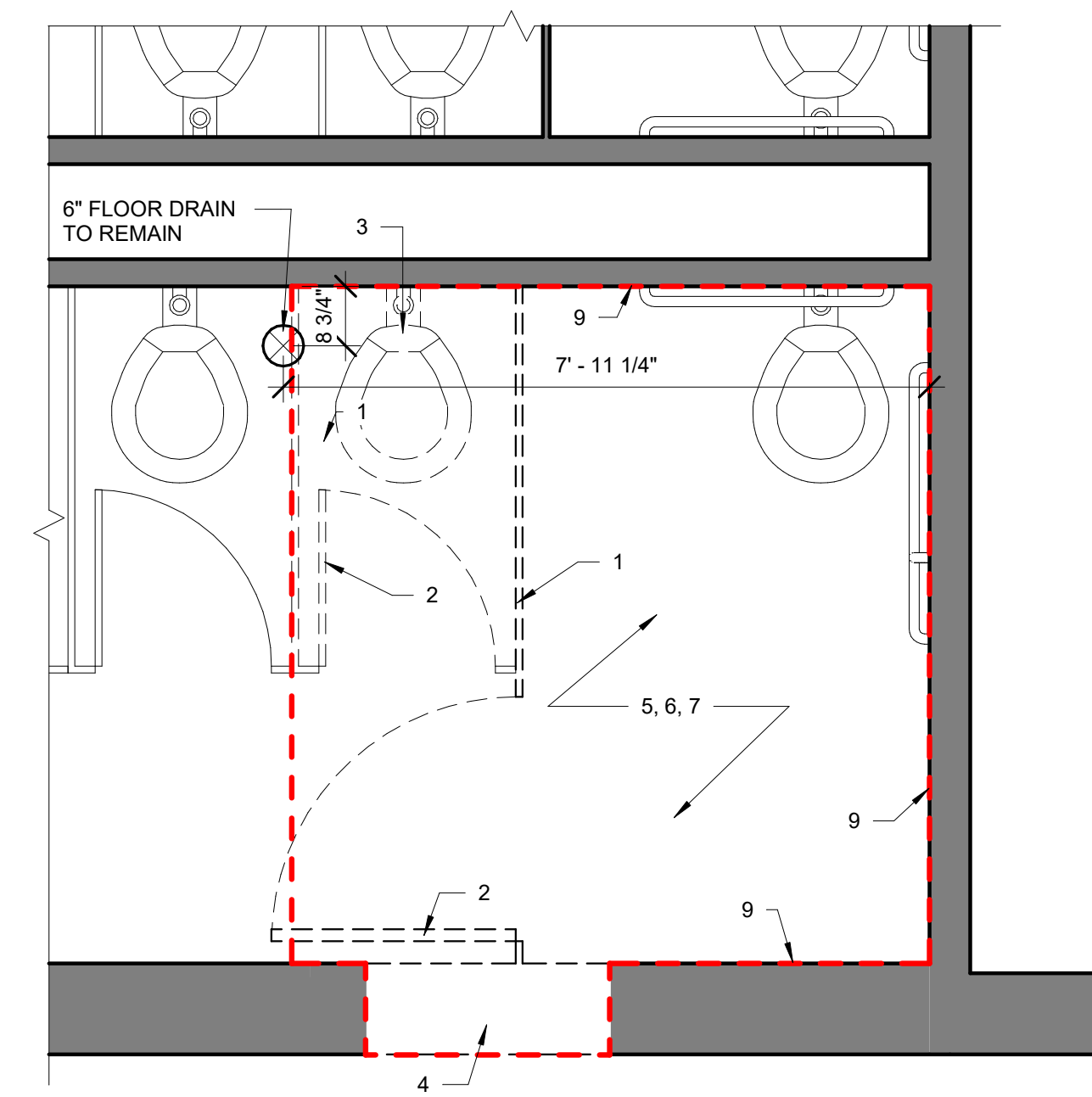
1 EXISTING SECOND FLOOR - KEYPLAN
1/16" = 1'-0"

DEMO KEYNOTES:

1. REMOVE TOILET PARTITIONS SHOWN
2. REMOVE TOILET PARTITION DOOR
3. REMOVE PLUMBING FIXTURE + CAP WASTE LINE BELOW FLOOR LEVEL / PATCH FLOOR AS NECESSARY. REMOVE PORTION OF WALL AS NECESSARY TO REMOVE WALL CARRIER.
4. REMOVE PORTION OF WALL FOR NEW OPENING, PATCH FLOORS, JAMBS, AND CEILINGS AS REQ. MODIFY EXISTING FRAMING FOR NEW OPENING. MAINTAIN 1 HR FIRE RATING.
5. DEMO EXISTING ACT CEILING
6. DEMO EXISTING LIGHT FIXTURES
7. DEMO EXISTING FINISH FLOORING TO LIMITS OF NEW SINGLE USER TOILET.
8. SALVAGE AND REMOVE EXISTING GRAB RAILS FOR REUSE AFTER NEW WALL FINISHES ARE INSTALLED.
9. REMOVE EXISTING WALL TILE AND BACKER BOARD.

DEMO LEGEND:

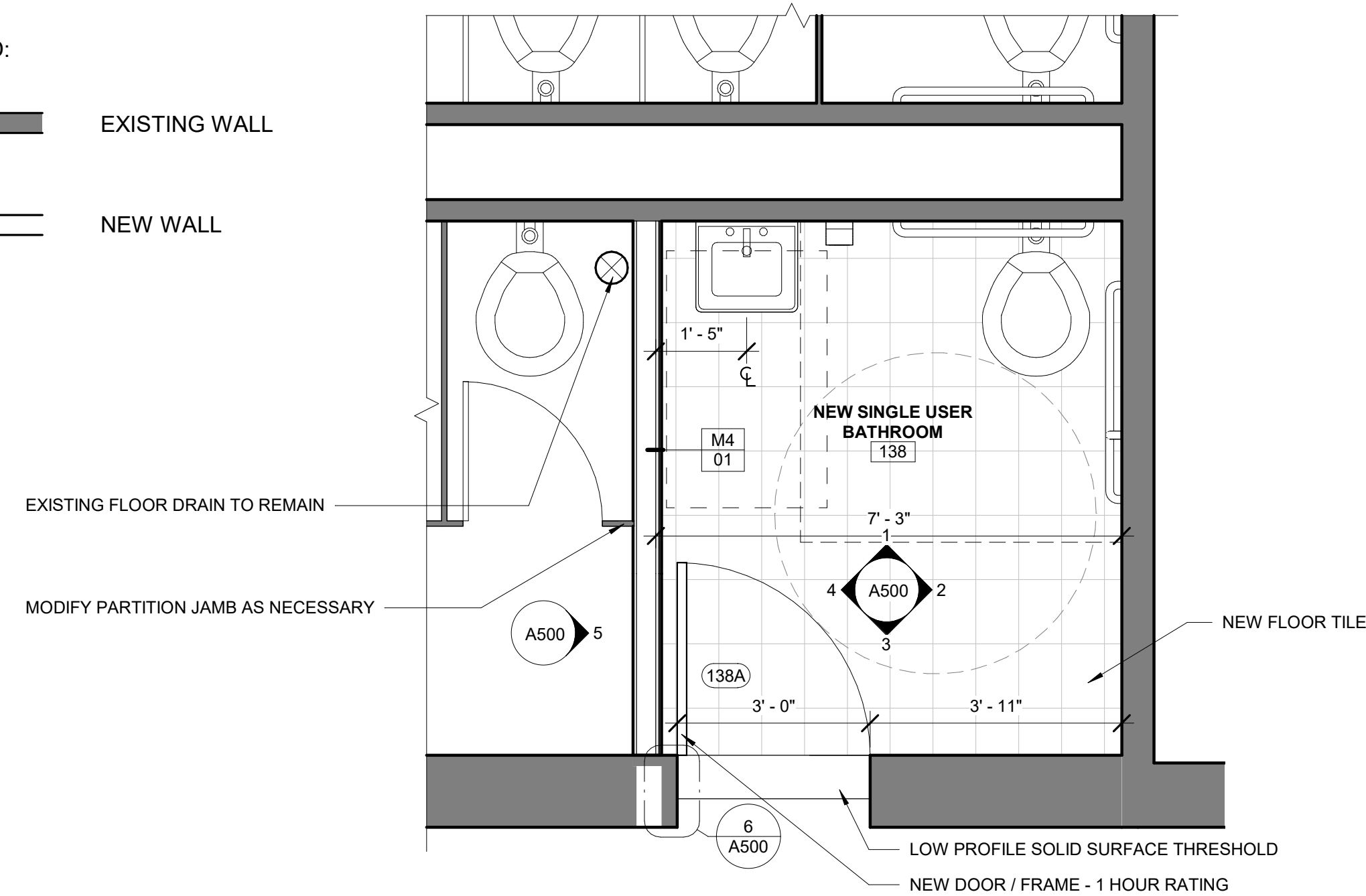
- EXISTING TO REMAIN
- TO BE DEMO'D
- EXTENT OF DEMO WORK



2 SECOND FLOOR BATHROOM DEMO
1/2" = 1'-0"

WALL LEGEND:

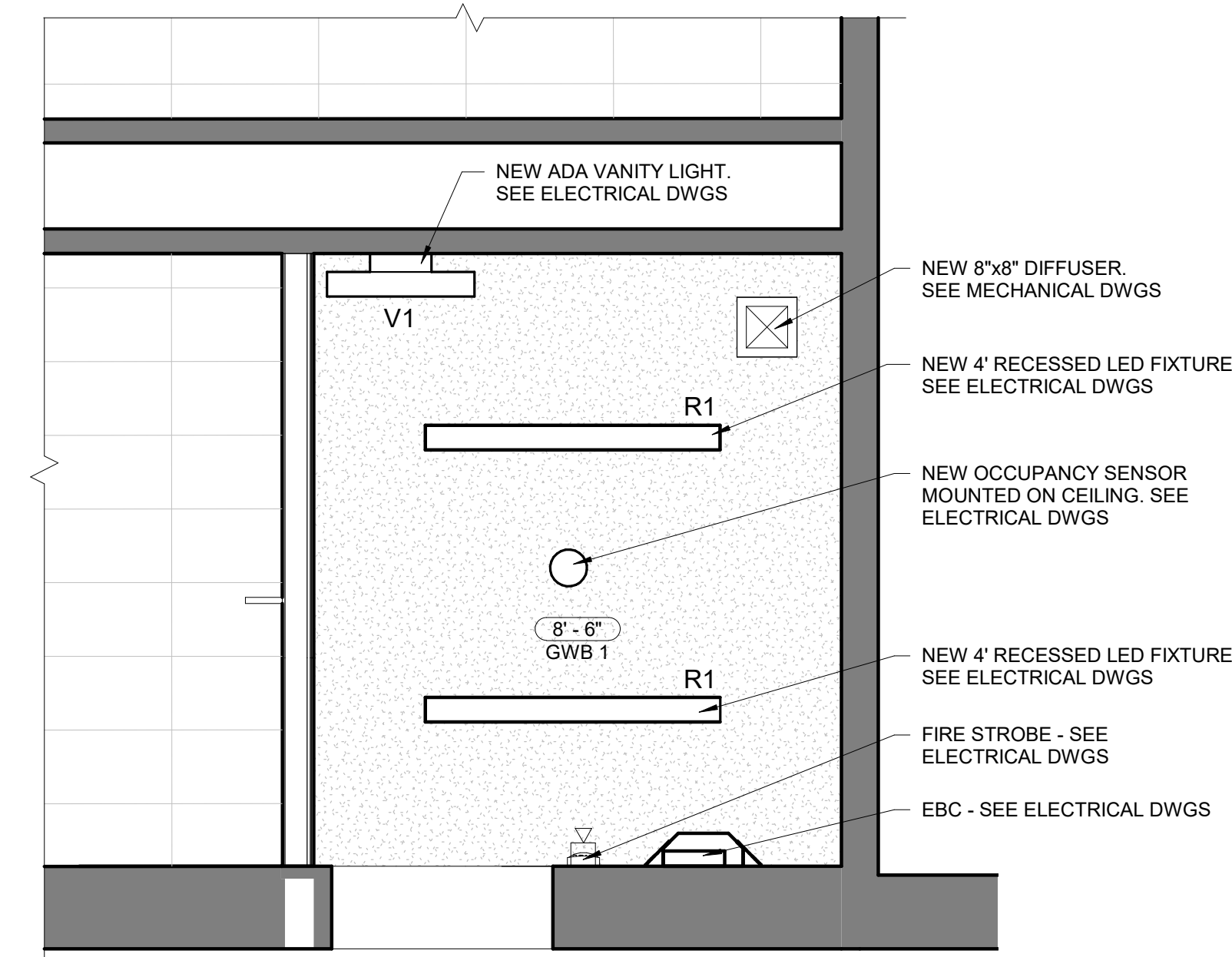
- EXISTING WALL
- NEW WALL



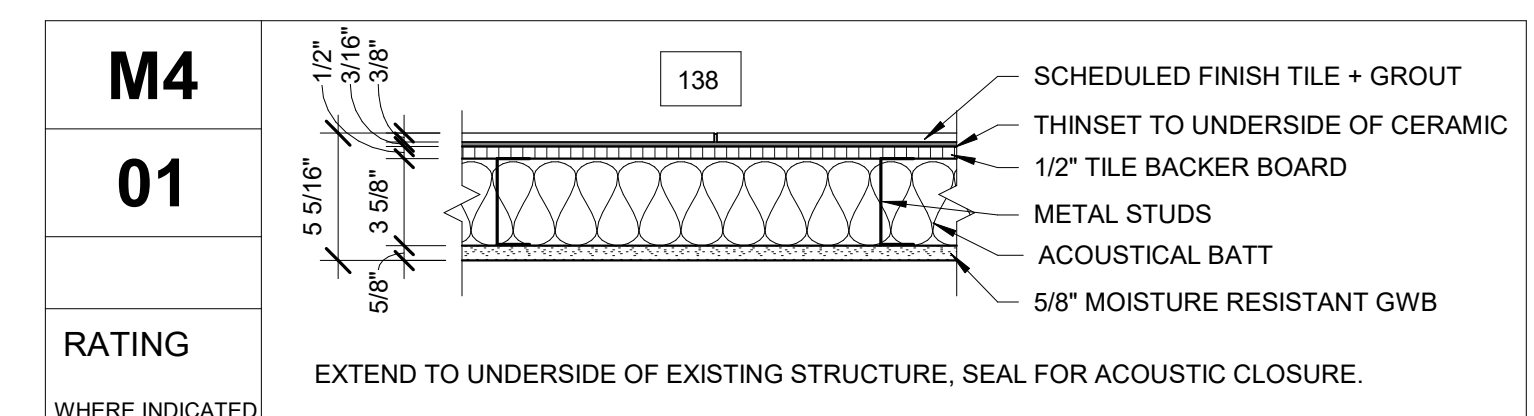
3 SECOND FLOOR BATHROOM
1/2" = 1'-0"

RCP LEGEND

- R1 - RECESSED LINEAR FIXTURE
- V1 - VANITY LIGHT
- GWB 1 - 5/8" GWB CEILING



4 SECOND FLOOR RCP
1/2" = 1'-0"



75 York Street
Portland, Maine 04101
simonsarchitects.com
207.772.4656

GENERAL DEMOLITION NOTES:

1. G.C. TO PROTECT ADJACENT AREAS NOT AFFECTED BY CONSTRUCTION.
2. G.C. AND SUBCONTRACTOR TO FIELD VERIFY ALL FIELD CONDITIONS PRIOR TO BIDDING AND CONSTRUCTION.
3. ALL EXISTING MATERIALS NOTED TO BE REMOVED SHALL BE PROPERLY DISPOSED BY G.C. UNLESS NOTED OTHERWISE. OWNER RESERVES THE RIGHT TO RETAIN AN ITEM NOTED FOR DEMOLITION.
4. G.C. SHALL COORDINATE EXTENT OF ALL DEMOLITION WORK WITH NEW CONSTRUCTION. REFER TO COMPLETE DRAWING SET TO COORDINATE DEMOLITION WORK WITH TRADES.
5. ALL ELECTRICAL, PLUMBING, AND MECHANICAL LOCATED IN WALLS AND CEILINGS NOTED TO BE REMOVED SHALL BE EITHER REMOVED BACK TO THE SOURCE OR LOCATED OUT OF HARM'S WAY. FOR RELOCATIONS IN NEW CONSTRUCTION, G.C. TO COORDINATE.
6. REMOVE ALL LIGHT FIXTURES AND DISPOSE UNLESS OTHERWISE NOTED TO BE SALVAGED.
7. REFER TO MECHANICAL, ELECTRICAL, AND PLUMBING FOR ADDITIONAL DEMOLITION SCOPE.
8. PHOTOS PROVIDED FOR REFERENCE ONLY. REFER TO PLANS AND KEYNOTES FOR MORE INFORMATION.
9. REFER TO ADD ALTERNATE DESCRIPTIONS FOR ADDITIONAL DEMOLITION SCOPE.
10. NOTE: FULL BUILDING OCCUPANCY DURING CONSTRUCTION.

PROJECT NAME:

BMV - SINGLE USER RESTROOMS

101 HOSPITAL ST.
AUGUSTA, ME 04330

SEAL:



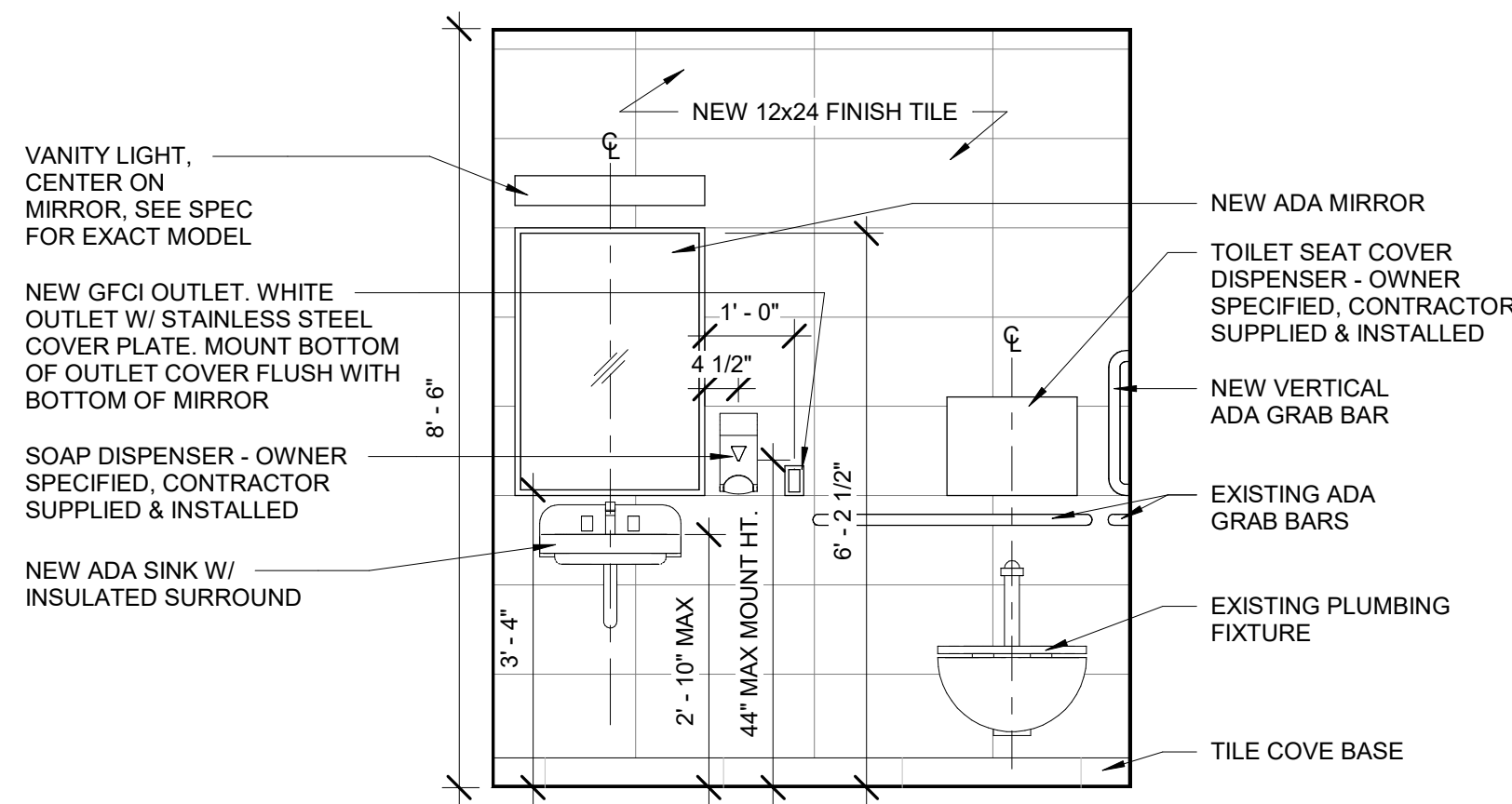
THIS DRAWING IS THE PROPERTY OF SIMONS ARCHITECTS (SA) AND IS NOT TO BE COPIED OR REPRODUCED IN PART OR WHOLE.
2023 © SIMONS ARCHITECTS, LLC

REVISIONS

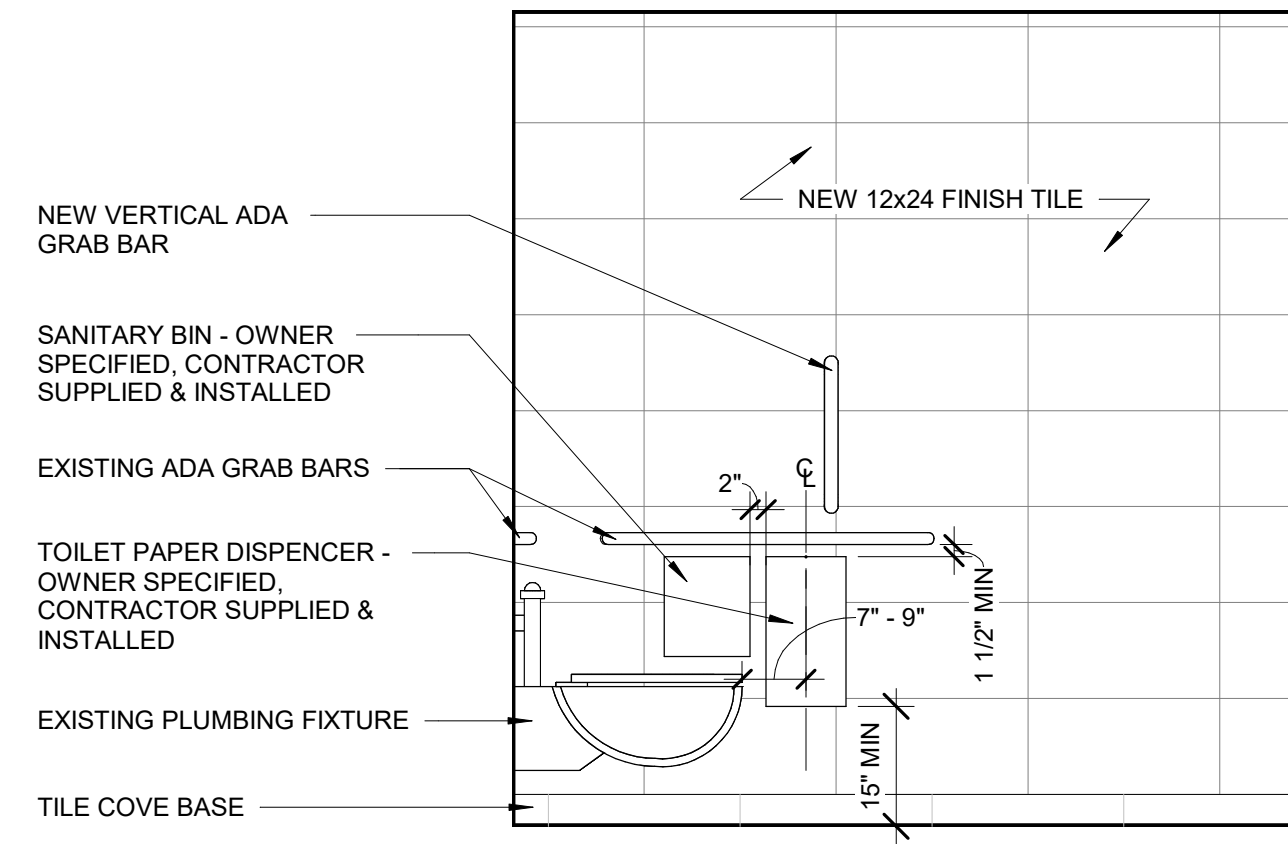
DATE OF ISSUE: 08/21/2023
PROJECT NUMBER: 2023-0010
STATUS: ISSUED FOR BIDDING

SECOND FLOOR BATHROOM - BASE BID

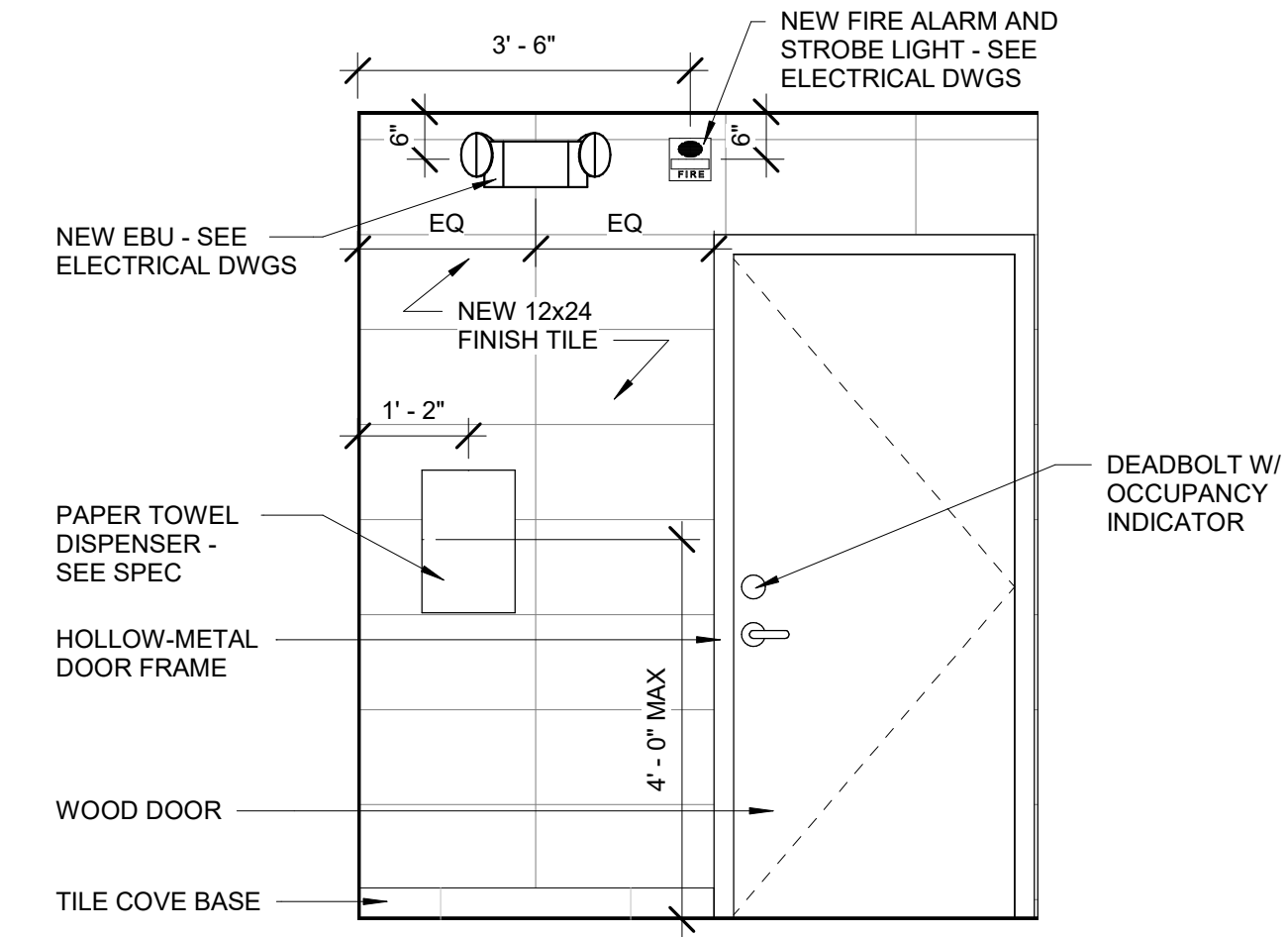
A122



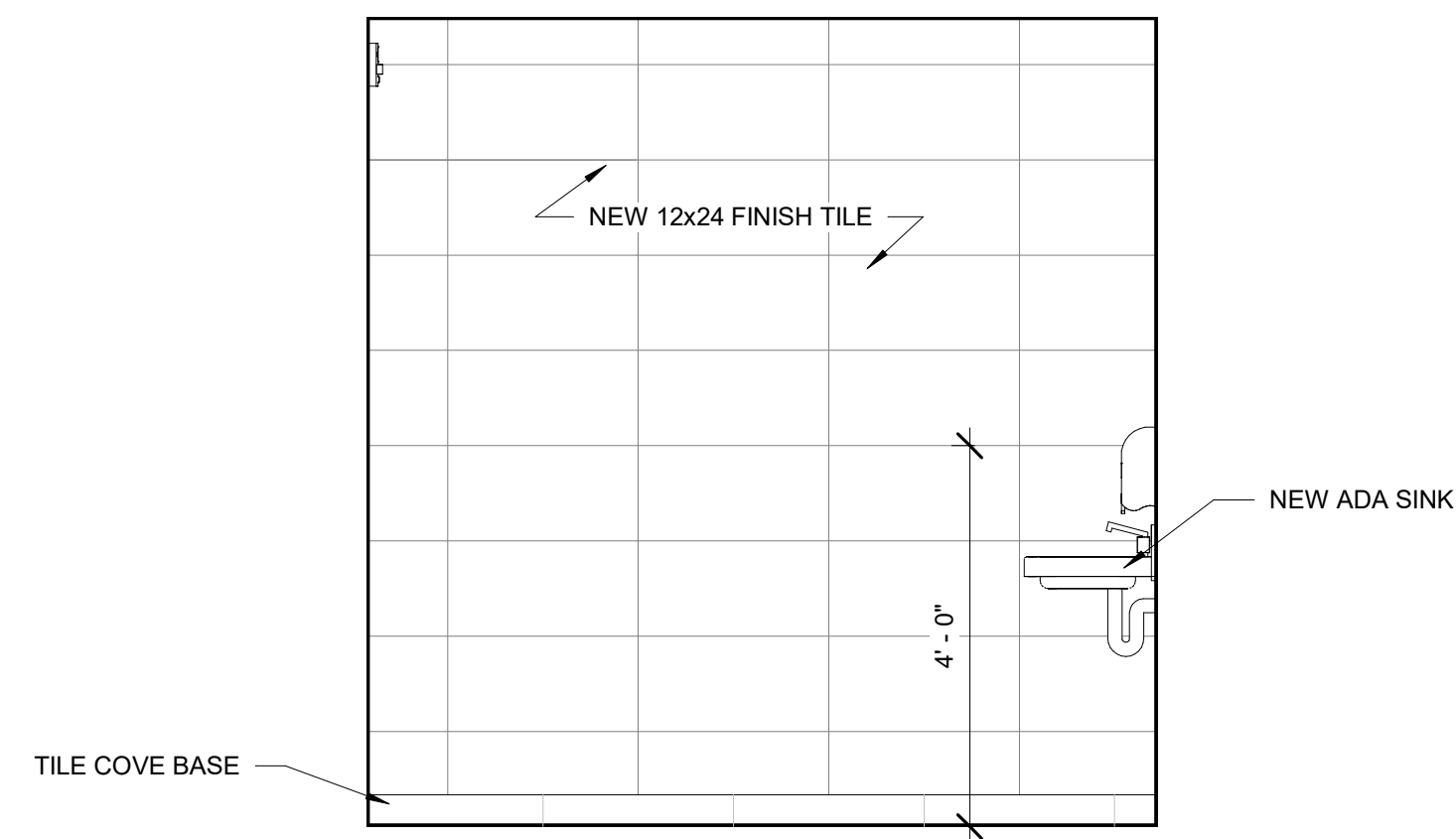
1 TYP. SINGLE USER BATHROOM ELEVATION 1
1/2" = 1'-0"



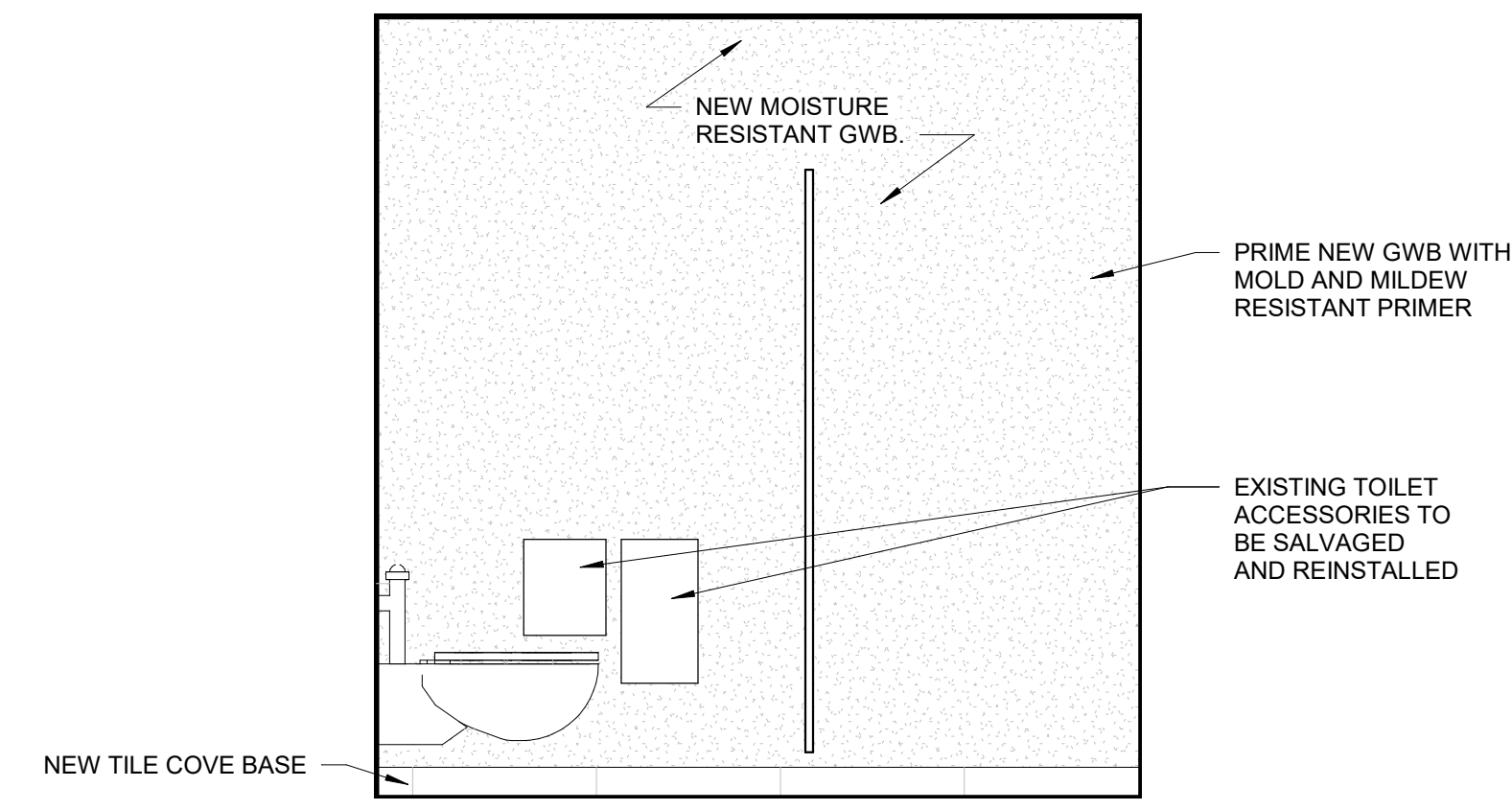
2 TYP. SINGLE USER BATHROOM ELEVATION 2
1/2" = 1'-0"



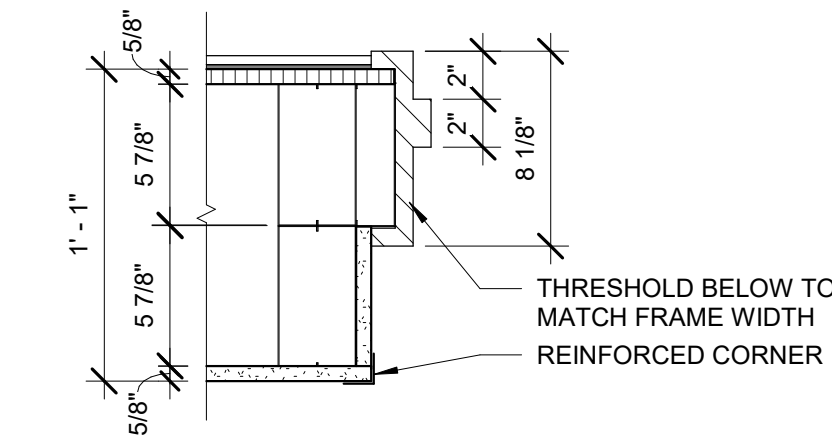
3 TYP. SINGLE USER BATHROOM ELEVATION 3
1/2" = 1'-0"



4 TYP. SINGLE USER BATHROOM ELEVATION 4
1/2" = 1'-0"



5 TYP. SINGLE USER BATHROOM ELEVATION 5
1/2" = 1'-0"



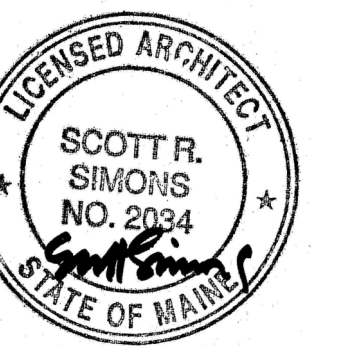
6 JAMB @ DOOR 131A & 138A
1 1/2" = 1'-0"

PROJECT NAME:

BMV - SINGLE USER RESTROOMS

101 HOSPITAL ST.
AUGUSTA, ME 04330

SEAL:



THIS DRAWING IS THE PROPERTY OF SIMONS ARCHITECTS (SA) AND IS NOT TO BE COPIED OR REPRODUCED IN PART OR WHOLE.
2023 © SIMONS ARCHITECTS, LLC

REVISIONS

DATE OF ISSUE: 08/21/2023
PROJECT NUMBER: 2023-0010
STATUS: ISSUED FOR BIDDING

INTERIOR BATHROOM ELEVATIONS

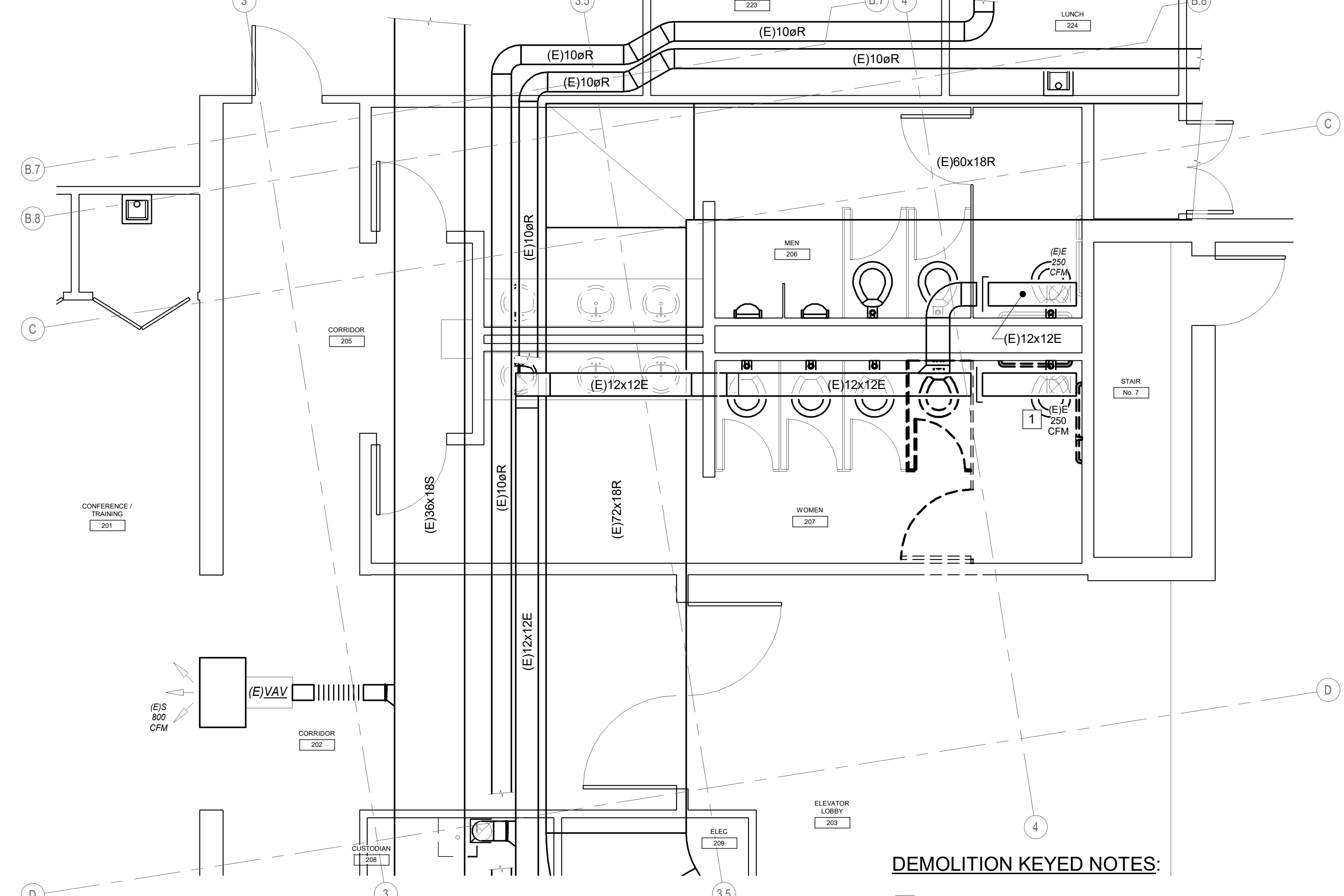
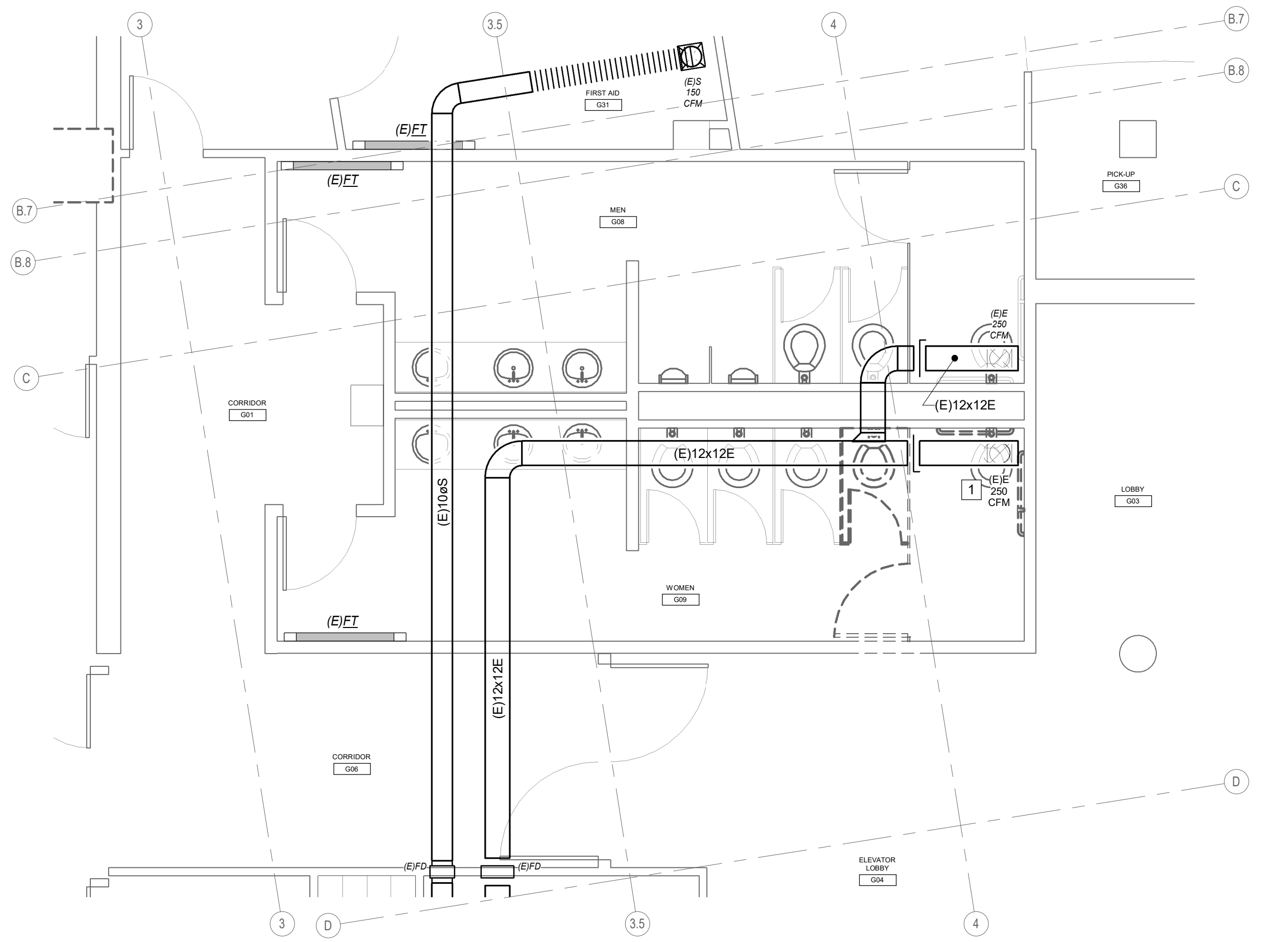
A500

BATHROOM ACCESSORIES SCHEDULE						
TOILET PAPER DISPENSER	SOAP DISPENSER	SEAT COVER DISPENSER	SANITARY NAPKIN RECEPTACLE	PAPER TOWEL DISPENSER	DUAL NAPKIN / TAMPON DISPENSER	VERTICAL GRAB BAR
IMPACT #2519 DOUBLE ROLL DISPENSER	SPARTAN BLACK FOAMY 975700	KIMBERLY CLACK 09506	RUBBERMAID SANITARY NAPKIN RECEPTACLE 6140	SAN JAMAR ULTRAFOLD DISPENSER T1700BK	HOSPECO D1-25C	LENGTH, FINISH, & DIAMETER TO MATCH EXISTING GRAB BARS

GENERAL NOTES:

- G.C. TO INSTALL BLOCKING FOR ALL BATHROOM ACCESSORIES

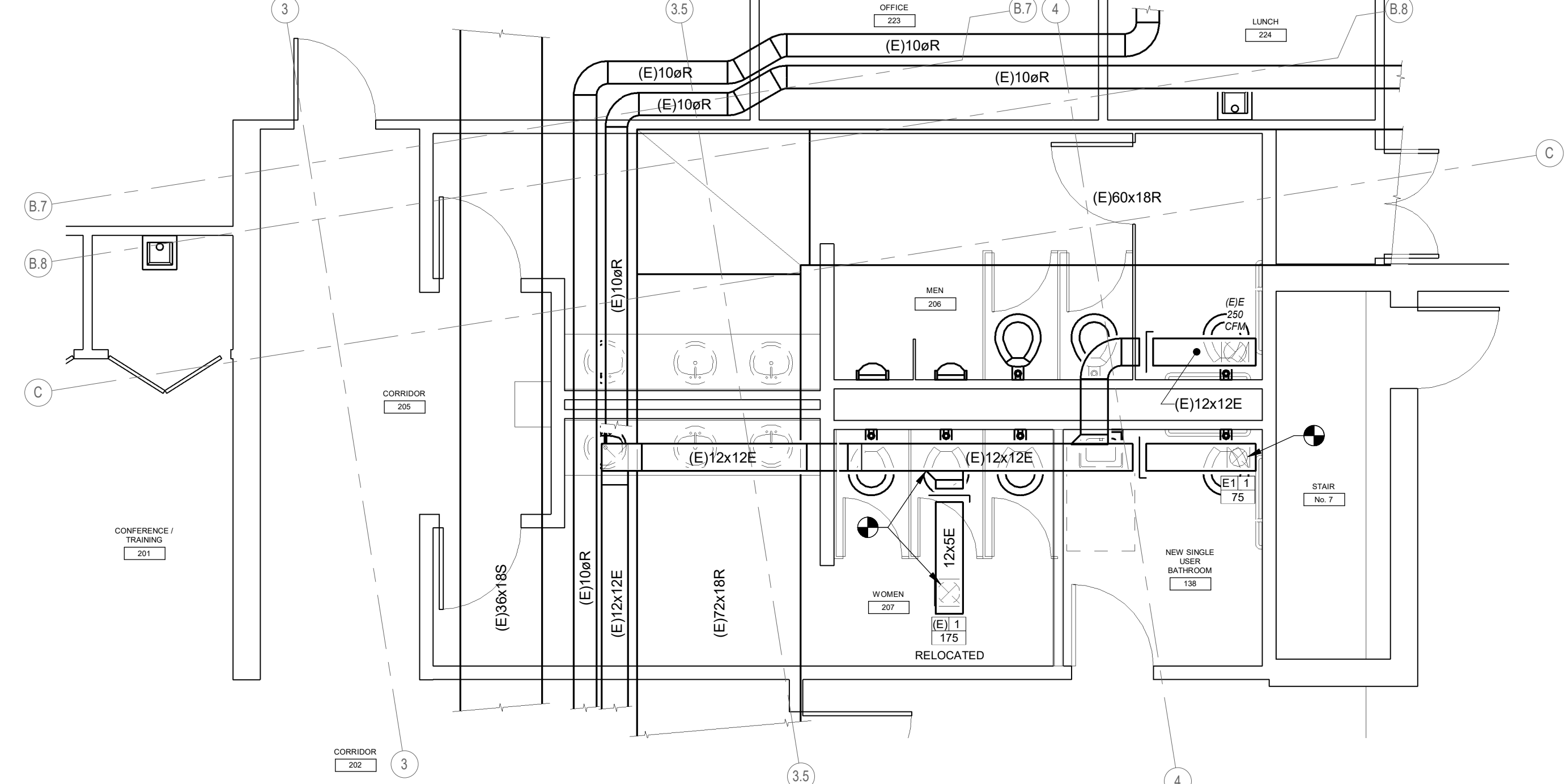
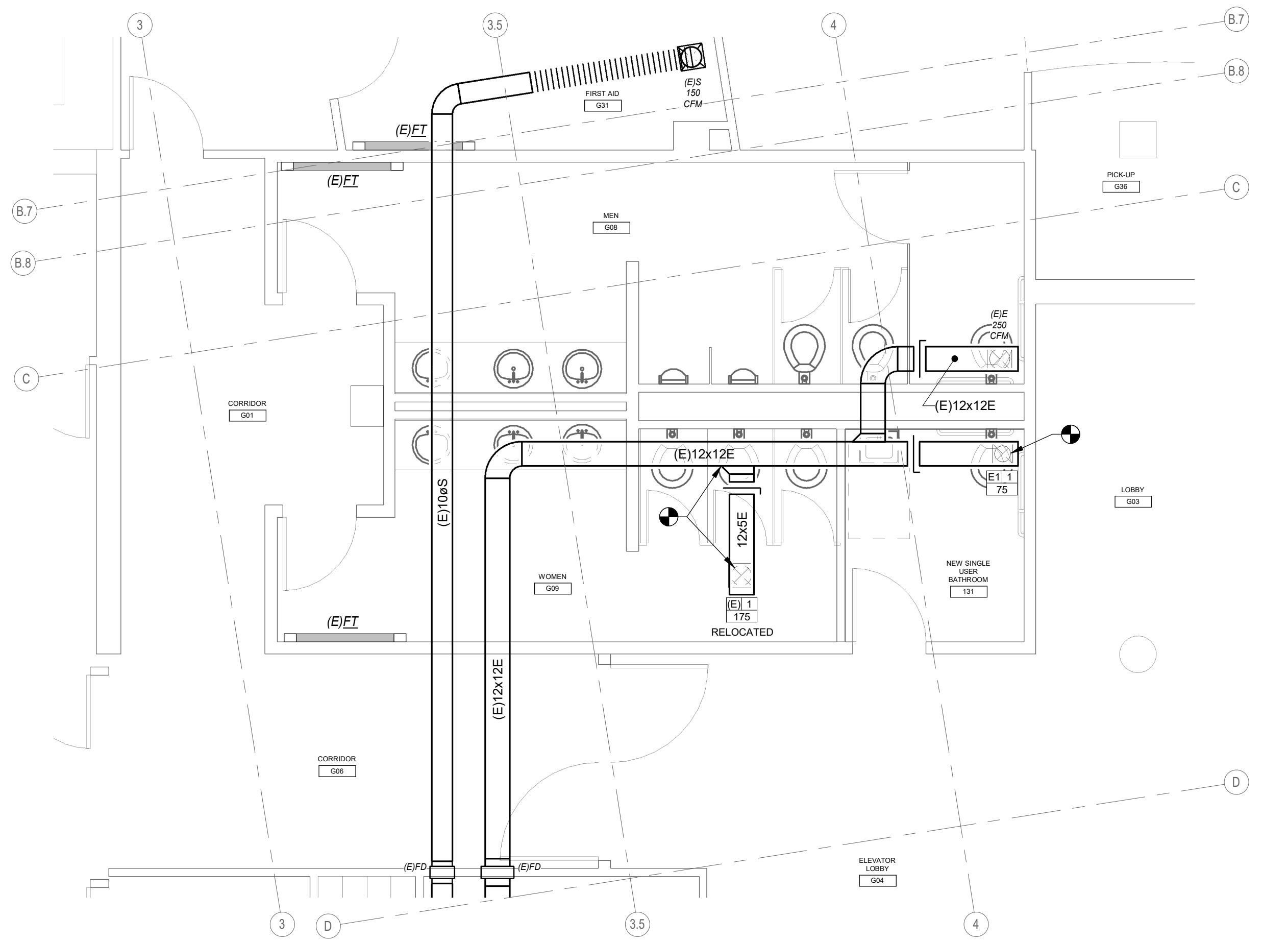
DOOR SCHEDULE									
Tag	Room	Description	Size			Material	Frame Material	Fire Rating	Comments
			Width	Height	Thickness				
131A	131	SC WOOD PTD FLUSH	3'-0"	7'-0"	0' - 1 3/4"	SC WOOD RATED	HM	1HR	ALTERNATE
138A	138	SC WOOD PTD FLUSH	3'-0"	7'-0"	0' - 1 3/4"	SC WOOD RATED	HM	1HR	BASE BID



DEMOLITION KEYED NOTES:
1 REMOVE EXISTING EXHAUST GRILLE COMPLETE - RELOCATE AS NOTED.

D1 MECHANICAL DEMOLITION PART PLAN - GROUND FLOOR - ALTERNATE #1
1/4" = 1'-0"

D6 MECHANICAL DEMOLITION PART PLAN - SECOND FLOOR - BASE BID
1/4" = 1'-0"



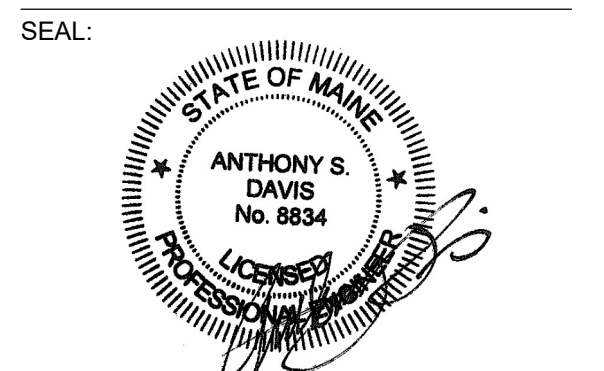
REGISTERS - GRILLES - DIFFUSERS (RGD) SCHEDULE

TAG	MFR.	MODEL	TYPE	NECK SIZE	FACE SIZE	MAX CFM	MAX TOTAL P.D. (IN.W.C.)	MAX NC LEVEL	BLOW	NOTES
E-1	PRICE	630	ALUM. RETURN, 3/4" SPACING, 45 DEG VANES	8" X 8"	9.75" X 9.75"	110	0.05"	20	-----	6" DIA RUNOUT

A1 MECHANICAL PART PLAN - GROUND FLOOR - ALTERNATE #1
1/4" = 1'-0"

A6 MECHANICAL PART PLAN - SECOND FLOOR - BASE BID
1/4" = 1'-0"

PROJECT NAME:
BMV - SINGLE USER RESTROOMS
101 HOSPITAL ST.
AUGUSTA, ME 04330



THIS DRAWING IS THE PROPERTY OF SIMONS ARCHITECTS (SA) AND IS NOT TO BE COPIED OR REPRODUCED IN PART OR WHOLE.
2023 © SCOTT SIMONS ARCHITECTS, LLC

REVISIONS

NO.	DESCRIPTION

DATE OF ISSUE: 08/21/2023
PROJECT NUMBER: 2023-0010
STATUS: ISSUED FOR BIDDING

MECHANICAL PART PLANS

M100

ISSUED FOR BIDDING - 08/21/2023

BMV_300/22032 - BMV Restroom Renovation/23032MEP_R21.rvt

A	AMPERE	MC MICROPHONE
AC	ALTERNATING CURRENT	MW MICROWAVE
AFF	ABOVE FINISHED FLOOR	MLO MAIN LUG ONLY
AFG	ABOVE FINISHED GRADE	MT MOUNT
AHU	AIR HANDLING UNIT	MTS MANUAL TRANSFER SWITCH
AIC	AMPERS INTERRUPTING CAPACITY	MCP MOTOR CONTROL PANEL
ATS	AUTOMATIC TRANSFER SWITCH	MH METAL HALIDE
AWG	AMERICAN WIRE GAUGE	MDP MAIN DISTRIBUTION PANEL
BAS	BUILDING AUTOMATION SYSTEM	MIN MINIMUM
BKBD	BACKBOARD	N NEUTRAL
C	CONDUIT	NC NORMALLY CLOSED
CAT	CATALOG, CATEGORY	NEC NATIONAL ELECTRICAL CODE
CATV	CABLE TV	NEMA NATIONAL ELECTRICAL MANUFACTURERS ASSOCIATION
CB	CIRCUIT BREAKER	NFPANATIONAL FIRE PROTECTION ASSOCIATION
CCTV	CLOSED CIRCUIT TELEVISION	NIC NOT IN CONTRACT
CM	CIRCULAR MILS	NF NON-FUSED
COMM	COMMUNICATIONS	NO NORMALLY OPEN
CU	MECH CONDENSING UNIT	NO, # NUMBER
CU	COPPER	NTS NOT TO SCALE
CUH	CABINET UNIT HEATER	OC ON CENTER
DC	DIRECT CURRENT	ODD OCCUPANCY
DDC	DIGITAL DIRECT CONTROL	OH OVERHEAD
DN	DOWN	P POLE
DW	DISHWASHER	PA PUBLIC ADDRESS
DWG	DRAWING	PB PULLBOX
EF	EXHAUST FAN	PH, PHASE
ELEV	ELEVATOR	PIR PASSIVE INFRARED
EMT	ELECTRICAL METALLIC TUBING	PNL PANELBOARD
EP	EXPLOSION PROOF	P/O PART OF
ERU	ENERGY RECOVERY UNIT	PV PHOTOVOLTAIC
EWC	ELECTRIC WATER COOLER	PVC POLY-VINYL CHLORIDE
FACP	FIRE ALARM CONTROL PANEL	REC RECEPTACLE RECEIPT
FB	FLOOR BOX	REF REFRIGERATOR
FLA	FULL LOAD AMPS	RF RETURN FAN
FWE	FURNISHED WITH EQUIPMENT	RGS RIGID GALVANIZED STEEL
G, GND	GROUND	RM ROOM
GFCI	GROUND FAULT CIRCUIT INTERRUPTER	RMC RIGID METAL CONDUIT
GFP	GROUND FAULT PROTECTION	RTU ROOFTOP UNIT
HID	HIGH INTENSITY DISCHARGE	REF REFRIGERATOR
HOA	HAND-OFF-AUTO SELECTOR SWITCH	SF SUPPLY FAN
HP	HORSEPOWER	SPDTSINGLE POLE, DOUBLE THROW
HVAC	HEATING, VENTILATION AND COOLING UNIT	SQ SQUARE
IDS	INTRUSION DETECTION SYSTEM	TEL TELEPHONE
IG	ISOLATED GROUND	TVSSTRANSIENT VOLTAGE SURGE SUPPRESSOR
IMC	INTERMEDIATE METAL CONDUIT	TYP TYPICAL
IR	INFRARED	UF UNDER FLOOR
K	KILO	UG UNDERGROUND
KCMIL	KILO CIRCULAR MILS	UH UNIT HEATER
KW	KILOWATT	UL UNDERWRITER'S LABORATORY
KVA	KILO VOLT-AMPS	UNO UNLESS NOTED OTHERWISE
LAN	LOCAL AREA NETWORK	UPS UNINTERRUPTIBLE POWER SUPPLY
LC	LIGHTING CONTACTOR	V VOLTS
LF	LINEAR FEET	VFD VARIABLE FREQUENCY DRIVE
LC	LOADCENTER	VIF VERIFY IN FIELD
LCP	LIGHTING CONTROL PANEL	W WATT
LED	LIGHT EMITTING DIODE	WP WEATHERPROOF
LTG	LIGHTING	WG WIREGUARD
LTS	LIGHTS	XPFR TRANSFORMER
MAX	MAXIMUM	(E) EXISTING ITEM TO REMAIN
MCB	MAIN CIRCUIT BREAKER	(R) REMOVE ITEM AND DISPOSE OF PROPERLY
MECH	MECHANICAL	(ER) RELOCATED ITEM AT NEW LOCATION
MH	MOUNTING HEIGHT	(RL) REMOVE AND RELOCATE

PROJECT NOTES

- THE SCOPE OF WORK SHALL INCLUDE PROVIDING ALL WORK INDICATED UNLESS OTHERWISE SPECIFICALLY INDICATED AS EXISTING OR WORK BY OTHERS, AND COORDINATION WITH ALL TRADES SCOPE OF WORK AS INDICATED ON THE CONTRACT DOCUMENTS INCLUDING BOTH THE DRAWINGS AND THE SPECIFICATIONS, WHICH ARE COMPLIMENTARY. WORK REQUIREMENTS INDICATED IN ANY CONTRACT DOCUMENT SHALL BE CONSIDERED PART OF THE SCOPE OF WORK, UNLESS SPECIFICALLY INDICATED AS EXISTING OR WORK BY OTHERS.
- IN GENERAL, WORK REQUIREMENTS ARE NOT INDICATED IN BOTH DOCUMENTS, WHERE DOCUMENTS CONFLICT WITHIN THEMSELVES OR WITH CODES AND REGULATIONS, PROVIDE THE HIGHER QUANTITY AND QUALITY AND FOLLOW THE STRICTER REQUIREMENTS.
- WORK AT A MINIMUM SHALL BE IN ACCORDANCE WITH OSHA, NFPA STANDARDS, THE ELECTRICAL CODE AND THE LOCAL GOVERNING AUTHORITIES. THE DRAWINGS AND SPECIFICATIONS DO NOT ATTEMPT TO INDICATE ALL WORK REQUIRED BY CODE AND AUTHORITIES. DO NOT INSTALL WORK THAT DOES NOT MEET THE MINIMUM REQUIREMENTS. IF NECESSARY, REQUEST CLARIFICATION FROM ARCHITECT AND ENGINEER BEFORE PROCEEDING.
- ALL EQUIPMENT SHALL BE INSTALLED IN A NEAT AND PROFESSIONAL MANNER. RECTILINEAR TO BUILDING STRUCTURE.
- IF EXACT LOCATION, MOUNTING OR RACEWAY ROUTING ARE NOT INDICATED OR ARE NOT CLEAR OR CONFLICT (LOCATION OR HEIGHT) COORDINATE WITH OTHER TRADES AND REQUEST CLARIFICATION PRIOR TO ROUGH-IN OR INSTALLATION. DRAWINGS ARE DIAGRAMMATIC ONLY. EXACT LOCATION, MOUNTING HEIGHTS OR EQUIPMENT AND ROUTING OF RACEWAYS SHALL BE COORDINATED WITH THE EQUIPMENT REQUIREMENTS AND FIELD CONDITIONS.
- WHERE LOADS ARE ADDED TO EXISTING BRANCH CIRCUITS, VERIFY THAT THE EXISTING CIRCUITS HAVE ADEQUATE CAPACITY TO SUPPORT THE ADDITIONAL LOAD WITHOUT EXCEEDING SPECIFIED MAXIMUM LOAD.
- UNLESS OTHERWISE DIRECTED, PROVIDE ALL NEW POWER DISTRIBUTION EQUIPMENT WITH AIC RATINGS THAT MATCH OR EXCEED THE AIC RATING OF THE NEXT ACTIVE EXISTING UPSTREAM OVER-CURRENT PROTECTIVE DEVICE SERVING THE PANEL WHEN SERVED DIRECTLY BY ITS SOURCE (E.G. NO TRANSFORMER) OR PROVIDE AIC RATING THAT EXCEEDS BY 10% THE MAXIMUM LET THROUGH FAULT CURRENT (UNDER INFINITE PRIMARY BUSS) OF THE NEXT ACTIVE UPSTREAM TRANSFORMER (EXISTING OR NEW) SERVING THE RESPECTIVE PANEL.
- ALL NEW PANELS SHALL BE FULLY RATED FOR THE DESIGNATED AIC VALUE; PANELS UTILIZING SERIES RATINGS WILL NOT BE ACCEPTABLE. NEW CIRCUIT BREAKERS PROVIDED IN EXISTING PANELS SHALL BE PROVIDED WITH AIC RATINGS THAT MATCH OR EXCEED THE HIGHEST RATED OVER-CURRENT PROTECTIVE DEVICE WITHIN THE RESPECTIVE EXISTING PANEL.
- REVIEW SHORT CIRCUIT STUDY WITH POWER DISTRIBUTION EQUIPMENT SUBMITTALS FOR REVIEW AND APPROVAL. IN THE STUDY DEMONSTRATE THAT THE AIC RATING SELECTIONS ARE PROPERLY INTEGRATED AND COORDINATED WITH THE EXISTING AND NEW POWER DISTRIBUTION EQUIPMENT. CONFIRM THAT THE AIC RATING SELECTIONS HAVE INCORPORATED THE AVAILABLE FAULT DUTY VALUES OBTAINED FROM THE UTILITY COMPANY FOR THE PROJECT'S ELECTRICAL SERVICE POINT OF COMMON COUPLING.
- SUBMIT OVER-CURRENT PROTECTIVE DEVICE COORDINATION STUDY, FOR ALL NEW POWER DISTRIBUTION EQUIPMENT, WITH THE POWER DISTRIBUTION EQUIPMENT SUBMITTALS FOR REVIEW AND APPROVAL. INCLUDE THE NEXT ACTIVE EXISTING UPSTREAM OVER-CURRENT PROTECTIVE DEVICES, IN THE STUDY ANALYSIS, WHEN PROJECT IS WITHIN AN EXISTING FACILITY.
- SUBMIT ARC FLASH REPORT, FOR ALL NEW POWER DISTRIBUTION EQUIPMENT, WITH POWER DISTRIBUTION EQUIPMENT SUBMITTALS FOR REVIEW AND APPROVAL.

INSTALLATION COORDINATION NOTES

- PRIOR TO ROUGH-IN OF ELECTRICAL PROVISIONS FOR OWNER FURNISHED EQUIPMENT AND EQUIPMENT PROVIDED BY OTHER TRADES, COORDINATE WITH THE GENERAL CONTRACTOR, EQUIPMENT SHOP DRAWINGS AND APPLICABLE EQUIPMENT INSTALLER FOR EXACT LOCATION AND WIRING REQUIREMENTS. PROVIDE ALL NECESSARY EQUIPMENT, WIRING AND ACCESSORIES FOR A COMPLETE INSTALLATION. MAKE ALL FINAL CONNECTIONS AS REQUIRED, I.E. POWER, CONTROL, INTERLOCK, ETC.
- DISCONNECT, REMOVE, RELOCATE, AND RECONNECT ELECTRICAL CONDUIT, WIRING, DEVICES, BOXES, FIXTURES, EQUIPMENT, ETC. AS INDICATED AND AS REQUIRED TO FACILITATE THE WORK OF DIVISION 26 AND OTHER DIVISIONS. THESE DRAWINGS ARE NOT INTENDED TO INDICATE ALL ITEMS TO BE REMOVED.
- ELECTRICAL EQUIPMENT, RACEWAYS AND OUTLETS MOUNTED TO AND OR INSTALLED IN OWNER FURNISHED FURNITURE SHALL BE COORDINATED WITH THE EQUIPMENT AND FURNITURE INSTALLERS AND THE GENERAL CONTRACTOR PRIOR TO ROUGH-IN, EXCEPT WHERE INDICATED OR REQUIRED OTHERWISE.
- THE LOCATION OF EQUIPMENT, OUTLETS, ETC. AS GIVEN ON THE DRAWINGS IS APPROXIMATE. IT SHALL BE UNDERSTOOD THAT THESE LOCATIONS ARE SUBJECT TO MODIFICATION AS MAY BE FOUND NECESSARY OR DESIRABLE AT THE TIME OF INSTALLATION IN ORDER TO MEET PROJECT REQUIREMENTS. SUCH CHANGES SHALL BE MADE WITHOUT EXTRA CHARGE.
- IF EXACT LOCATION, MOUNTING OR RACEWAY ROUTING ARE NOT INDICATED OR ARE NOT CLEAR OR CONFLICT (LOCATION OR HEIGHT) COORDINATE WITH OTHER TRADES AND REQUEST CLARIFICATION PRIOR TO ROUGH-IN OR INSTALLATION. DRAWINGS ARE DIAGRAMMATIC ONLY. EXACT LOCATION, MOUNTING HEIGHTS OR EQUIPMENT AND ROUTING OF RACEWAYS SHALL BE COORDINATED WITH THE EQUIPMENT REQUIREMENTS AND FIELD CONDITIONS.
- WHERE LOADS ARE ADDED TO EXISTING BRANCH CIRCUITS, VERIFY THAT THE EXISTING CIRCUITS HAVE ADEQUATE CAPACITY TO SUPPORT THE ADDITIONAL LOAD WITHOUT EXCEEDING SPECIFIED MAXIMUM LOAD.
- UNLESS OTHERWISE DIRECTED, PROVIDE ALL NEW POWER DISTRIBUTION EQUIPMENT WITH AIC RATINGS THAT MATCH OR EXCEED THE AIC RATING OF THE NEXT ACTIVE EXISTING UPSTREAM OVER-CURRENT PROTECTIVE DEVICE SERVING THE PANEL WHEN SERVED DIRECTLY BY ITS SOURCE (E.G. NO TRANSFORMER) OR PROVIDE AIC RATING THAT EXCEEDS BY 10% THE MAXIMUM LET THROUGH FAULT CURRENT (UNDER INFINITE PRIMARY BUSS) OF THE NEXT ACTIVE UPSTREAM TRANSFORMER (EXISTING OR NEW) SERVING THE RESPECTIVE PANEL.
- ALL NEW PANELS SHALL BE FULLY RATED FOR THE DESIGNATED AIC VALUE; PANELS UTILIZING SERIES RATINGS WILL NOT BE ACCEPTABLE. NEW CIRCUIT BREAKERS PROVIDED IN EXISTING PANELS SHALL BE PROVIDED WITH AIC RATINGS THAT MATCH OR EXCEED THE HIGHEST RATED OVER-CURRENT PROTECTIVE DEVICE WITHIN THE RESPECTIVE EXISTING PANEL.
- REVIEW SHORT CIRCUIT STUDY WITH POWER DISTRIBUTION EQUIPMENT SUBMITTALS FOR REVIEW AND APPROVAL. IN THE STUDY DEMONSTRATE THAT THE AIC RATING SELECTIONS ARE PROPERLY INTEGRATED AND COORDINATED WITH THE EXISTING AND NEW POWER DISTRIBUTION EQUIPMENT. CONFIRM THAT THE AIC RATING SELECTIONS HAVE INCORPORATED THE AVAILABLE FAULT DUTY VALUES OBTAINED FROM THE UTILITY COMPANY FOR THE PROJECT'S ELECTRICAL SERVICE POINT OF COMMON COUPLING.
- SUBMIT OVER-CURRENT PROTECTIVE DEVICE COORDINATION STUDY, FOR ALL NEW POWER DISTRIBUTION EQUIPMENT, WITH THE POWER DISTRIBUTION EQUIPMENT SUBMITTALS FOR REVIEW AND APPROVAL. INCLUDE THE NEXT ACTIVE EXISTING UPSTREAM OVER-CURRENT PROTECTIVE DEVICES, IN THE STUDY ANALYSIS, WHEN PROJECT IS WITHIN AN EXISTING FACILITY.
- SUBMIT ARC FLASH REPORT, FOR ALL NEW POWER DISTRIBUTION EQUIPMENT, WITH POWER DISTRIBUTION EQUIPMENT SUBMITTALS FOR REVIEW AND APPROVAL.

WIRING NOTES

- UNLESS OTHERWISE INDICATED ON PLANS OR IN SPECIFICATIONS; ALL CONDUCTORS, POWER DISTRIBUTION EQUIPMENT BUSSING AND TRANSFORMER WINDINGS SHALL BE FABRICATED OF 98% CONDUCTIVE COPPER MATERIAL.
- WIRING IS INDICATED ON DRAWINGS ONLY FOR SPECIFIC ROUTES OR SPECIAL CONDITIONS.
- BRANCH CIRCUIT WIRING NOT SHOWN, CIRCUITING SHALL IN ACCORDANCE WITH APPLICABLE CODES AND STANDARD PRACTICE. PROVIDE A 20A, 1P CIRCUIT BREAKER FOR EACH LIGHTING AND RECEPTACLE CIRCUIT UNLESS OTHERWISE INDICATED OR NOTED. CONNECT NO MORE THAN SIX DUPLEX CONVENIENCE RECEPTACLES PER BRANCH CIRCUIT. CONNECTED LOAD ON LIGHTING CIRCUITS SHALL NOT EXCEED 12 AMPS.
- ALL WIRING SHALL BE RUN CONCEALED UNLESS SPECIFIED OTHERWISE. ALL EXPOSED WIRING INCLUDING THAT WHICH IS INSTALLED ABOVE BUT IS VISIBLE FROM BELOW, PARTIALLY OR FULLY OPEN CEILING, SHALL BE INSTALLED IN CONDUIT OR RACEWAYS. REFER TO SPECIFICATIONS FOR ACCEPTABLE WIRING METHODS.
- WIRING AND CONDUIT SHALL BE REQUIRED FOR ALL SWITCHES, AND OUTLETS INDICATED WITH CIRCUIT NUMBERS. PROVIDE 3/4" CONDUIT, #12 UNLESS OTHERWISE INDICATED (1 PHASE, 1 NEUTRAL AND 1 GROUND), WIRE AND CONDUIT SIZES ON HOME RUNS SHALL BE CONTINUOUS THROUGHOUT CIRCUIT. REFER TO VOLTAGE DROP CHART ON SCHEDULE SHEET. ALTHOUGH ALL BRANCH CIRCUIT WIRE AND CONDUIT IS NOT SHOWN, IT IS THE INTENT OF THESE DOCUMENTS THAT A COMPLETE BRANCH CIRCUIT WIRING SYSTEM BE INSTALLED.
- RACEWAYS SHALL BE LIMITED TO SIX CURRENT CARRYING CONDUCTORS (PHASE AND NEUTRALS) AND GROUNDING CONDUCTOR. PROVIDE A DEDICATED NEUTRAL CONDUCTOR FOR EACH SINGLE-PHASE RECEPTACLE OR LIGHTING CIRCUIT, UNLESS OTHERWISE INDICATED OR IF AN OVERSIZED NEUTRAL IS SPECIFIED. CIRCUITS WITH SHARED NEUTRALS SHALL BE PROVIDED WITH CIRCUIT BREAKERS THAT HAVE A COMMON TRIP (E.G. FURNITURE WHIPS)
- MARK ALL CONDUITS AND JUNCTION BOXES WITH PERMANENT MARKER INDICATING PANEL AND CIRCUIT NUMBER OF CONDUCTORS CONTAINED WITHIN. LABEL WHERE CONDUITS ENTER PANELS, WIRE WAYS, PULL BOXES, ETC. LABEL EMPTY CONDUITS WITH SYSTEM (VOICE, DATA, SECURITY, ETC.) AND SOURCE OF CONDUIT.
- COORDINATE WITH OWNER TO DETERMINE WHICH RECEPTACLES AND ITEMS OF EQUIPMENT REQUIRE STAIRWELL GENERATOR POWER.
- ELECTRICAL WORK NOT SERVING STAIRWELLS SHALL NOT PASS THROUGH A STAIR ENCLOSURE UNLESS AN APPROVED RATED SOFFIT IS PROVIDED TO MAINTAIN FIRE AND SMOKE RATING.
- ALL RACEWAYS CROSSING EXPANSION JOINTS SHALL BE EQUIPPED WITH EXPANSION FITTINGS.
- PROVIDE WATERTIGHT AND GAS TIGHT SEALS INSIDE AND OUTSIDE OF CONDUITS THAT PENETRATE THE BUILDING BELOW GRADE. O.Z. GEDNEY OR APPROVED EQUAL. PROVIDE WEATHER TIGHT SEAL AT PENETRATIONS ABOVE GRADE.
- PROVIDE NRTL LISTED SMOKE AND FIRE SEALS AT ALL PENETRATIONS THROUGH FLOORS OR FULL HEIGHT (FLOOR TO FLOOR) WALLS.

SYSTEM POWER WIRING NOTES

- ALL VIDEO PROJECTOR, CAMERA AND MONITOR POWER OUTLETS AND THEIR ASSOCIATED COMPUTER POWER OUTLETS FEEDING THE VIDEO SOURCE ARE TO BE CONNECTED TO THE SAME PHASE TO ELIMINATE THE POTENTIAL FOR VIDEO INTERFERENCE BETWEEN VIDEO SOURCE AND EQUIPMENT. COORDINATE ALL POWER WIRING FOR SYSTEM EQUIPMENT WITH THE SYSTEM INSTALLER PRIOR TO INSTALLATION
- RECEPTACLE COLOR CODE NOTES**
- UNLESS OTHERWISE INDICATED PROVIDE 20A HEAVY DUTY GRADE RECEPTACLES WITH COLOR CODE AS FOLLOWS:
- ON GENERATOR POWER – RED
 - ON UPS POWER – BLUE
 - ISOLATED GROUND – ORANGE
 - ON NORMAL POWER – IVORY OR AS SELECTED BY ARCHITECT
- MOUNTING NOTES**
- DO NOT SCALE THE DRAWINGS. REFER TO ARCHITECTURAL DRAWINGS AND EXISTING CONDITIONS FOR EXACT DIMENSIONS.
 - INSTALL ALL ELECTRICAL DEVICES (FIRE ALARM, SWITCHES, RECEPTACLES, WORK BOXES, JUNCTION BOXES, EXIT SIGNS, LUMINAIRES, ETC.) IN THE LOCATIONS IDENTIFIED OR DIMENSIONS ON THE ARCHITECTURAL PLANS, DETAILS, OR ELEVATIONS.
 - IF THE DEVICE LOCATION IS NOT SPECIFICALLY SHOWN ON ARCHITECTURAL DRAWINGS, FOLLOW THE GUIDELINES LISTED BELOW:
 - INSTALL NEARBY DEVICES ON ONE COMMON VERTICAL CENTERLINE
 - INSTALL ADJACENT TO DEVICES LINED UP WITH A COMMON BOTTOM LINE.
 - INSTALL DEVICES AT INDICATED HEIGHT AS APPLICABLE UNLESS OTHERWISE NOTED. ALL MOUNTING HEIGHTS SHALL BE MEASURED FROM FINISHED FLOOR TO CENTERLINE OF DEVICE EXCEPT AS INDICATED BY NOTE 7.
 - ON MASONRY WALLS LINE UP THE BOTTOM OF THE DEVICE WITH A MASONRY JOINT AS CLOSE TO THE INDICATED HEIGHT AS PRACTICAL.
 - INSTALL DEVICES IN SAME AREA AT THE SAME HEIGHT.
 - MOUNT PANELS SIX FEET TO THE TOP OF THE PANEL OR ANNUNCIATOR/ FA GRAPHIC.
 - MOUNT AT 8 FOOT TO BOTTOM FOR SIGNAGE, EMERGENCY LIGHTING, CLOCKS, SECURITY SENSORS, WALL MOUNTED OCCUPANCY SENSORS MODIFIED AS FOLLOWS: 4" FROM TOP OF DEVICE TO CEILING AND 4" ABOVE DOOR FRAMES.
 - LOCATE CONTROL DEVICES AT LEAST 18" FROM AN INSIDE CORNER.
 - SUPPORT WORK FROM THE BUILDING STRUCTURE.
 - IN FINISHED AREAS ELECTRICAL WORK SHALL BE INSTALLED CONCEALED, RECESSED INTO WALLS OR INSTALLED ABOVE HUNG CEILINGS UNLESS OTHERWISE INDICATED.
 - DO NOT INSTALL OUTLETS BACK TO BACK. PROVIDE 24" SPACING IN FIRE RATED WALLS.
 - PROVIDE ELECTRICAL OUTLET PLATE GASKETS SEALS AT RECEPTACLES, SWITCHES AND OTHER ELECTRICAL BOXES ON EXTERIOR WALLS AND INTERIOR WALLS BETWEEN CONDITIONED AND NON-CONDITIONED SPACES.

E2 ELECTRICAL GENERAL NOTES

	PANELBOARD - FLUSH MOUNTED
	PANELBOARD - SURFACE MOUNTED
	DISCONNECT SWITCH
	CABLE TRAY
	MOTOR OR FAN
	JUNCTION BOX, CEILING OR WALL MOUNTED. MAKE CONNECTION TO RESPECTIVE EQUIPMENT. COORDINATE EXACT TERMINATION POINT IN FIELD OR THROUGH APPROVED SUBMITTALS.
	TRANSFORMER - SEE TRANSFORMER SCHEDULE
	INDICATES DEDICATED CIRCUIT OR HOMERUN BACK TO RESPECTIVE PANEL - (2) #12(1) #12G UNO. REFER TO EQUIPMENT SCHEDULES AND PANELBOARD SCHEDULES FOR ADDITIONAL INFORMATION.
	DIVIDED POWER POLE FOR SYSTEM FURNITURE POWER AND DATA WIRING
	MOTORIZED DOOR OPERATOR AND PUSH PADDLE - FURNISHED BY DIVISION 08, WIRED BY DIVISION 26
	ENCLOSED CIRCUIT BREAKER
	AUTOMATIC TRANSFER SWITCH
	SYSTEMS FURNITURE FEED WITH WHIPS, WALL MOUNT OR MOUNTED AT POWER POLE WHERE INDICATED - PROVIDE SINGLE GANG JUNCTION BOX 18" AFF FOR POWER; PROVIDE DOUBLE GANG JUNCTION BOX 18" AFF WITH EMPTY 1" CONDUIT WITH PULLSTRING FOR VOICE/DATA CABLING UP TO 6" ABOVE NEAREST ACCESSIBLE CEILING
	TRIPLE SWITCH FOR MANUAL TRANSFER FROM PERMANENT GENERATOR TO TEMPORARY ROLL-UP GENERATOR WITH CONNECTION (CABLE) PROVISIONS FOR ROLL-UP UNIT (ESL OR EQUAL)
	IN-GRADE PULL HOLE, REFER TO PLANS FOR REQUIRED SIZE
	MOTOR RATED SWITCH WITH THERMAL OVERLOAD PROTECTION

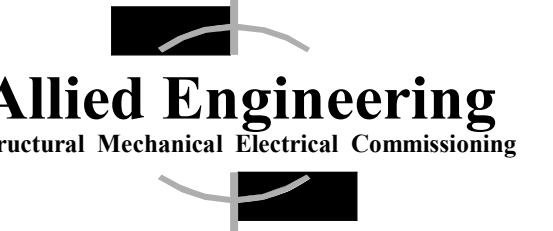
	LIGHTING SWITCHES
	LIGHT SWITCH, 20A, 125/277V
	MULTI-GANGED SWITCHES, GANG UNDER ONE PLATE, LETTER INDICATES SWITCHING
	OCCUPANCY SENSOR SWITCH/OCCUPANCY SENSOR SWITCH
	OCCUPANCY SENSOR SWITCH WITH DIMMING - COORDINATE DIMMING TECHNOLOGY WITH LOAD TO BE DIMMED
	OCCUPANCY SENSOR, CEILING MOUNTED
	DIMMER SWITCH - COORDINATE DIMMING TECHNOLOGY WITH LOAD TO BE DIMMED
	LOW VOLTAGE LIGHT SWITCH, MOMENTARY CONTACT
	DAYLIGHT HARVESTING SENSOR, CEILING MOUNTED
	NOTES: 1. MOUNT LIGHT SWITCHES WITH CENTERLINE 48" AFF, UNO 2. LOWER CASE LETTER AT SWITCH INDICATES SWITCH GROUP
	EMERGENCY AND EXIT LIGHTING
	HATCHING INDICATES FIXTURE CONNECTED TO LIFE SAFETY BRANCH PANEL. FIXTURES SHALL AUTOMATICALLY SWITCH TO FULL ON UPON FIRE ALARM OR LOSS OF NORMAL POWER.
	"EM" INDICATES EMERGENCY WHERE SYMBOL HATCHING IS UNCLEAR
	EXIT SIGN, CEILING MOUNTED, SHADING INDICATES FACE(S) ARROWHEAD INDICATES CHEVRON(S) REQUIRED, CONNECT TO UNSWITCHED PORTION OF AREA LIFE SAFETY LIGHTING BRANCH CIRCUIT, U.N.O.
	EXIT SIGN, WALL MOUNTED, SHADING INDICATES FACE(S) MOUNT AT 7'-6" AFF OR OVER DOOR, CONNECT TO UNSWITCHED PORTION OF AREA LIFE SAFETY LIGHTING BRANCH CIRCUIT, U.N.O.
	EMERGENCY BATTERY LIGHTING UNIT WITH INTEGRAL HEADS
	EMERGENCY LIGHTING REMOTE HEADS
	TYPICAL FOR ALL FIXTURE TYPES: INDICATES LUMINAIRE TYPE ON SCHEDULE
	Diagram showing R1, W1, C1, a, 2, 1, 2, 1, a, 2, 1, a

	SINGLE RECEPTACLES
	SPECIAL RECEPTACLE - REFER TO SPECIAL RECEPTACLE SCHEDULE FOR AMPACITY, NEMA CONFIGURATION, WIRE SIZE AND ADDITIONAL RELATED INFORMATION FOR ASSOCIATED LETTER
	OVERHEAD SPECIAL RECEPTACLE DROP - REFER TO SPECIAL RECEPTACLE SCHEDULE FOR AMPACITY, NEMA CONFIGURATION, WIRE SIZE AND ADDITIONAL RELATED INFORMATION FOR ASSOCIATED LETTER
	NOTES: 1. PROVIDE MATCHING CORD AND PLUG FOR SINGLE RECEPTACLES 2. MOUNT EXTERIOR RECEPTACLES WITH CENTERLINE 24" AFG UNO 3. MOUNT RECEPTACLES WITH CENTERLINE 18" AFF UNO, (30") INDICATES DEVICE MOUNTING HEIGHT WHEN NOT MOUNTED AT 18".
	FLOOR AND CEILING DEVICES
	OVERHEAD RECEPTACLE DROP, DOUBLE DUPLEX CR= CORD REEL
	DUPLEX RECEPTACLE - 20A, 125V, 2P, 3W, NEMA 5-20R
	DOUBLE DUPLEX RECEPTACLE
	GFCI DUPLEX RECEPTACLE, MOUNT 44" AFF UNO
	GFCI DOUBLE DUPLEX RECEPTACLE, MOUNT 44" AFF UNO
	GFCI RECEPTACLE WITH WEATHERPROOF COVER
	GFCI RECEPTACLE IN WP ENCLOSURE ON ROOF
	TECHNOLOGY DEVICES - REFER TO TECHNOLOGY SCHEDULE
	NOTES: 1. MOUNT RECEPTACLES WITH CENTERLINE AT 18" AFF UNO 2. MOUNT EXTERIOR RECEPTACLES WITH CENTERLINE 24" AFG UNO

	FIRE ALARM CONTROL PANEL, MOUNT WITH TOP OF PANEL NOT MORE THAN 72" AFF
	FIRE ALARM TRANSPONDER CABINET
	FIRE ALARM ANNUNCIATOR, MOUNT WITH TOP OF PANEL NOT MORE THAN 72" AFF, WIRED TO FACP
	SMOKE DETECTOR, WIRED TO FACP
	MANUAL PULL STATION, MOUNT 48" AFF
	HORN/STROBE, WALL MOUNTED CANDELA AS NOTED ON PLANS, WIRED TO FACP. MOUNT 80" AFF TO BOTTOM, OR 6" BELOW CEILING, WHICH EVER IS LOWER.
	HORN/STROBE, CEILING MOUNTED, CANDELA AS NOTED ON PLANS, WIRED TO FACP. MOUNT 80" AFF TO BOTTOM, OR 6" BELOW CEILING, WHICH EVER IS LOWER
	STROBE ONLY INDICATING APPLIANCE, CEILING MOUNTED, CANDELA AS NOTED ON PLANS, WIRED TO FACP. CEILING MOUNTED.
	STROBE ONLY INDICATING APPLIANCE, WALL MOUNTED, CANDELA AS NOTED ON PLANS, WIRED TO FACP, MOUNT 80" AFF TO BOTTOM, OR 6" BELOW CEILING, WHICH EVER IS LOWER.
	HORN/STROBE WITH PULL STATION DIRECTLY BELOW, MOUNT 80" AFF TO BOTTOM, OR 6" BELOW CEILING, WHICH EVER IS LOWER.
	REVISIONS
	DATE OF ISSUE: 08/21/2023
	PROJECT NUMBER: 2023-0010
	STATUS: ISSUED FOR BIDDING



75 York Street
Portland, Maine 04101
simonsarchitects.com
207.772.4656



160 Veranda Street
Portland, Maine 04103
T: 207.221.2240
F: 207.221.2246
Web: www.allied-eng.com

© COPYRIGHT 2003 ALLIED ENGINEERING, INC.
Allied Project No: 23032
Cad File:

PROJECT NAME:
BMV - SINGLE USER RESTROOMS
101 HOSPITAL ST.
AUGUSTA, ME 04330

SEAL:

THIS DRAWING IS THE PROPERTY OF SIMONS ARCHITECTS (SA) AND IS NOT TO BE COPIED OR REPRODUCED IN PART OR WHOLE.
2023 © SCOTT SIMONS ARCHITECTS, LLC

DATE OF ISSUE: 08/21/2023
PROJECT NUMBER: 2023-0010
STATUS: ISSUED FOR BIDDING

ELECTRICAL LEGEND

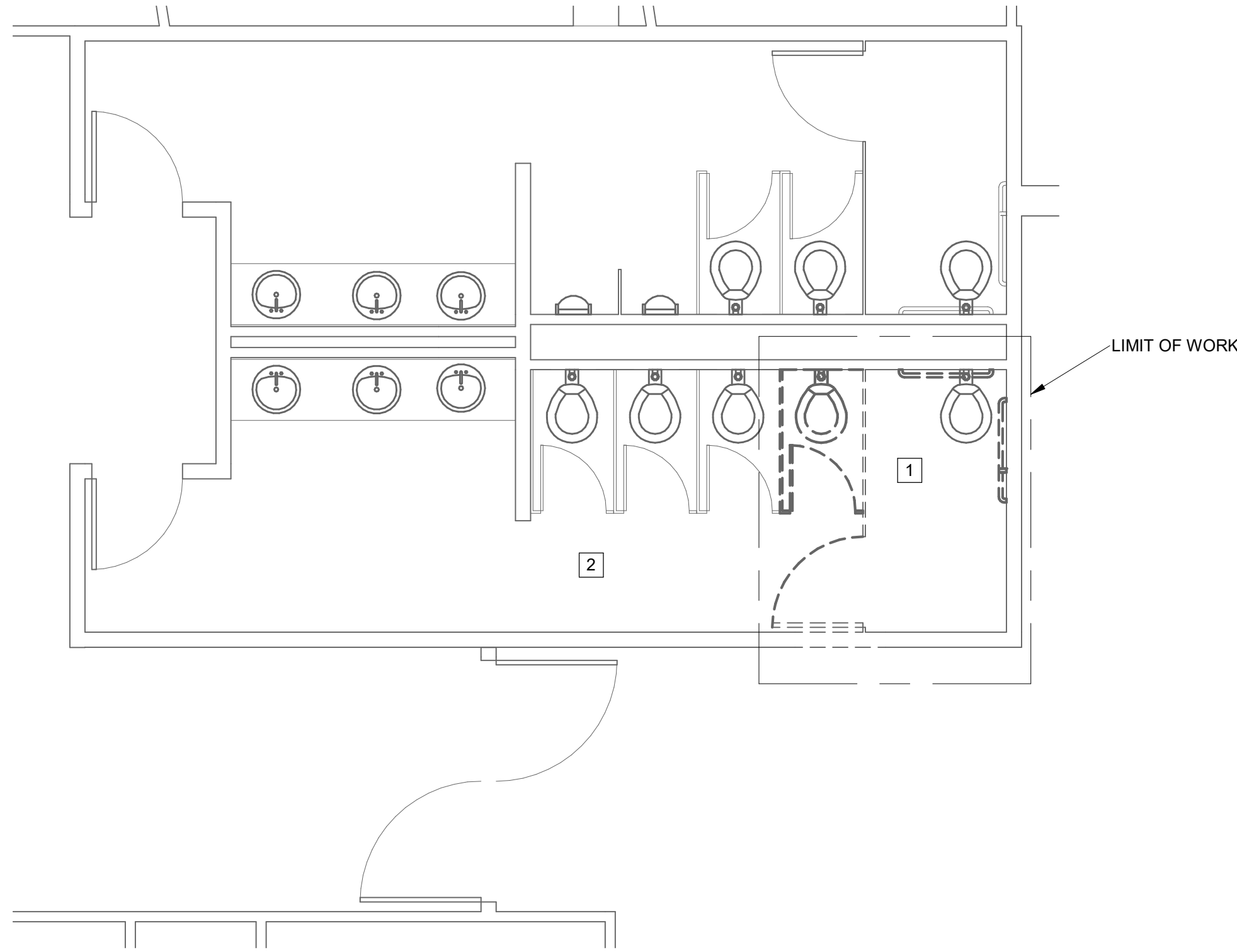
E000

ISSUED FOR BIDDING - 08/21/2023

BMV 360/12/2023 - BMV Restroom Renovation/23032/MEP - R21.rvt

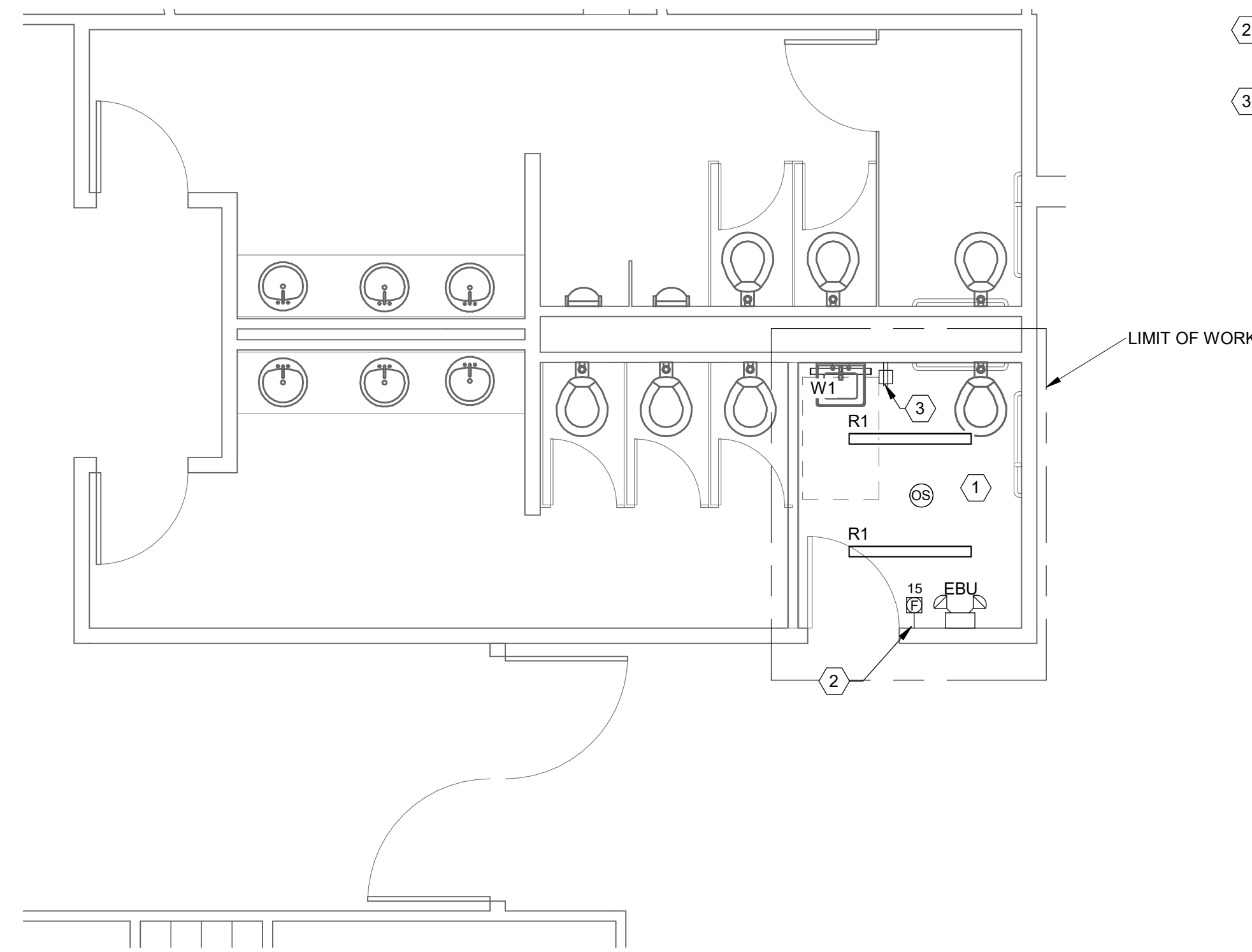
DEMOLITION KEY NOTES:

- 1 REMOVE ALL LIGHT FIXTURES AND CONTROL MEANS IN THE SCOPE OF WORK AREA. REMOVE CONDUIT AND WIRING BACK TO NEXT JUNCTION POINT. EXTEND LINE SIDE WIRING AND CONDUIT TO SERVE NEW LIGHT FIXTURES AND OCCUPANCY SENSOR. SEE A1 ON SHEET E001 FOR FURTHER INFORMATION.
- 2 MAINTAIN EXISTING LIGHT FIXTURES AND CONTROL MEANS ON SAME CIRCUITRY OUTSIDE OF THE SCOPE OF WORK AREA.



KEY NOTES:

- 1 ALL NEW LIGHTING IN THIS AREA SHALL BE CONNECTED TO LINE SIDE OF EXISTING CIRCUITRY THAT SERVED EXISTING TO BE REMOVED LIGHTING IN SCOPE OF WORK AREA AND BE CONTROLLED BY NEW OCCUPANCY SENSOR WITH THE EXCEPTION OF THE NEW EBU UNIT WHICH SHALL BE CONNECTED DIRECTLY TO THE LINE SIDE OF THE EXISTING CIRCUITRY THAT SERVED EXISTING TO BE REMOVED LIGHTING IN THE SCOPE OF WORK AREA. REFER TO LIGHT FIXTURE SCHEDULE FOR MOUNTING AND OTHER INFORMATION.
- 2 INSTALL NEW FIRE ALARM STROBE THAT MATCHES THE CHARACTERISTICS OF EXISTING FIRE ALARM SYSTEM AND TIE INTO EXISTING SIGNALING CIRCUIT FROM FACP.
- 3 EXTEND BRANCH CIRCUIT WIRING FROM LINE SIDE OF EXISTING BATHROOM GFCI RECEPTACLE TO NEW GFCI RECEPTACLE IN SINGLE USER RESTROOM.



D1 ELECTRICAL DEMOLITION PART PLAN - GROUND FLOOR - ALTERNATE #1

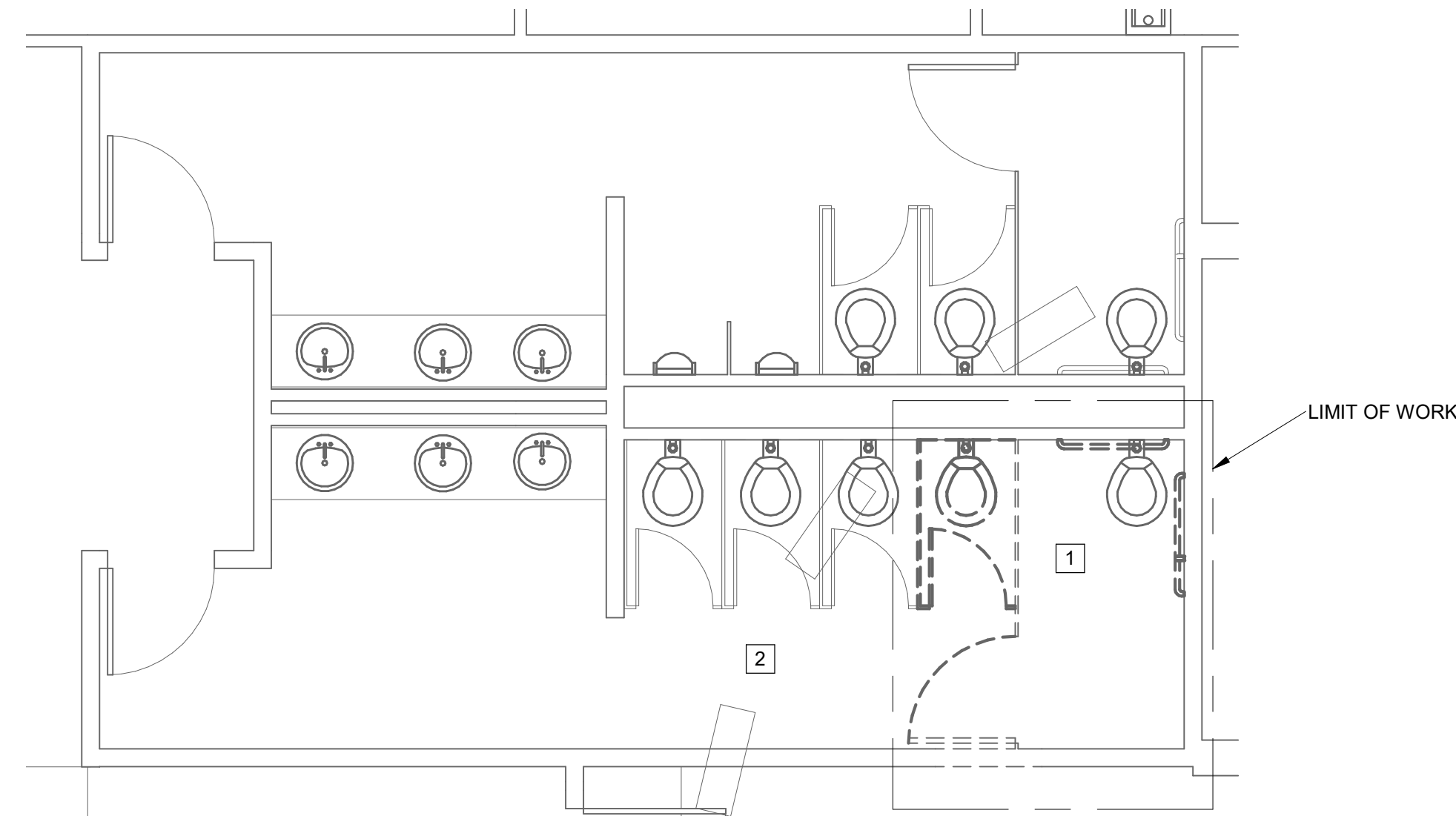
1/4" = 1'-0"

D5 ELECTRICAL PART PLAN - GROUND FLOOR - ALTERNATE #1

1/4" = 1'-0"

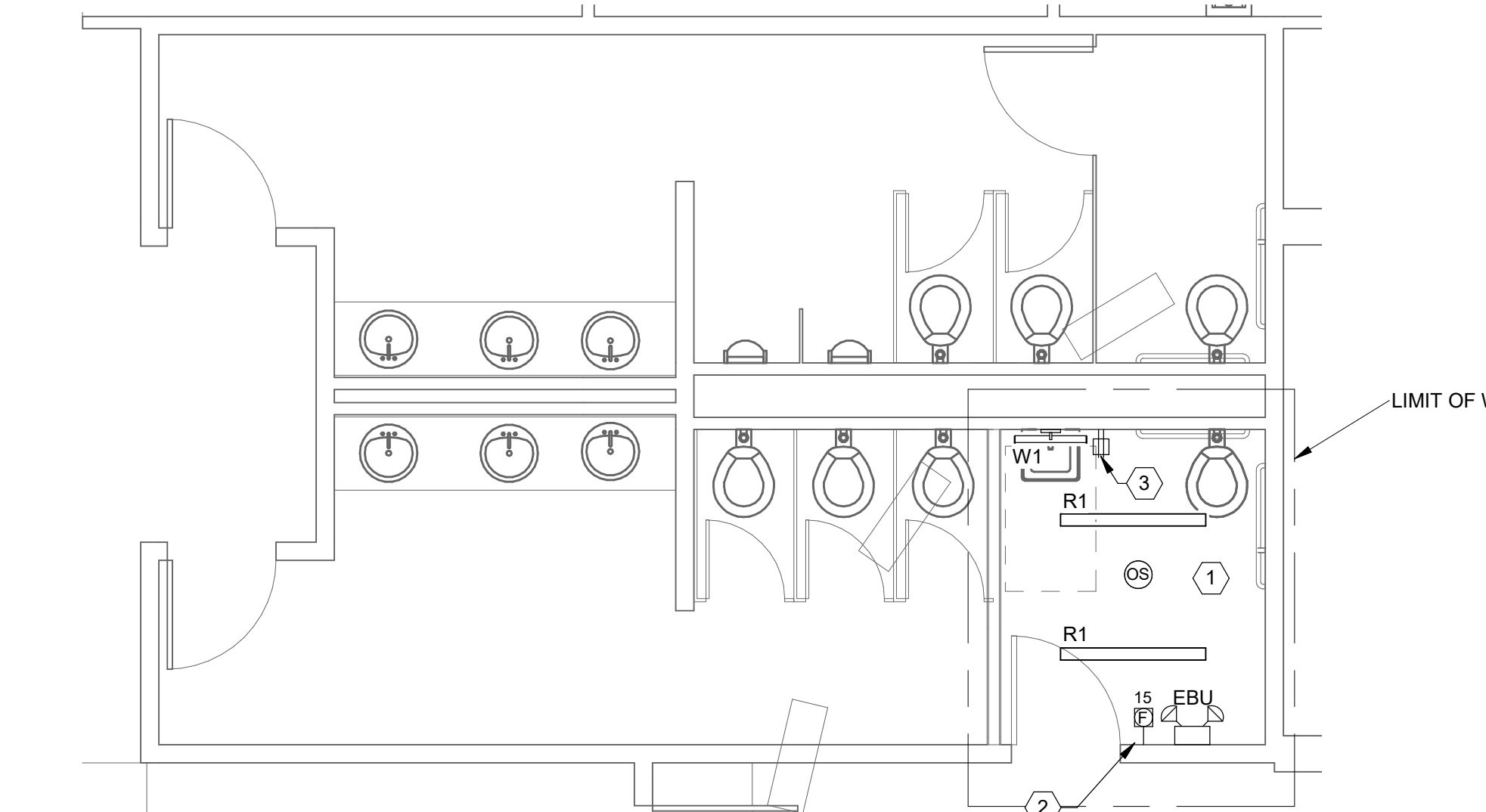
DEMOLITION KEY NOTES:

- 1 REMOVE ALL LIGHT FIXTURES AND CONTROL MEANS IN THE SCOPE OF WORK AREA. REMOVE CONDUIT AND WIRING BACK TO NEXT JUNCTION POINT. EXTEND LINE SIDE WIRING AND CONDUIT TO SERVE NEW LIGHT FIXTURES AND OCCUPANCY SENSOR. SEE A1 ON SHEET E001 FOR FURTHER INFORMATION.
- 2 MAINTAIN EXISTING LIGHT FIXTURES AND CONTROL MEANS ON SAME CIRCUITRY OUTSIDE OF THE SCOPE OF WORK AREA.



KEY NOTES:

- 1 ALL NEW LIGHTING IN THIS AREA SHALL BE CONNECTED TO LINE SIDE OF EXISTING CIRCUITRY THAT SERVED EXISTING REMOVED LIGHTING IN SCOPE OF WORK AREA AND BE CONTROLLED BY NEW OCCUPANCY SENSOR WITH THE EXCEPTION OF THE NEW EBU UNIT WHICH SHALL BE CONNECTED DIRECTLY TO THE LINE SIDE OF THE EXISTING CIRCUITRY THAT SERVED EXISTING REMOVED LIGHTING IN THE SCOPE OF WORK AREA. REFER TO LIGHT FIXTURE SCHEDULE FOR MOUNTING AND OTHER INFORMATION.
- 2 INSTALL NEW FIRE ALARM STROBE THAT MATCHES THE CHARACTERISTICS OF EXISTING FIRE ALARM SYSTEM AND TIE INTO EXISTING INDICATING LOOP SERVING THIS AREA.
- 3 EXTEND BRANCH CIRCUIT WIRING FROM LINE SIDE OF EXISTING BATHROOM GFCI RECEPTACLE TO NEW GFCI RECEPTACLE IN SINGLE USER RESTROOM.



A1 ELECTRICAL DEMOLITION PART PLAN - SECOND FLOOR - BASE BID

1/4" = 1'-0"

A5 ELECTRICAL PART PLAN - SECOND FLOOR - BASE BID

1/4" = 1'-0"

simons architects
designed for human potential

75 York Street
Portland, Maine 04101
simonsarchitects.com
207.772.4656

Allied Engineering
Structural Mechanical Electrical Commissioning

160 Veranda Street
Portland, Maine 04103
T: 207.221.2360
F: 207.221.2366
Web: www.allied-eng.com

© COPYRIGHT 2003 ALLIED ENGINEERING, INC.

Allied Project No: 23032

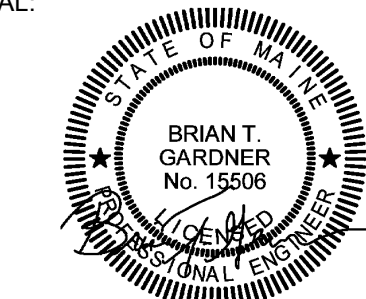
Cad File:

PROJECT NAME:

BMV - SINGLE USER RESTROOMS

101 HOSPITAL ST.
AUGUSTA, ME 04330

SEAL:



THIS DRAWING IS THE PROPERTY OF SIMONS ARCHITECTS (SA) AND IS NOT TO BE COPIED OR REPRODUCED IN PART OR WHOLE. 2023 © SCOTT SIMONS ARCHITECTS, LLC

REVISIONS

DATE OF ISSUE: 08/21/2023

PROJECT NUMBER: 2023-0010

STATUS: ISSUED FOR BIDDING

ELECTRICAL PART PLANS

E100

ISSUED FOR BIDDING - 08/21/2023

BMV_300/22032 - BMV Restroom Renovation/23032MEP_R21.rvt