

YARMOUTH SCHOOL DEPARTMENT PUMP STATION FOR TEMPORARY TOILET TRAILER

YARMOUTH, MAINE

CONSTRUCTION DOCUMENTS
FEBRUARY 21, 2024

LIST OF DRAWINGS

G00-1 COVER SHEET

CIVIL DRAWINGS

C00-1 SITE NOTES
C00-2 SITE EROSION CONTROL NOTES
C10-1 EXISTING SITE CONDITIONS AND DEMOLITION PLAN
C20-1 SITE LAYOUT PLAN
C50-1 SITE DETAILS

ELECTRICAL DRAWINGS

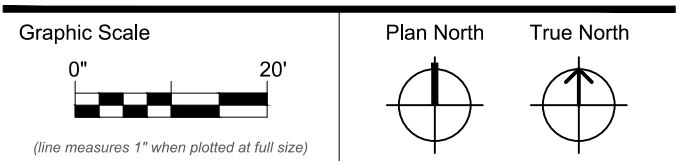
E00-1 ELECTRICAL SYMBOLS AND ABBREVIATIONS
E80-1 ELECTRICAL SITE PLAN

Harriman

YARMOUTH SCHOOL
DEPARTMENT
PUMP STATION
FOR TEMPORARY
TOILET TRAILER

YARMOUTH, MAINE

Harriman Project No. 23189



CONSTRUCTION DOCUMENTS

FEBRUARY 21, 2024

Revision Date	Revision Description

Drawn by: CEM

COVER SHEET

G00-1

Harriman

YARMOUTH SCHOOL DEPARTMENT PUMP STATION FOR TEMPORARY TOILET TRAILER

YARMOUTH, MAINE

Harriman Project No. 23189

1. THE ACCURACY AND COMPLETENESS OF SUBSURFACE INFORMATION IS NOT GUARANTEED. VERIFY SITE CONDITIONS INCLUDING TEST PITS FOR LOCATIONS AND INVERTS OF UTILITIES AND REPORT ANY DISCREPANCIES TO ARCHITECT PRIOR TO PROCEEDING WITH THAT PORTION OF THE WORK.
2. PLACE 4" WIDE BY 2" THICK TRENCH POLYSTYRENE INSULATION OVER SEWER LINES WHERE DEPTH OF COVER OVER TOP OF PIPE IS LESS THAN 4.5'. PLACE INSULATION ALSO BETWEEN SEWER LINE AND STORM DRAIN OR BETWEEN WATER LINE AND STORM DRAIN WHERE SEPARATION IS LESS THAN 4.5'.
3. CLEAN SEDIMENT FROM NEW STORM DRAINS AND CATCH BASINS, AND ALSO FROM EXISTING STORM DRAINS AND CATCH BASINS THAT DIRECTLY RECEIVE RUNOFF FROM THE WORK AREA.
4. COORDINATE WORK ON UTILITY LINES OR WITHIN ROAD RIGHT-OF-WAY WITH THE UTILITY COMPANIES AND CITY/TOWN ROAD DEPARTMENT AND STATE MDOT.
5. SLOPE CONDUITS AWAY FROM BUILDING TO HANDHOLE OR UTILITY POLE TO AVOID GROUND WATER SEEPAGE INTO BUILDING.
6. PRIOR TO REMOVAL OF UTILITIES, VERIFY UTILITY FUNCTION, MATERIAL, USE, AND CURRENT ACTIVITY. REPORT DISCREPANCIES TO THE ARCHITECT FOR DIRECTION PRIOR TO COMMENCING THE WORK ON THAT UTILITY.

C1 UTILITY NOTES

SCALE: N.T.S

EXISTING		PROPOSED
	BUILDING	
	BIT. CONC. PAVEMENT	
	CURB	
	CHAIN-LINK FENCE	
	GUARDRAIL	
	SIGN	
	BOLLARDS	
	WETLAND LIMIT	
	STREAM	
	TREES	
	TREE LINE	
	CONTOUR	
	SPOT ELEVATION	
	GRADE TO DRAIN	
	SOIL BORING, TEST PIT	
	SILT FENCE	
	BARK/STONE CHECK DAM	
	RIP-RAP (SIZE NOTED)	
	CATCH BASIN/RAIN INLET	
	STEAM MANHOLE	
	STORM DRAIN MANHOLE	
	SEWER MANHOLE	
	TELEPHONE MANHOLE	
	ELECTRIC MANHOLE/PULLBOX	
	WATER VALVE	
	HYDRANT	
	UTILITY POLE	
	GUY	
	LIGHT POLE	
	LIGHT BOLLARD	
	SPOT LIGHT	
	FLAG POLE	
	TRANSFORMER PAD	
	POLE TRANSFORMER	
	GEOHERMAL WELL	
	STORM DRAIN	
	UNDERDRAIN	
	SANITARY SEWER	
	WATER LINE	
	IRRIGATION LINE	
	GAS, PROPANE	
	STEAM LINE	
	GEOHERMAL WATER	
	UNDERGROUND COMMUNICATION LINE	
	UNDERGROUND ELECTRICAL	
	UNDERGROUND LIGHTING	
	AERIAL ELECTRICAL, TELEPHONE, AND CABLE	
	PROPERTY LINE	
	NOT IN CONTRACT	

A1 STANDARD SITE LEGEND

SCALE: N.T.S

1. RELOCATE EXISTING TBM INFORMATION ONTO NEW TBM OF CONTRACTORS CHOICE FOR CONSTRUCTION USE PRIOR TO REMOVAL OF EXISTING TBM.
2. IF EXISTING ASBESTOS CEMENT PIPE IS ENCOUNTERED, HANDLE AND DISPOSE OF ASBESTOS MATERIALS WITH CARE AND IN ACCORDANCE WITH APPLICABLE CODES AND SAFETY STANDARDS.
3. EXCAVATE AND STOCKPILE ON-SITE TOPSOIL. TOPSOIL IS TO REMAIN THE PROPERTY OF THE OWNER DURING CONSTRUCTION. AFTER FINAL LOAM AND SEED EXCESS TOPSOIL SHALL BE REMOVED FROM SITE BY CONTRACTOR
4. DIMENSIONS ARE TO FACE OF CURB AND TO FACE OF FOUNDATION UNLESS OTHERWISE INDICATED.
5. PAVEMENT EDGES SHALL BE TRUE TO LINE. SAWCUT EXISTING PAVEMENT IN SMOOTH STRAIGHT LINE WHERE NEW PAVEMENT JOINS. PROVIDE TACK COAT LAYER AS SPECIFIED.
6. CONTRACTOR SHALL VERIFY SITE CONDITIONS, INCLUDING TEST PITS FOR LOCATIONS AND INVERTS OF UTILITIES, AND REPORT ANY DISCREPANCIES TO ARCHITECT PRIOR TO PROCEEDING WITH THAT PORTION OF THE WORK.
7. PROVIDE TRAFFIC CONTROL SIGNAGE AND STRIPING AS SHOWN AND IN ACCORDANCE WITH U.S.D.O.T. MANUAL ON UNIFORM TRAFFIC CONTROL DEVICES.
8. SUBSURFACE INFORMATION PROVIDED BY S.W. COLE ENGINEERING, INC.

B2 GENERAL SITE NOTES

SCALE: N.T.S

CURB ABBREVIATIONS

RVGC	RE-SET VERTICAL GRANITE CURB
VGC	NEW VERTICAL GRANITE CURB
SGC	NEW SLOPED GRANITE CURB
FGC	NEW GRANITE CURB FLUSH WITH PAVEMENT
TCE	NEW TAPERED CURB ENDS (TIP DOWNS)
TRC	NEW TRANSITIONAL CURB
BC	NEW BITUMINOUS CURB
CCCB	NEW CAPE COD BITUMINOUS CURB
PCC	NEW PRE-CAST CONCRETE CURB
CCC	NEW CAST-IN-PLACE CONCRETE CURB

PAINT STRIPING ABBREVIATIONS

SWSL	SINGLE WHITE SOLID LINE
SWDL	SINGLE WHITE DASHED LINE
SYSL	SINGLE YELLOW SOLID LINE
SYDL	SINGLE YELLOW DASHED LINE
DYSL	DOUBLED YELLOW SOLID LINE

A2 STANDARD SITE ABBREVIATIONS

SCALE: N.T.S

GENERAL ABBREVIATIONS

BIT.	BITUMINOUS	NS	NEW SEWER
C.O.	CLEAN-OUT	NSD	NEW STORM DRAIN
CONC.	CONCRETE	NSFM	NEW SEWER FORCE MAIN
DI.	DRAIN INLET	NSL	NEW SPOT LIGHT
ELEV.	ELEVATION	NUD	NEW UNDERDRAIN
EXG.	EXISTING	NUJ	NEW UNDERGROUND ELECTRICAL
F.F.E.	FINISHED FLOOR ELEVATION	NUG	NEW UNDERGROUND GAS
FT	FEET	NUF	NEW UNDERGROUND FUEL
GW	GEOHERMAL WELL	NUSC	NEW UNDERGROUND SPARE
IN.	INCHES	CONDUIT	
INV.	INVERT	NW	NEW WATER
MAX.	MAXIMUM	NWF	NEW WALL FIXTURE
MIN.	MINIMUM	P.C.	PRECAST
N.I.C.	NOT IN CONTRACT	R	RAMP
NCB	NEW CATCH BASIN	S	STRUCTURAL PAD
NFO	NEW FIBER OPTIC	SQ	SQUARE
NGW	NEW GEOTHERMAL WATER	T	TRANSITIONAL PAD
NLP	NEW LIGHT POLE	TBM	TEMPORARY BENCH MARK
		TYP	TYPICAL
		W/	WITH
		UNO	UNLESS NOTED OTHERWISE

B3 GRADING NOTES

SCALE: N.T.S

1. PROVIDE 4" LOAM, SEED AND MULCH TO DISTURBED AREAS UNLESS OTHERWISE NOTED. PROVIDE EROSION CONTROL MESH ON ALL SLOPES 6:1 OR STEEPER, AND ALONG DITCH CHANNELS.
2. GRADE SURFACES TO DRAIN AWAY FROM BUILDING. PUDDLING OF WATER IN PAVED OR UNPAVED AREAS WILL NOT BE ACCEPTABLE EXCEPT FOR AREAS DESIGNATED AS PONDS.
3. MAINTAIN TEMPORARY EROSION CONTROL MEASURES FOR THE FULL DURATION OF CONSTRUCTION. INSPECT WEEKLY AND AFTER EACH STORM AND REPAIR AS NEEDED. REMOVE SEDIMENTS FROM THE SITE, PLACE IN AREA OF LOW EROSION POTENTIAL, AND STABILIZE WITH SEED AND MULCH.
4. PLACE TEMPORARY SOIL STABILIZATION WITHIN 30 DAYS OF INITIAL DISTURBANCE. PLACE PERMANENT SOIL STABILIZATION WITHIN 7 DAYS OF FINAL GRADING.

B3 GRADING NOTES

SCALE: N.T.S

- PRIOR TO EXCAVATION, VERIFY THE UNDERGROUND UTILITIES, PIPES, STRUCTURES, AND FACILITIES. PROVIDE THE FOLLOWING MINIMUM MEASURES:
- A. PRE-MARK THE BOUNDARIES OF YOUR PLANNED EXCAVATION WITH WHITE PAINT, FLAGS OR STAKES, SO UTILITY CREWS KNOW WHERE TO MARK THEIR LINES.
 - B. CALL DIG SAFE, AT EITHER 811 OR 1-888-DIGSAFE, AT LEAST 72 BUSINESS HOURS - BUT NO MORE THAN 30 CALENDAR DAYS - BEFORE STARTING WORK. DON'T ASSUME SOMEONE ELSE WILL MAKE THE CALL.
 - C. IF BLASTING, NOTIFY DIG SAFE AT LEAST 24 BUSINESS HOURS IN ADVANCE.
 - D. WAIT 72 HOURS FOR LINES TO BE LOCATED AND MARKED WITH COLOR-CODED PAINT, FLAGS OR STAKES. NOTE THE COLOR OF THE MARKS AND THE TYPE OF UTILITIES THEY INDICATE. TRANSFER THESE MARKS TO THE AS-BUILT DRAWINGS.
 - E. CONTACT THE LANDOWNER AND OTHER "NON-MEMBER" UTILITIES (WATER, SEWER, GAS, ETC.), FOR THEM TO MARK THE LOCATIONS OF THEIR UNDERGROUND FACILITIES. TRANSFER THESE MARKS TO THE AS-BUILT DRAWINGS.
 - F. RE-NOTIFY DIG SAFE AND THE NON-MEMBER UTILITIES IF THE DIGGING, DRILLING OR BLASTING DOES NOT OCCUR WITHIN 30 CALENDAR DAYS, OR IF THE MARKS ARE LOST DUE TO WEATHER CONDITIONS, SITE WORK ACTIVITY OR ANY OTHER REASON.
 - G. HAND DIG WITHIN 18 INCHES IN ANY DIRECTION OF ANY UNDERGROUND LINE UNTIL THE LINE IS EXPOSED. MECHANICAL METHODS MAY BE USED FOR INITIAL SITE PENETRATION, SUCH AS REMOVAL OF PAVEMENT OR ROCK.
 - H. DIG SAFE REQUIREMENTS ARE IN ADDITION TO TOWN, CITY AND/OR STATE DOT STREET OPENING PERMIT REQUIREMENTS.
 - I. FOR COMPLETE DIG SAFE REQUIREMENTS, VISIT THEIR WEBSITE.
 - J. IF YOU DAMAGE, DISLOCATE OR DISTURB ANY UNDERGROUND UTILITY LINE, IMMEDIATELY NOTIFY THE AFFECTED UTILITY. IF DAMAGE CREATES SAFETY CONCERNS, CALL THE FIRE DEPARTMENT AND TAKE IMMEDIATE STEPS TO SAFEGUARD HEALTH AND PROPERTY.
 - K. ANY TIME AN UNDERGROUND LINE IS DAMAGED OR DISTURBED, OR IF LINES ARE IMPROPERLY MARKED, YOU MUST CALL DIGSAFE.

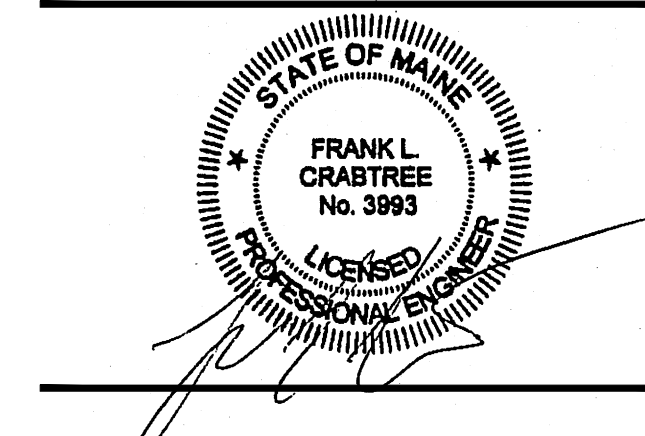
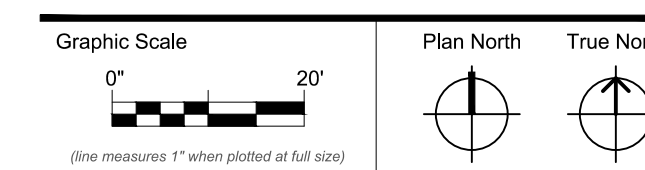
B4 DIG SAFE NOTES

SCALE: N.T.S

BASIC SURVEY FROM TITCOMB ASSOCIATES "PLAN OF YARMOUTH HIGH SCHOOL" DATED MARCH 14, 2019.
SUPPLEMENTED BY HARRIMAN "YARMOUTH HIGH SCHOOL ADDITIONS AND RENOVATIONS" DATED SEPTEMBER 24, 2019.

A4 SURVEYOR NOTES

SCALE: N.T.S



CONSTRUCTION DOCUMENTS

FEBRUARY 21, 2024

Revision Date Revision Description

Drawn by: CEM

SITE NOTES

C00-1



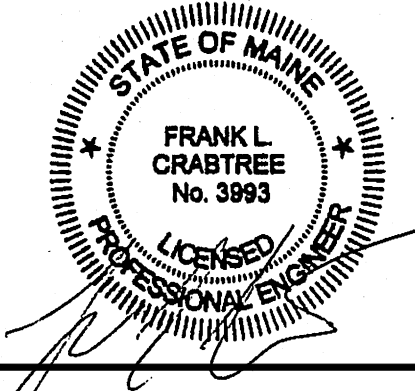
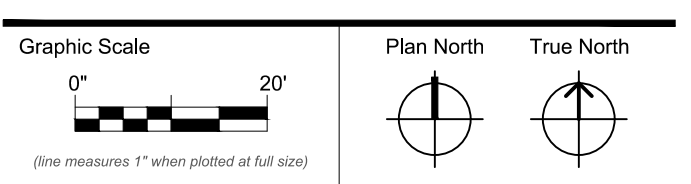
NOTES:
 1. EXISTING WATER LINE AND EXISTING ELECTRIC LINE LOCATION IS BASED ON AN AERIAL SKETCH PROVIDED BY BLOOD HOUND UNDERGROUND UTILITY LOCATORS AND SHALL BE CONSIDERED APPROXIMATE.

Harriman

YARMOUTH SCHOOL DEPARTMENT PUMP STATION FOR TEMPORARY TOILET TRAILER

YARMOUTH, MAINE

Harriman Project No. 23189



CONSTRUCTION DOCUMENTS

FEBRUARY 21, 2024

Revision Date	Revision Description

Drawn by: CEM

EXISTING SITE CONDITIONS AND DEMOLITION PLAN

C10-1

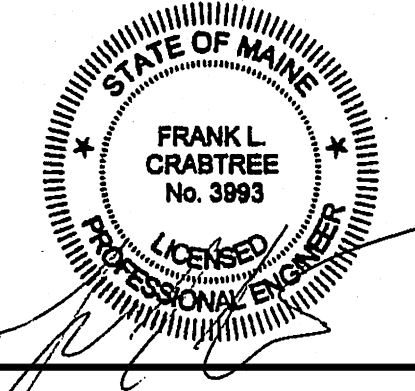
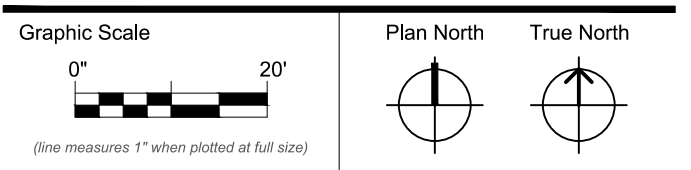
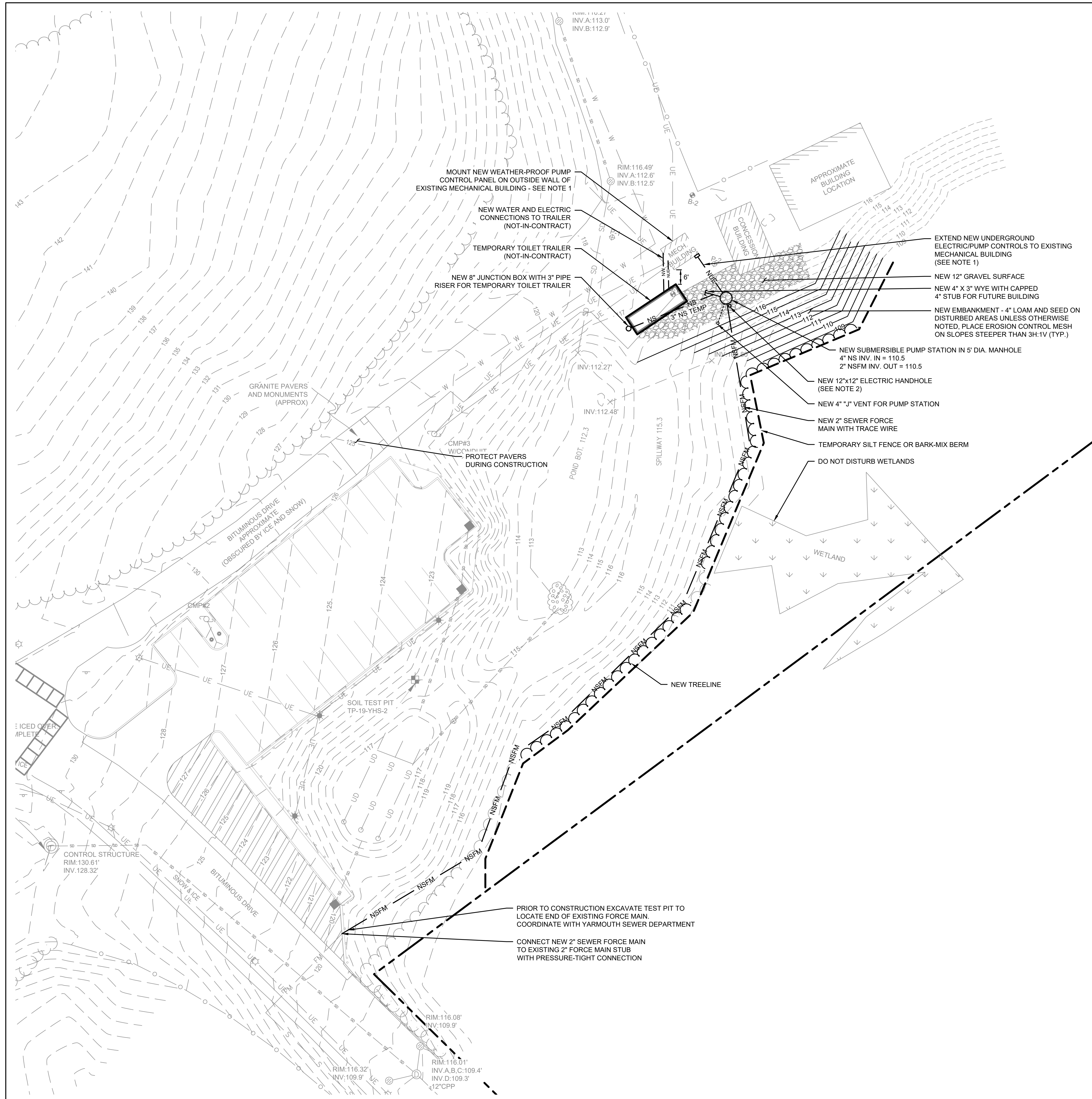
YARMOUTH SCHOOL DEPARTMENT PUMP STATION FOR TOILET TRAILER

YARMOUTH, MAINE

Harriman Project No. 23189

NOTES:

1. PROVIDE (3) #12AWG AND (1) #12AWG GROUND IN 1" RGS, AND (1) 1" RGS CONDUIT FOR INSTRUMENTATION CABLES FROM SUBMERSIBLE PUMP STATION CONTROL PANEL TO SUBMERSIBLE PUMP. PROVIDE UNISTRUT ASSEMBLY ATTACHED TO NEW CONCESSIONS BUILDING FOR PUMP CONTROL PANEL AND (2) JUNCTION BOXES: ONE NEMA 3R JUNCTION BOX FOR TERMINATION OF PUMP POWER CABLES AND PUMP SEAL LEAK/HIGH TEMP SIGNAL WIRING, AND ONE NEMA 3R JUNCTION BOX FOR TERMINATION OF SUBMERSIBLE PUMP INSTRUMENTATION CABLES. CONDUIT TO BE DIRECT BURIED.
2. CONTRACTOR TO DETERMINE TYPE OF ELECTRIC HANDHOLE WITH BOLT-DOWN COVER TO BE INSTALLED. FIBERGLASS OR HDPE PREFERRED.



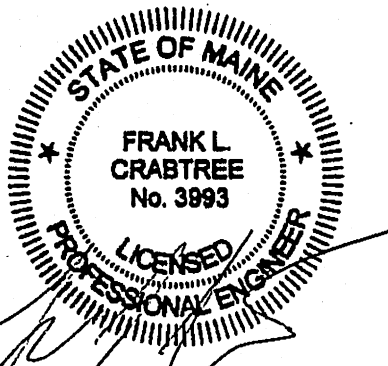
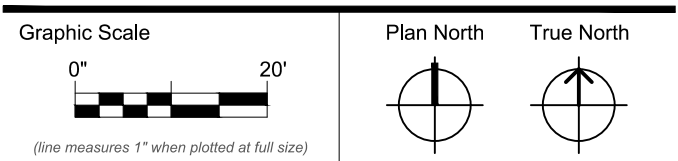
CONSTRUCTION DOCUMENTS

FEBRUARY 21, 2024

Revision Date	Revision Description

Drawn by: CEM

SITE LAYOUT PLAN



CONSTRUCTION DOCUMENTS

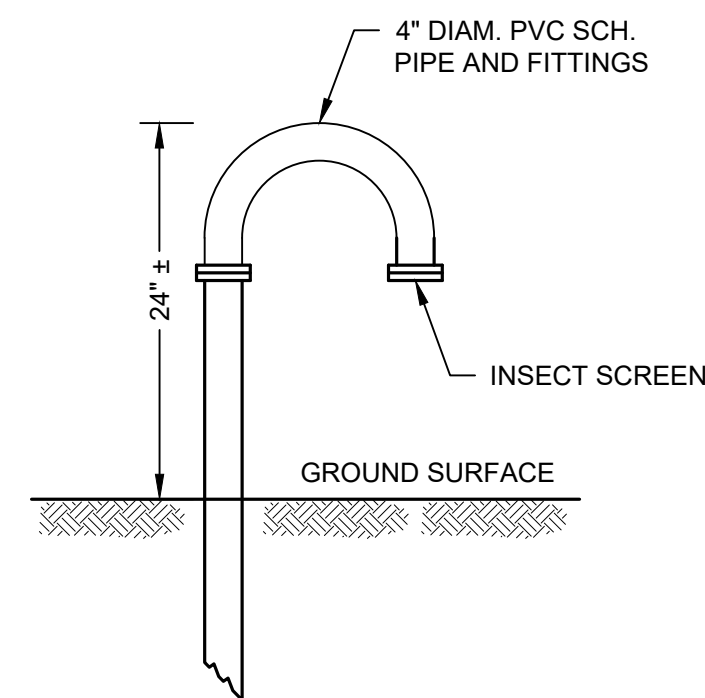
FEBRUARY 21, 2024

Revision Date	Revision Description

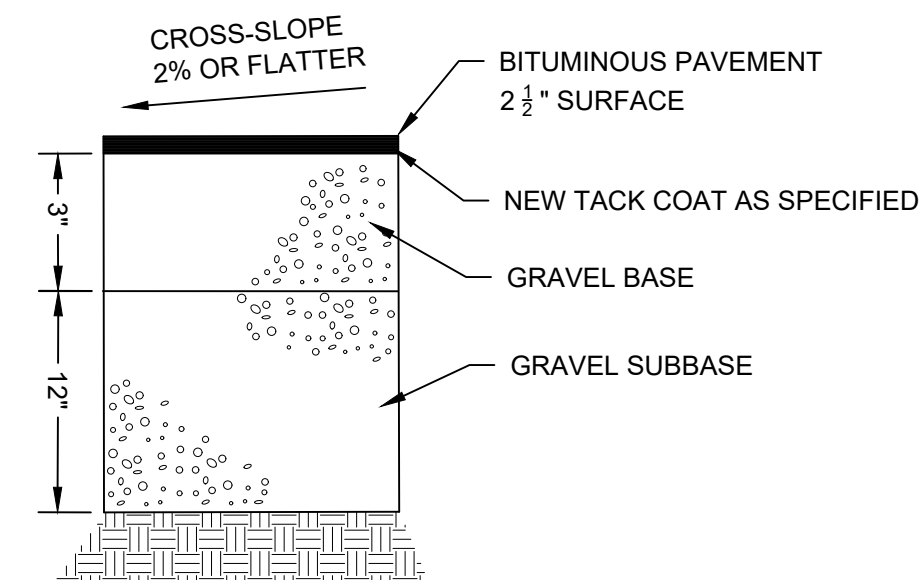
Drawn by: CEM

SITE DETAILS

C50-1

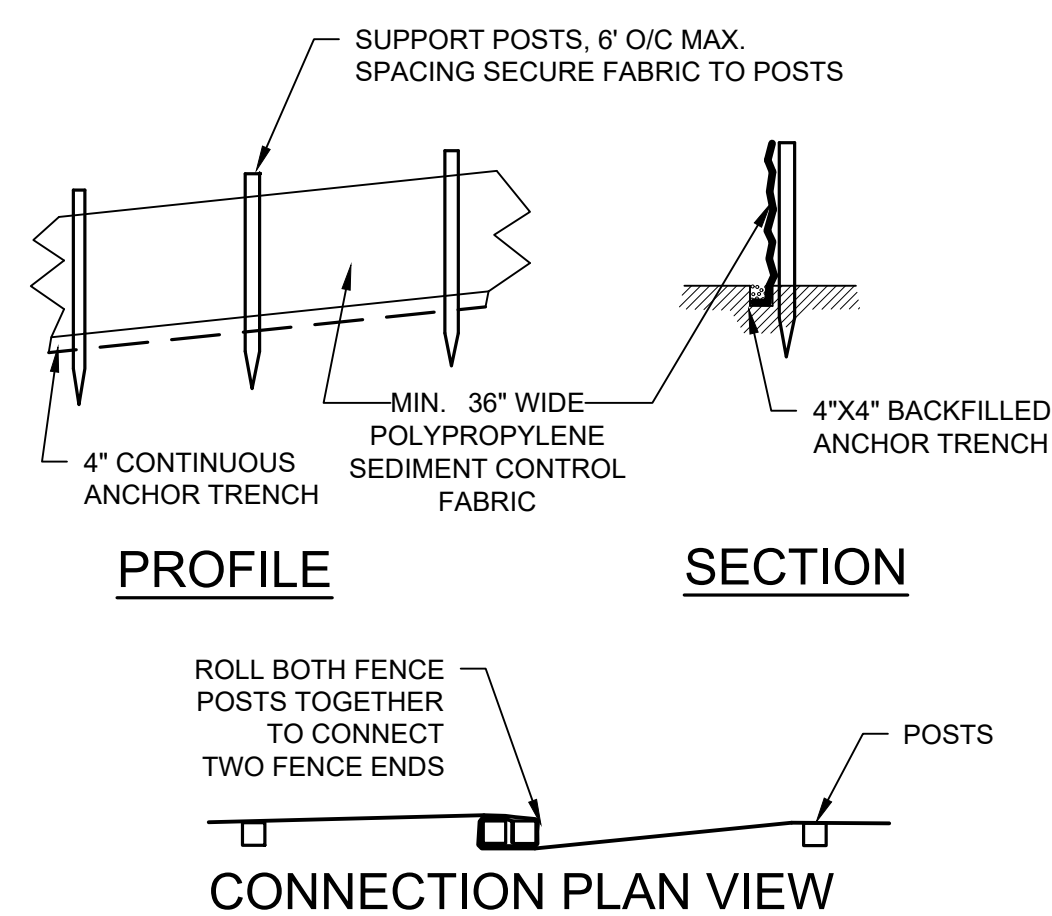


B1 PUMP STATION "J" - VENT
SCALE: N.T.S.

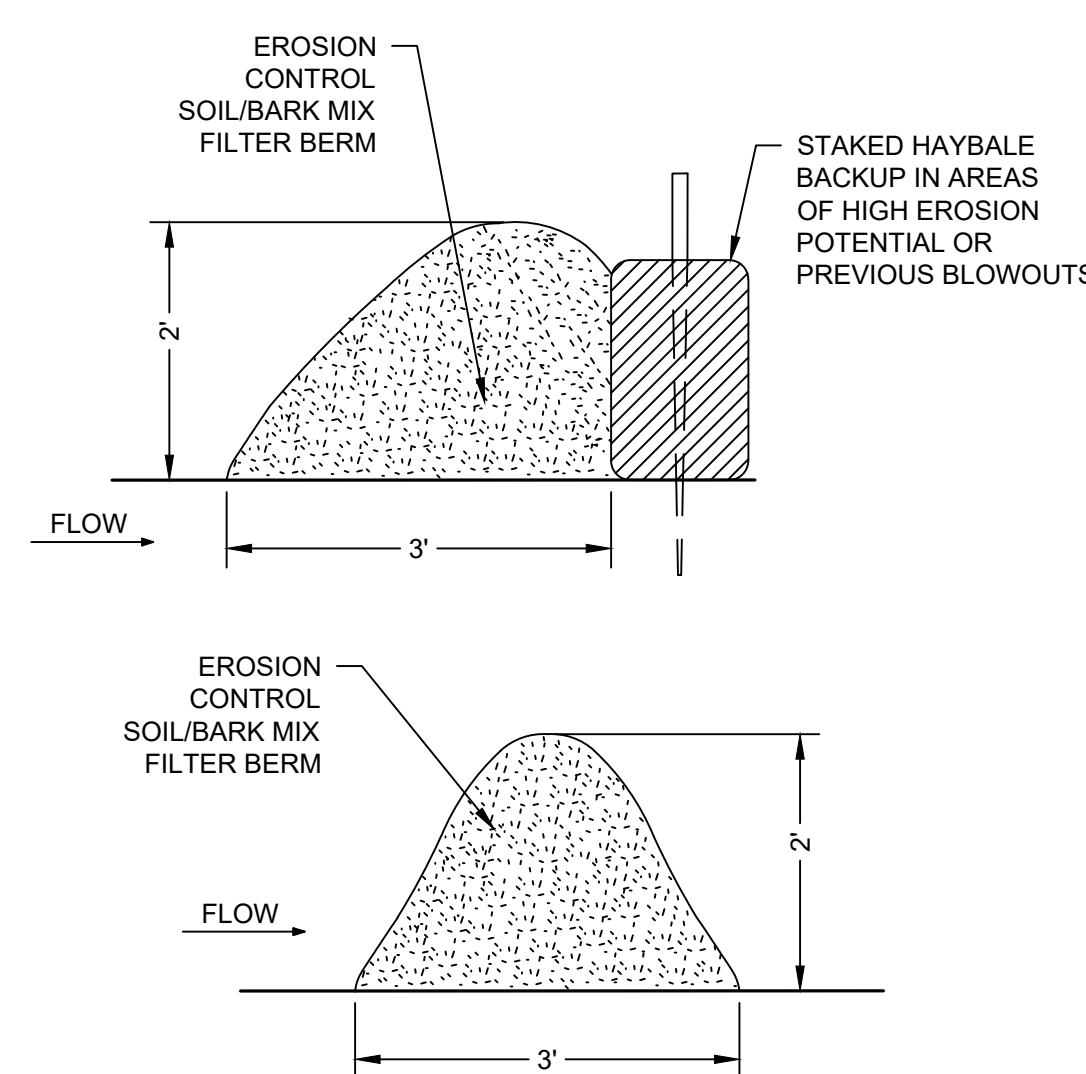


B2 BITUMINOUS PAVEMENT
SCALE: N.T.S.

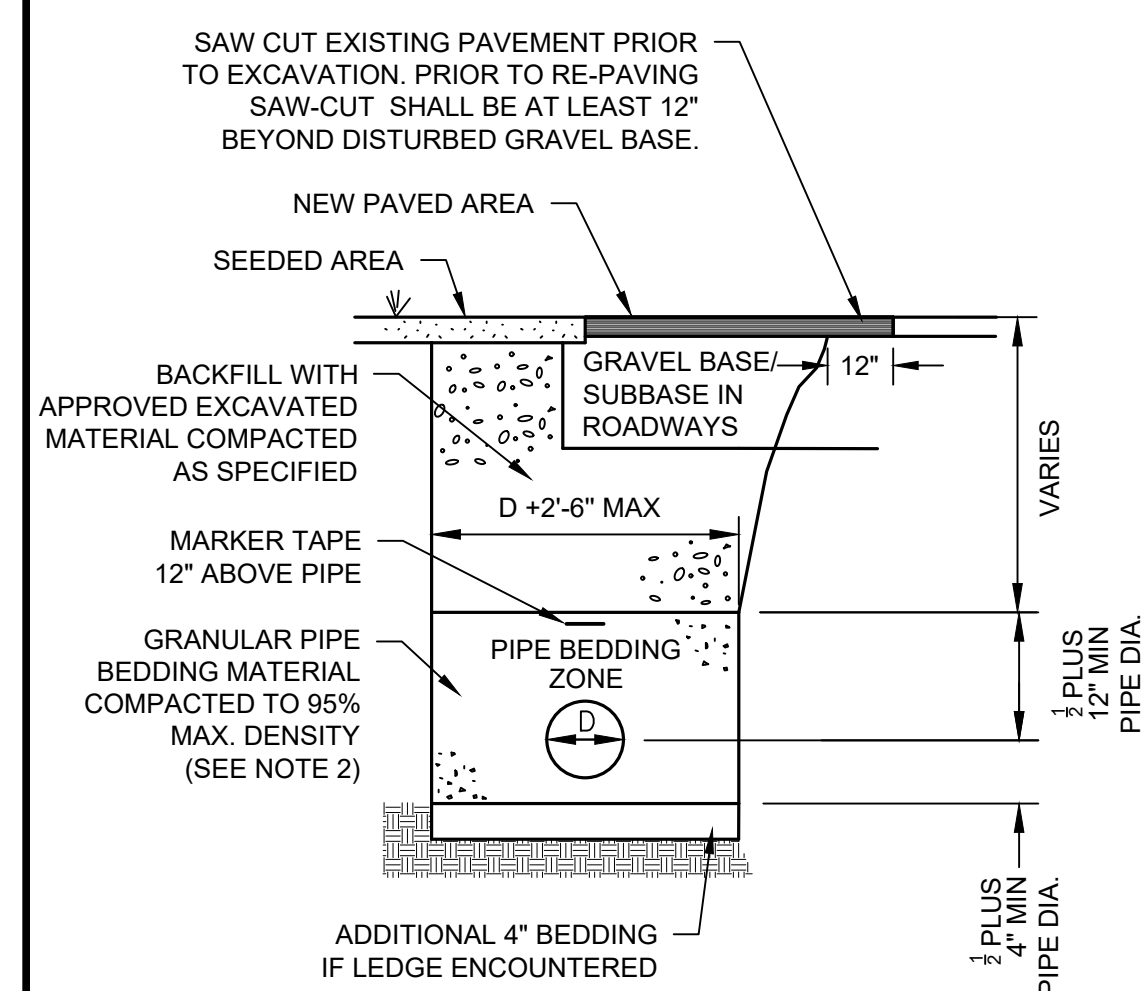
- NOTE:
1. PLACE SILT FENCE OR FILTER BERMS ALONG UNIFORMLY SLOPED SURFACE.
2. EROSION CONTROL MIX FILTER BERM MAY BE SUBSTITUTED FOR A SILT FENCE. SEE THE SITE GRADING AND EROSION CONTROL PLAN.



A1 SILT FENCE
SCALE: N.T.S.

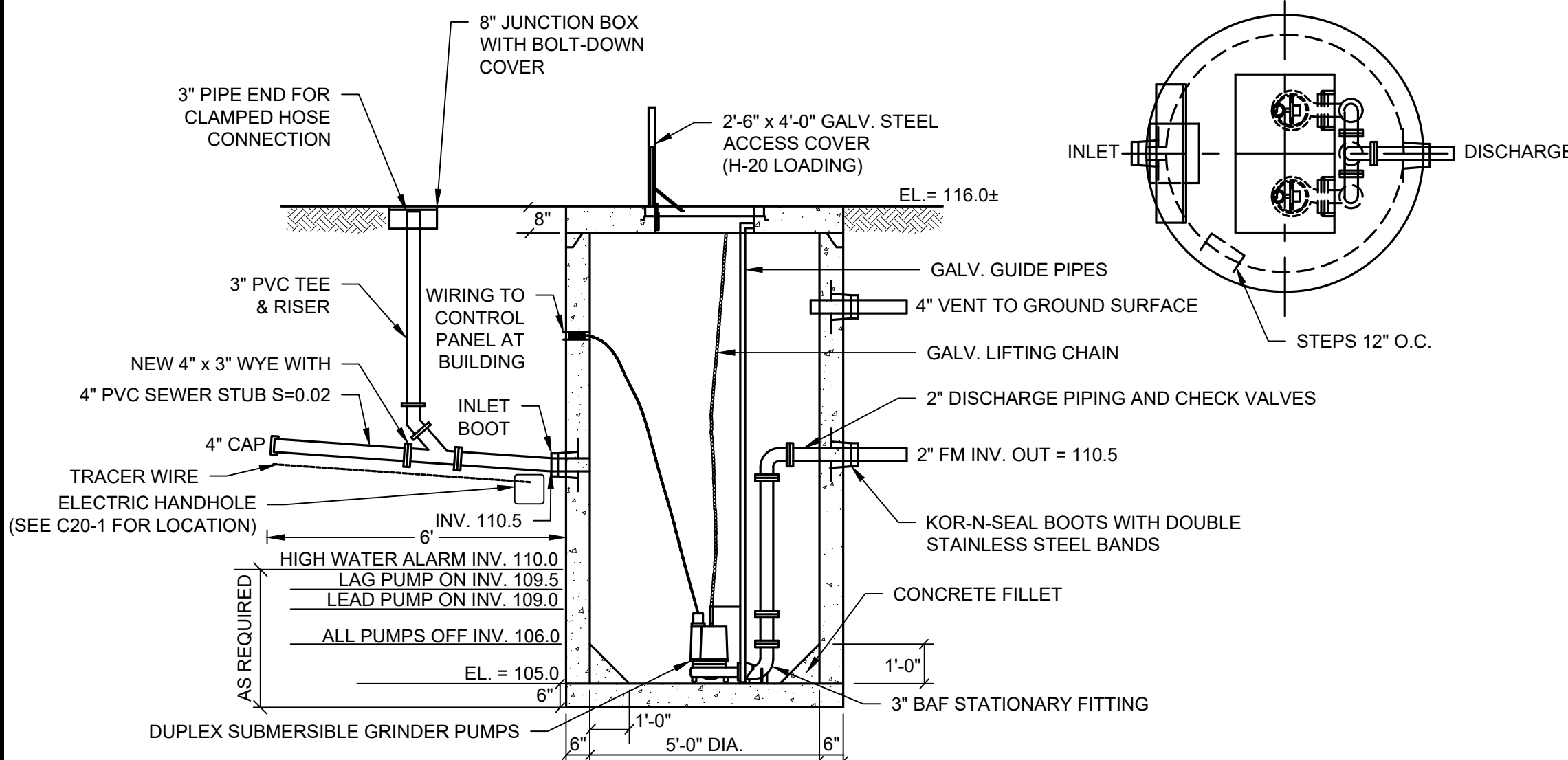


A2 SEDIMENT FILTER BERM
SCALE: N.T.S.



- NOTES:
1. TRACER WIRE TO BE LOCATED IMMEDIATELY ADJACENT TO THE PIPE.
2. FOR PVC PIPE, USE 3/4" CRUSHED STONE BEDDING.

A3 PIPE TRENCH DETAIL
SCALE: N.T.S.



- NOTES:
1. CONCRETE: 5,000 PSI AFTER 28 DAYS.
2. REINFORCING: WALLS & FLOOR 4x4/4x4 W.W.M. SLAB TOP #5 @ 8" O.C.
3. PROVIDE BUOYANCY CALCULATIONS AND COUNTERWEIGHT IF NEEDED.
4. COAT EXTERIOR OF STRUCTURE WITH BITUMASTIC COATING. COAT INTERIOR WITH DURALKOTE 500.

A4 PUMP STATION DETAIL
SCALE: N.T.S.

GENERAL NOTES

- 1 ALL COMMUNICATION AND POWER WIRING SHALL BE INSTALLED BETWEEN 24" (MINIMUM) AND 36" (MAXIMUM) BELOW FINISHED GRADE. PROVIDE MINIMUM 24" SEPARATION BETWEEN POWER AND COMMUNICATION WIRING.
- 2 THE WELL IS A CLASS 1 DIVISION 1 ENVIRONMENT. ALL WORK IN THIS AREA SHALL BE IN ACCORDANCE WITH NEC ARTICLE 500. INSTALL CONDUIT SEALS IN ACCORDANCE WITH NEC REQUIREMENTS ON ALL CONDUIT FEEDS TO SUBMERSIBLE PUMP WELL.
- 3 FIELD VERIFY LOCATIONS OF JUNCTION BOXES AND SEAL MONITOR ENCLOSURES AT WELL WITH ENGINEER PRIOR TO INSTALLATION.
- 4 SEE SPECIFICATION 333300 FOR PUMP STATION CONTROL PANEL DETAILS.
- 5 EXISTING SUBPANEL IS 125A, 240/240V SINGLE PHASE (GENERAL ELECTRICAL A-SERIES PANELBOARD AQF1241MB) LOCATED ADJACENT TO THE MAIN DISTRIBUTION PANEL INSIDE OF EXISTING MECHANICAL BUILDING. PROVIDE NEW CIRCUIT BREAKERS IN EXISTING SUBPANEL TO SUPPORT INSTALLATION OF PUMP CONTROL PANEL AND ANGLIARY EQUIPMENT. CONTRACTOR TO TEST SYSTEM AND CONFIRM FUNCTIONALITY WITH CLIENT/ENGINEER PRIOR TO PROJECT TURNOVER.

KEY NOTES

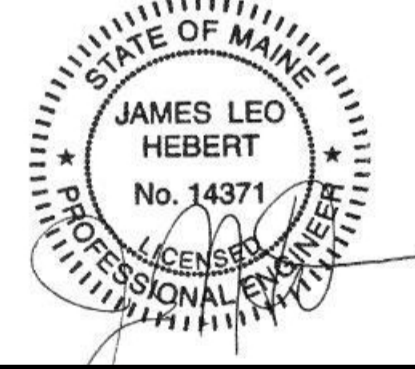
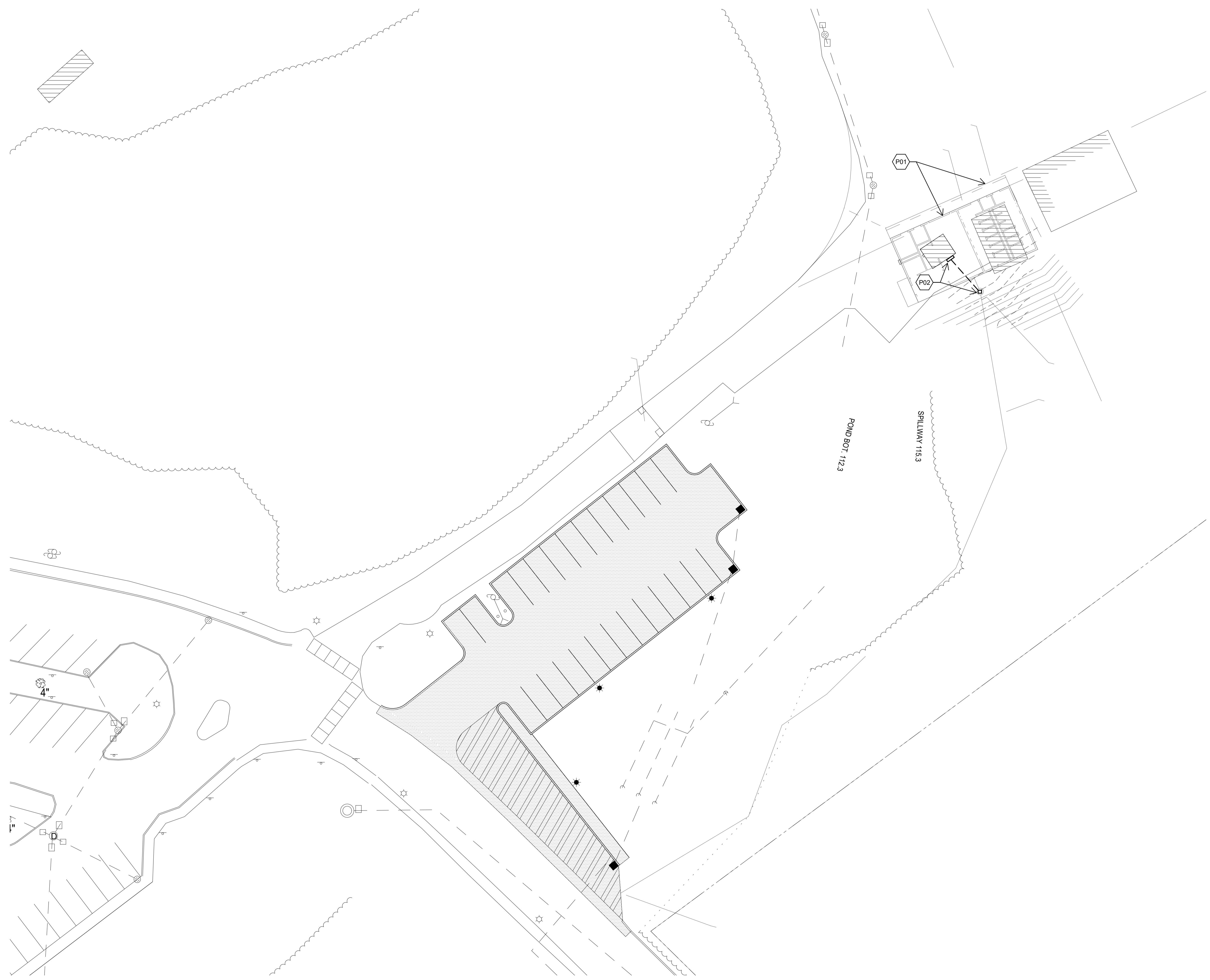
- P01 FOOTPRINT OF PROPOSED FUTURE CONCESSIONS BUILDING (NOT IN SCOPE).
- P02 PROVIDE (3)#12AWG AND (1)#12AWG GROUND IN 1" RGS AND (1) 1" RGS CONDUIT FOR INSTRUMENTATION CABLES FROM SUBMERSIBLE PUMP STATION CONTROL PANEL TO SUBMERSIBLE PUMP. PROVIDE UNISTRUT ASSEMBLY ATTACHED TO EXISTING CONCESSIONS BUILDING FOR PUMP CONTROL PANEL AND (2) JUNCTION BOXES ONE NEMA 3R JUNCTION BOX FOR TERMINATION OF PUMP POWER CABLES AND PUMP SEAL LEAK/HIGH TEMP SIGNAL WIRING, AND ONE NEMA 3R JUNCTION BOX FOR TERMINATION OF SUBMERSIBLE PUMP INSTRUMENTATION CABLES. CONDUIT TO BE DIRECT BURIED.

Harriman

YARMOUTH SCHOOL DEPARTMENT PUMP STATION FOR TEMPORARY TOILET TRAILER

YARMOUTH, MAINE

Harriman Project No. 23189



CONSTRUCTION DOCUMENTS

FEBRUARY 21, 2024

Revision Date	Revision Description

Drawn by: JLH

ELECTRICAL SITE PLAN

E80-1

1 Electrical Site Plan
SCALE: 3/64" = 1'-0"