

# YORK MIDDLE SCHOOL WINDOW REPLACEMENT PHASE 2

**CONSTRUCTION DOCUMENTS**  
FEBRUARY 29, 2024

## LIST OF DRAWINGS

G00-1 COVER SHEET

### ARCHITECTURAL DRAWINGS

A10-1 FIRST FLOOR PLAN  
A10-2 SECOND FLOOR PLAN  
A10-3 THIRD FLOOR PLAN  
A20-1 EXTERIOR ELEVATIONS  
A55-1 WINDOW ELEVATIONS  
A55-2 WINDOW DETAILS

**Harriman**

YORK MIDDLE SCHOOL  
WINDOW REPLACEMENT  
PHASE 2

YORK, MAINE

Harriman Project No. 23590

Graphic Scale



(scale measures 1" when plotted at full size)

## CONSTRUCTION DOCUMENTS

FEBRUARY 29, 2024

Revision Date Revision Description

Revision Date	Revision Description

Drawn by: DRE

COVER SHEET

**G00-1**

## YORK MIDDLE SCHOOL WINDOW REPLACEMENT PHASE 2

YORK, MAINE

Harriman Project No. 23590

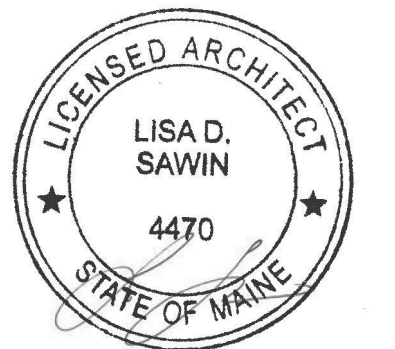
### GENERAL NOTES

1. ONLY TAGGED WINDOWS ARE SELECTED TO BE REPLACED.
2. SEE DETAILS FOR LOCATIONS WHERE DECORATIVE WINDOW TRIMS NEED TO BE SALVAGED.

Graphic Scale



Graphic measures 1" unless noted on full size.



### CONSTRUCTION DOCUMENTS

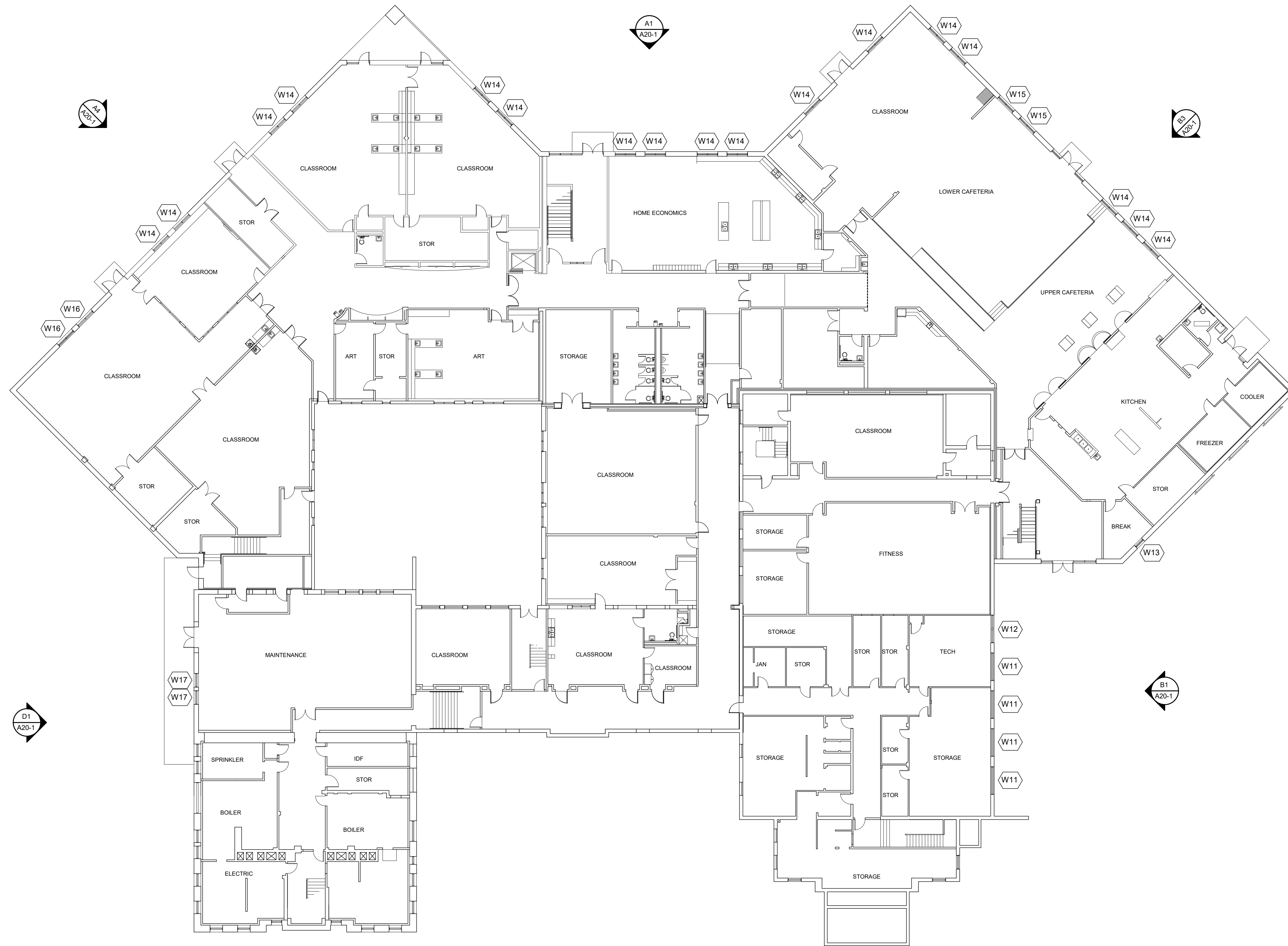
FEBRUARY 29, 2024

Revision Date	Revision Description

Drawn by: DRE

FIRST FLOOR PLAN

# A10-1



A1  
A20-1

A2  
A20-1

B1  
A20-1

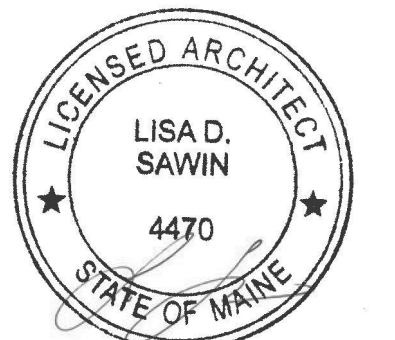
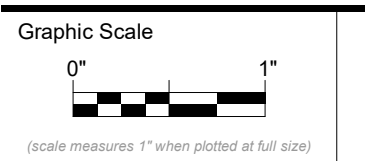
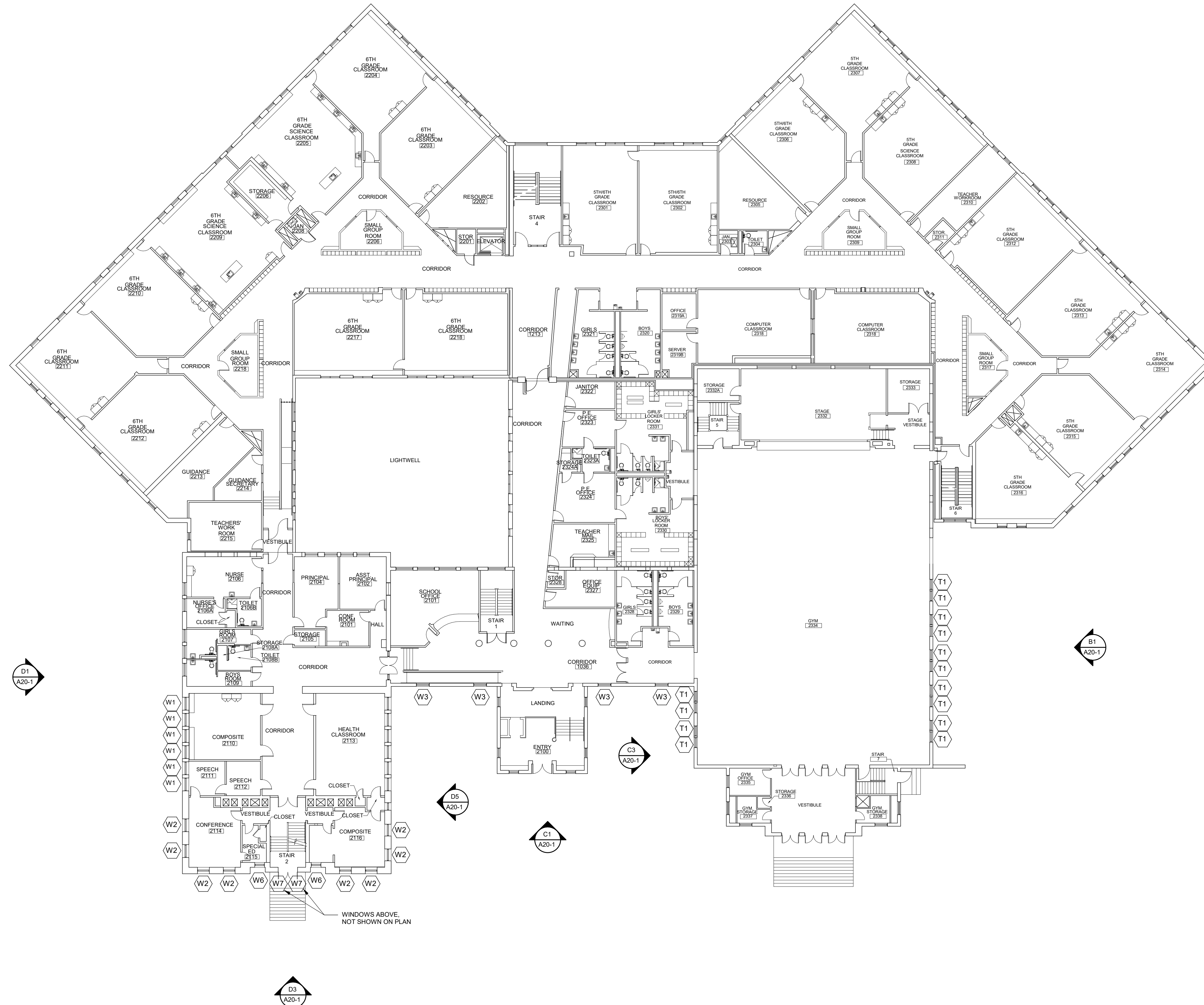
D1  
A20-1

B1  
A20-1

## YORK MIDDLE SCHOOL WINDOW REPLACEMENT PHASE 2

YORK, MAINE

Harriman Project No. 23590



### CONSTRUCTION DOCUMENTS

FEBRUARY 29, 2024

Revision Date	Revision Description

Drawn by: DRE

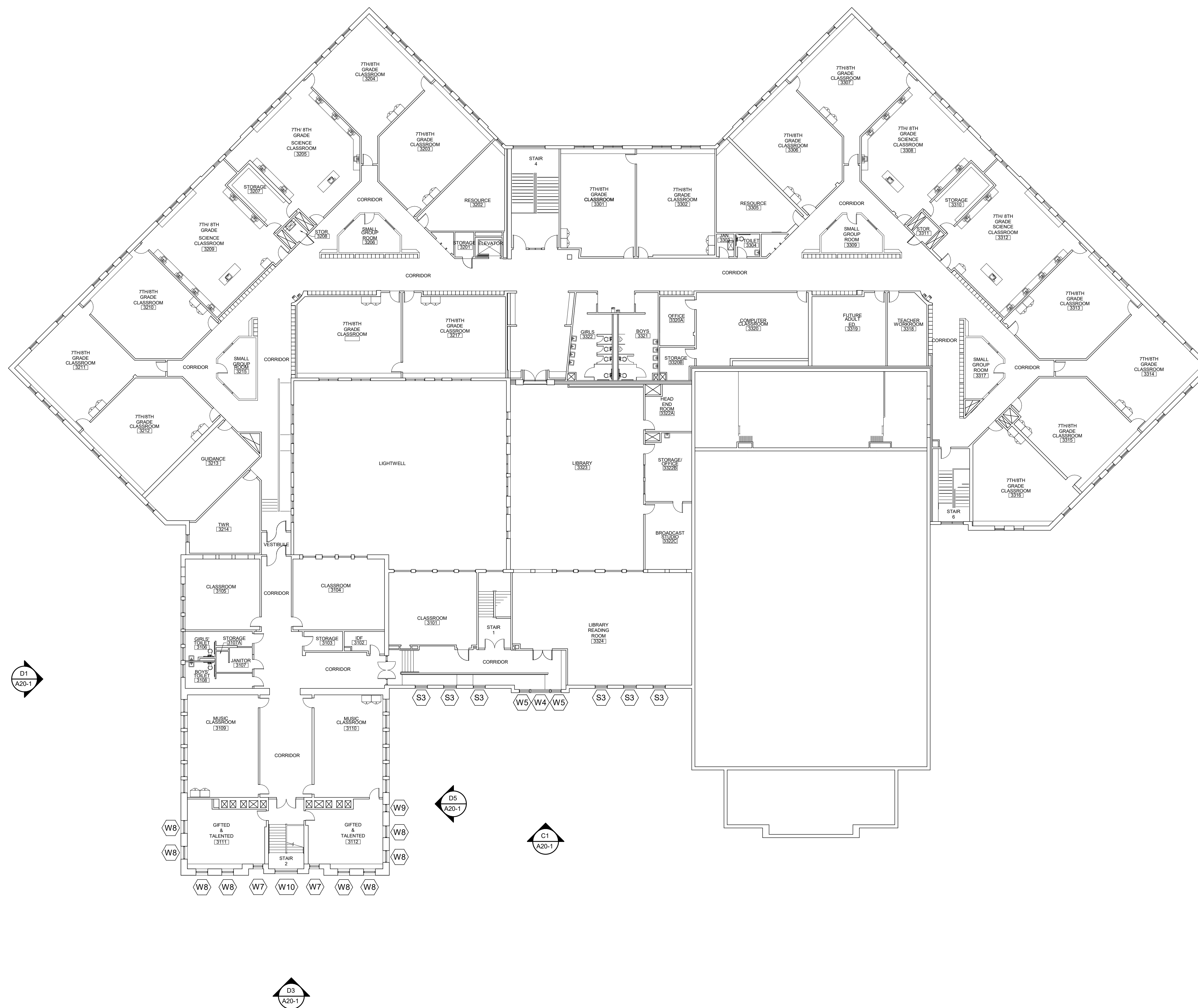
### SECOND FLOOR PLAN

# A10-2

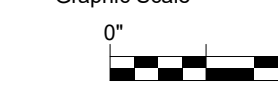
## YORK MIDDLE SCHOOL WINDOW REPLACEMENT PHASE 2

YORK, MAINE

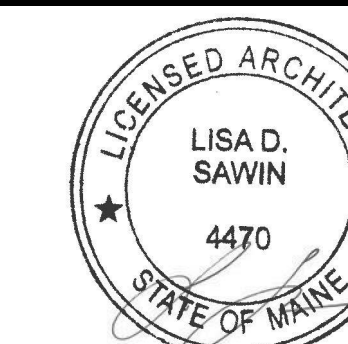
Harriman Project No. 23590



Graphic Scale



Graphic measures 1" unless noted on full size.



### CONSTRUCTION DOCUMENTS

FEBRUARY 29, 2024

Revision Date Revision Description

Revision Date	Revision Description

Drawn by: DRE

THIRD FLOOR PLAN

A10-3

# Harriman

## YORK MIDDLE SCHOOL WINDOW REPLACEMENT PHASE 2

YORK, MAINE

Harriman Project No. 23590



**D1** LEFT SIDE ELEVATION  
SCALE: 1/16" = 1'-0"



**D3** FRONT ELEVATION  
SCALE: 1/16" = 1'-0"



**D5** FRONT SIDE ELEVATION  
SCALE: 1/16" = 1'-0"



**C1** FRONT ELEVATION  
SCALE: 1/16" = 1'-0"



**C3** FRONT SIDE ELEVATION  
SCALE: 1/16" = 1'-0"



**B1** RIGHT SIDE ELEVATION  
SCALE: 1/16" = 1'-0"



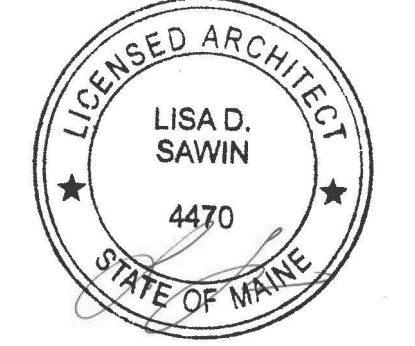
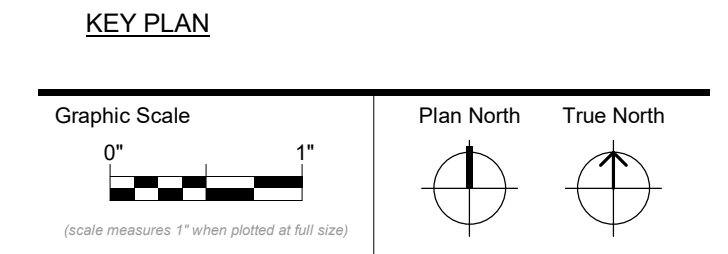
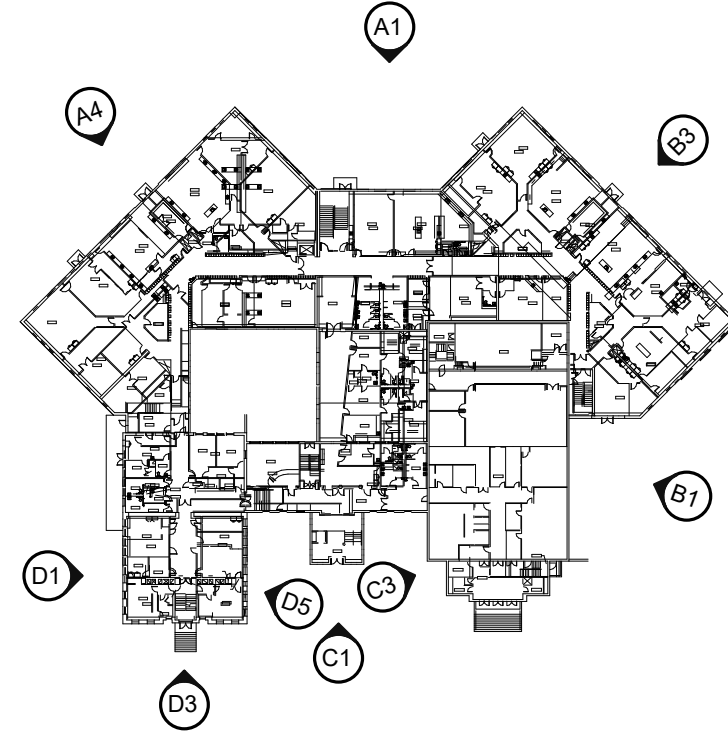
**B3** RIGHT REAR ELEVATION  
SCALE: 1/16" = 1'-0"



**A1** REAR ELEVATION  
SCALE: 1/16" = 1'-0"



**A4** LEFT REAR ELEVATION  
SCALE: 1/16" = 1'-0"



### CONSTRUCTION DOCUMENTS

FEBRUARY 29, 2024

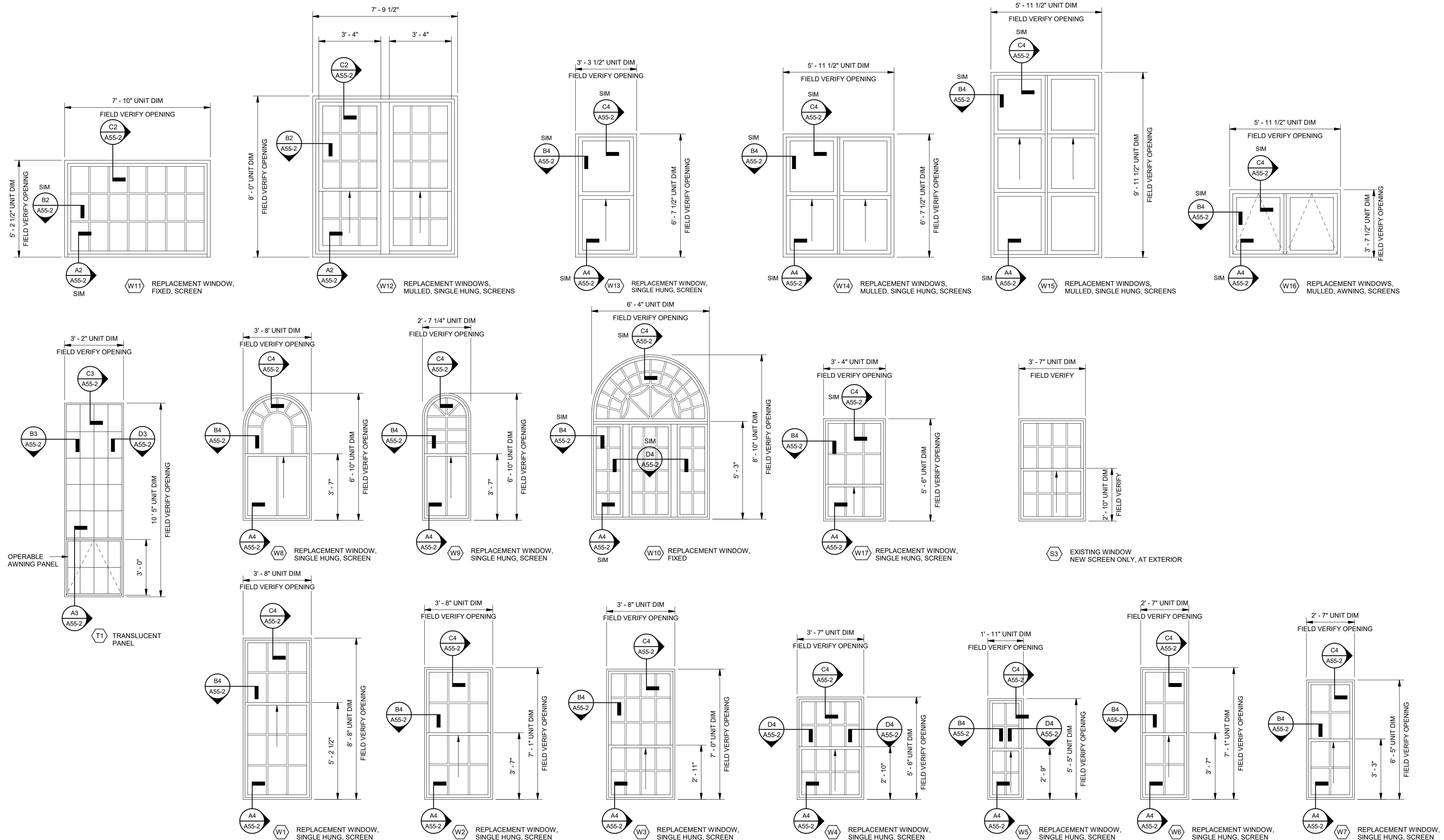
Revision Date	Revision Description

Drawn by: DRE

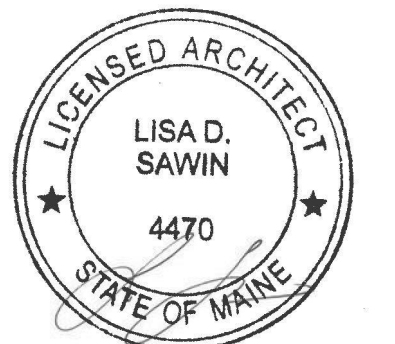
### EXTERIOR ELEVATIONS

1. REMOVE AND DISPOSE OF EXISTING WINDOWS.
2. APPROXIMATE UNIT DIMENSIONS SHOWN; FIELD VERIFY ALL DIMENSIONS.
3. ALL WINDOWS SINGLE-HUNG, UNLESS NOTED OTHERWISE. SCREENS LOWER SASH ONLY.
4. GRILLES TO MATCH EXISTING STYLE.
5. REMOVE AND REINSTALL ROLLING SHADES WHERE THEY OCCUR.
6. GLASS TO BE TEMPERED WHERE WITHIN 18" FROM FLOOR.
7. MATCH EXISTING COLOR OF WINDOWS W13, W14, W15, AND W16. ALL REMAINING WINDOWS TO BE WHITE.
8. COORDINATE WITH MANUFACTURERS ALL REQUIRED ROUGH OPENING DIMENSIONS.

**C4** NOTES  
SCALE: NTS



**A1** WINDOW ELEVATIONS  
SCALE: 3/8" = 1'-0"



**CONSTRUCTION DOCUMENTS**

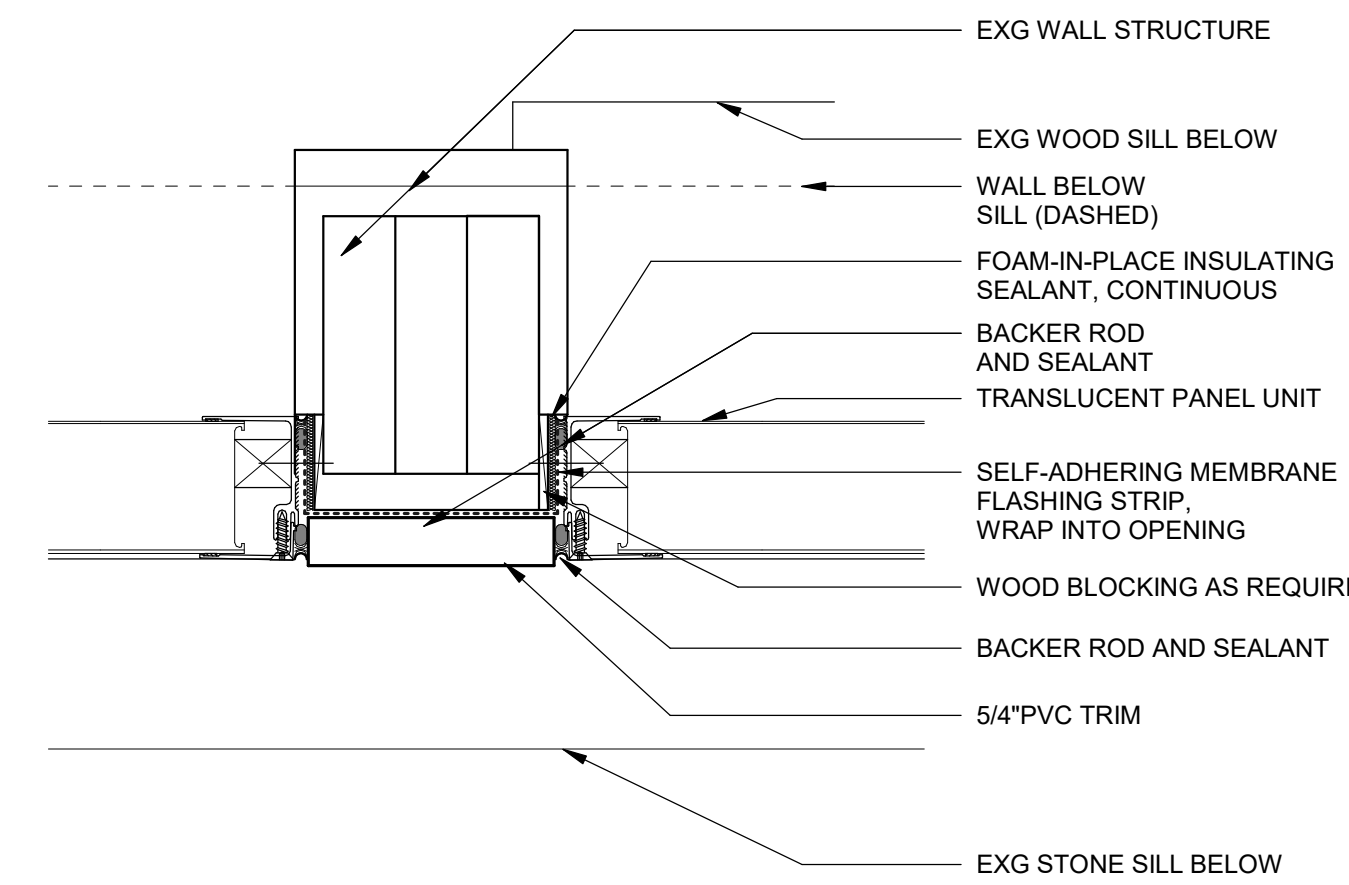
FEBRUARY 29, 2024

Revision Date Revision Description

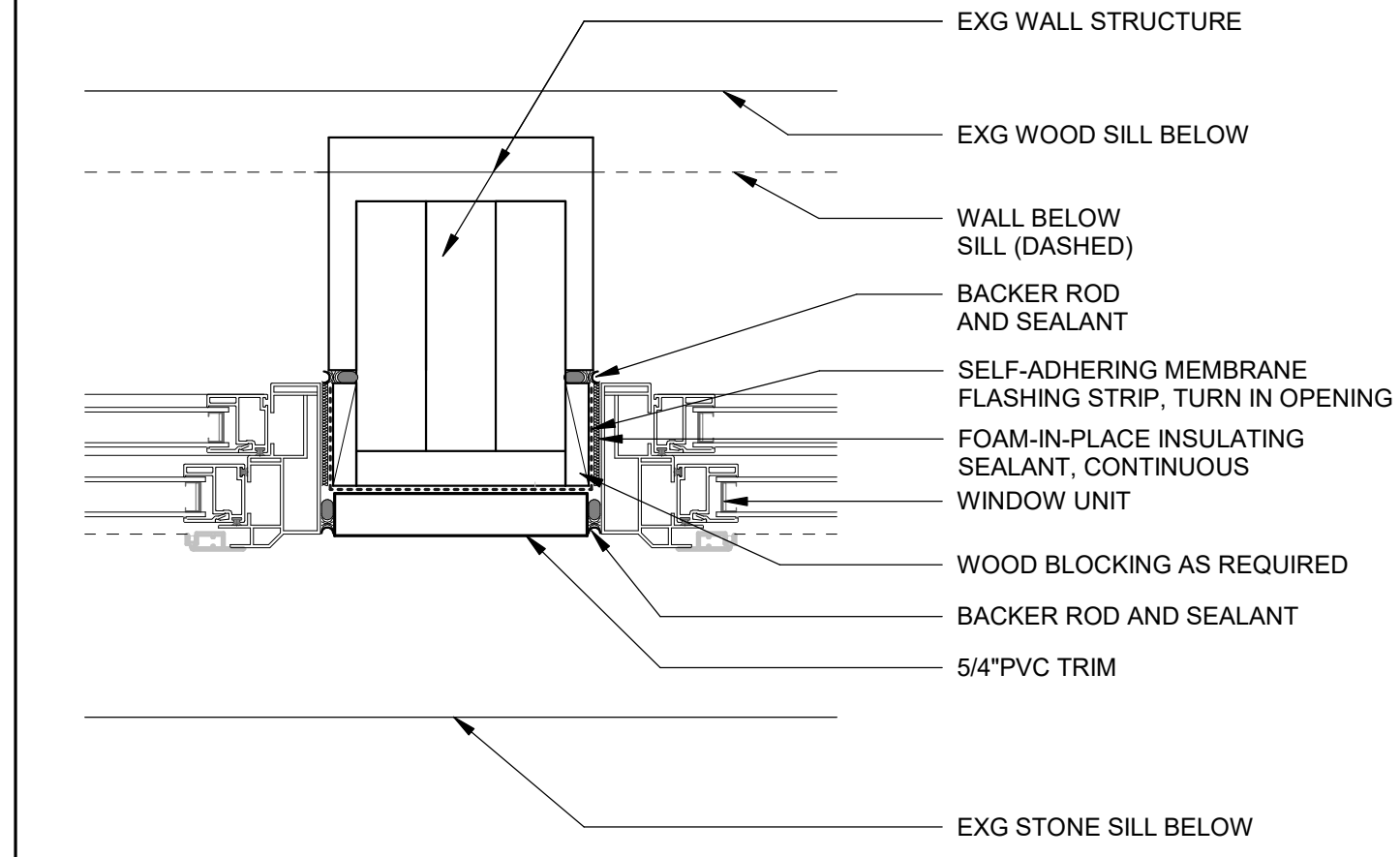
Drawn by: DRE

WINDOW ELEVATIONS

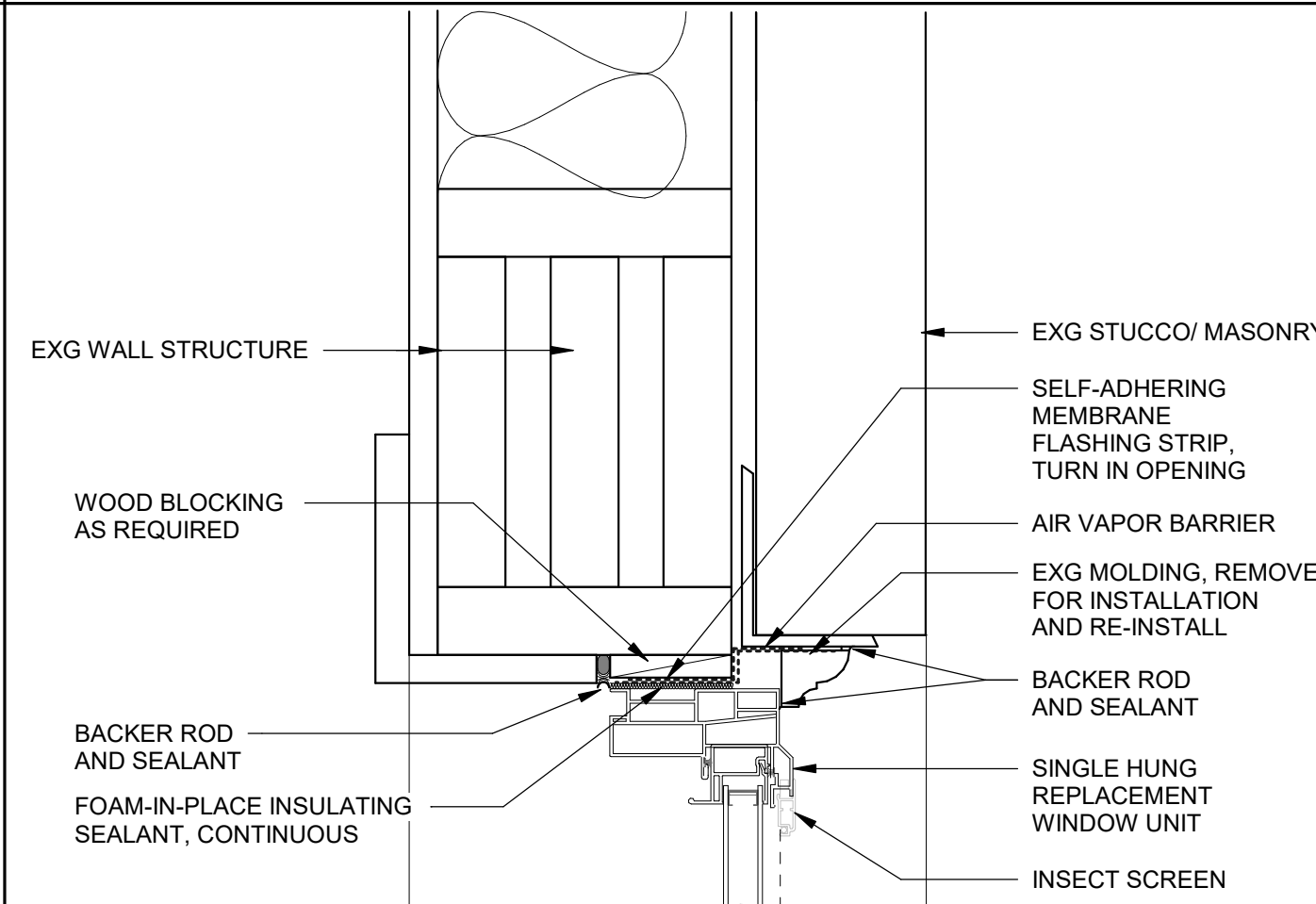
**D3** TRANSLUCENT PANEL JAMB DETAIL AT MULL  
SCALE: 3" = 1'-0"



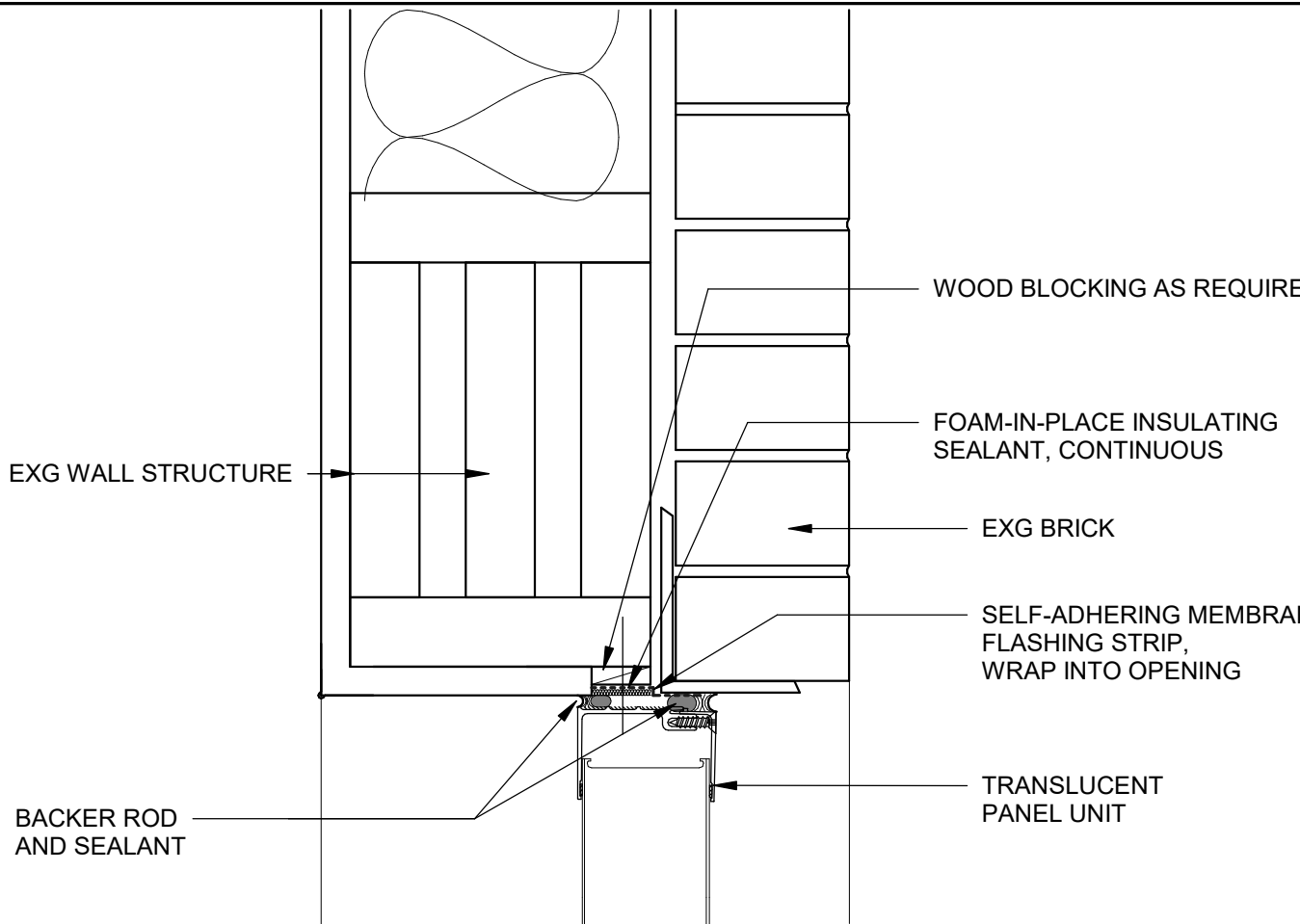
**D4** SINGLE HUNG WINDOW JAMB DETAIL AT MULL  
SCALE: 3" = 1'-0"



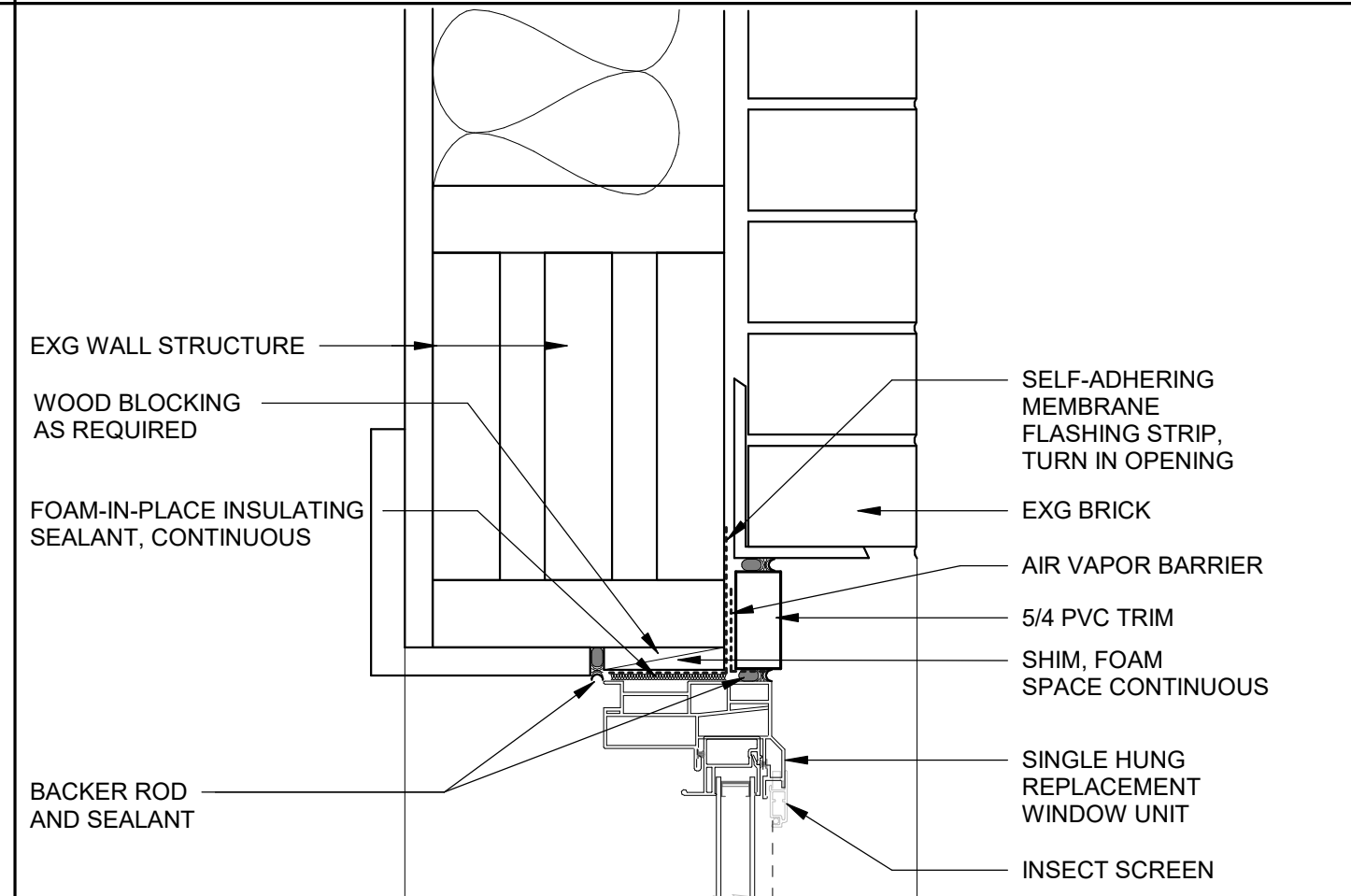
**C2** WINDOW HEAD DETAIL B  
SCALE: 3" = 1'-0"



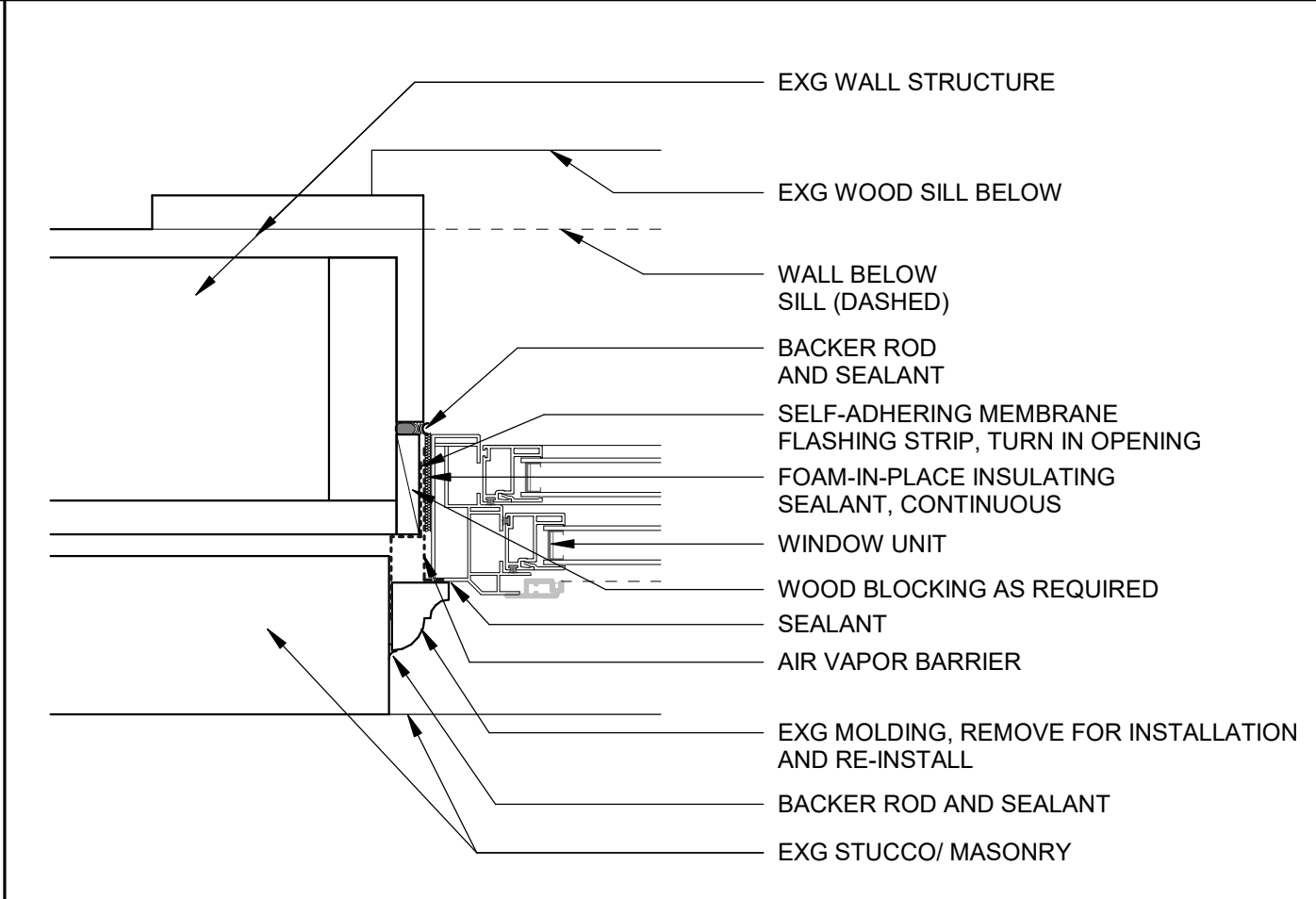
**C3** TRANSLUCENT PANEL HEAD DETAIL  
SCALE: 3" = 1'-0"



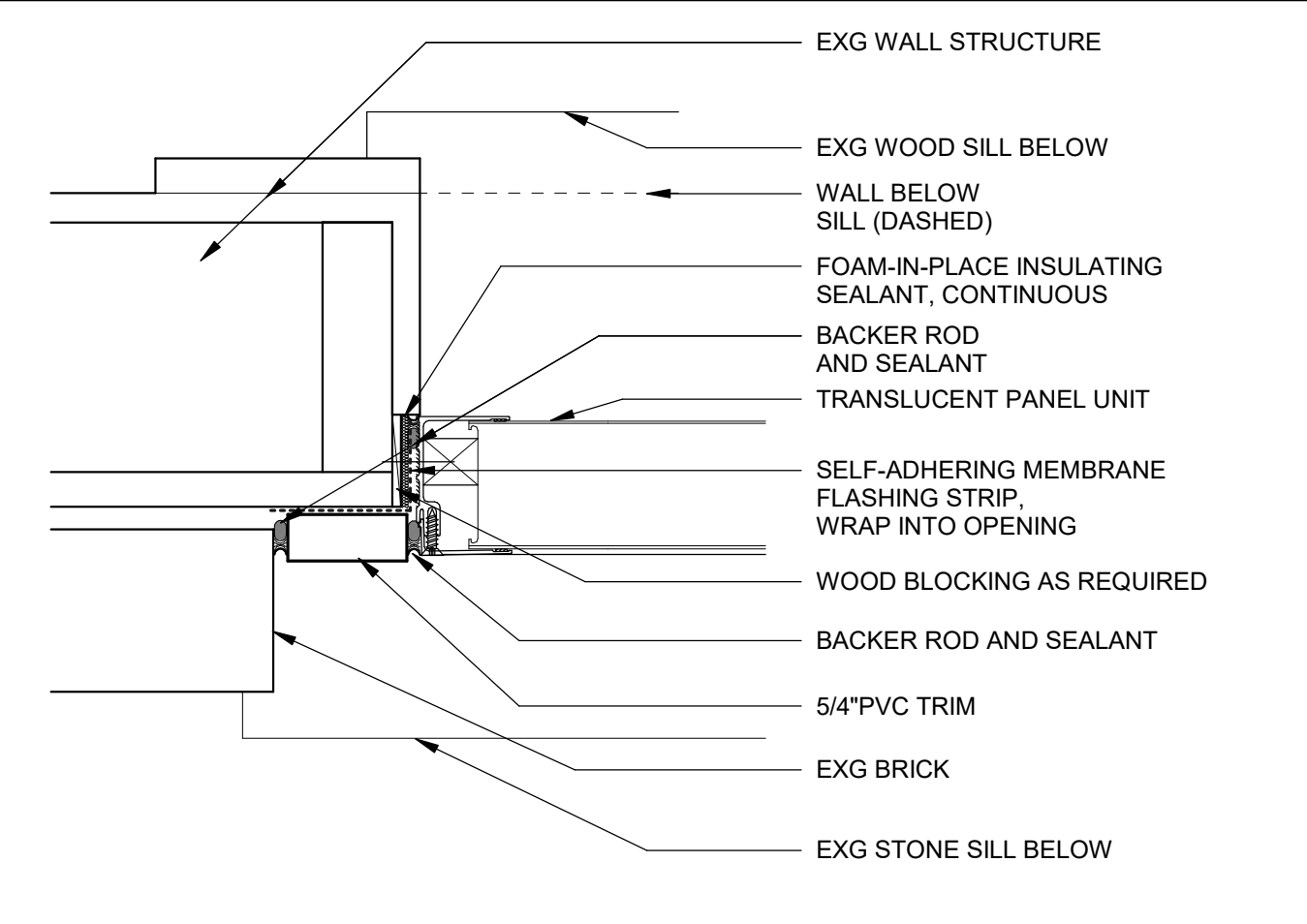
**C4** WINDOW HEAD DETAIL  
SCALE: 3" = 1'-0"



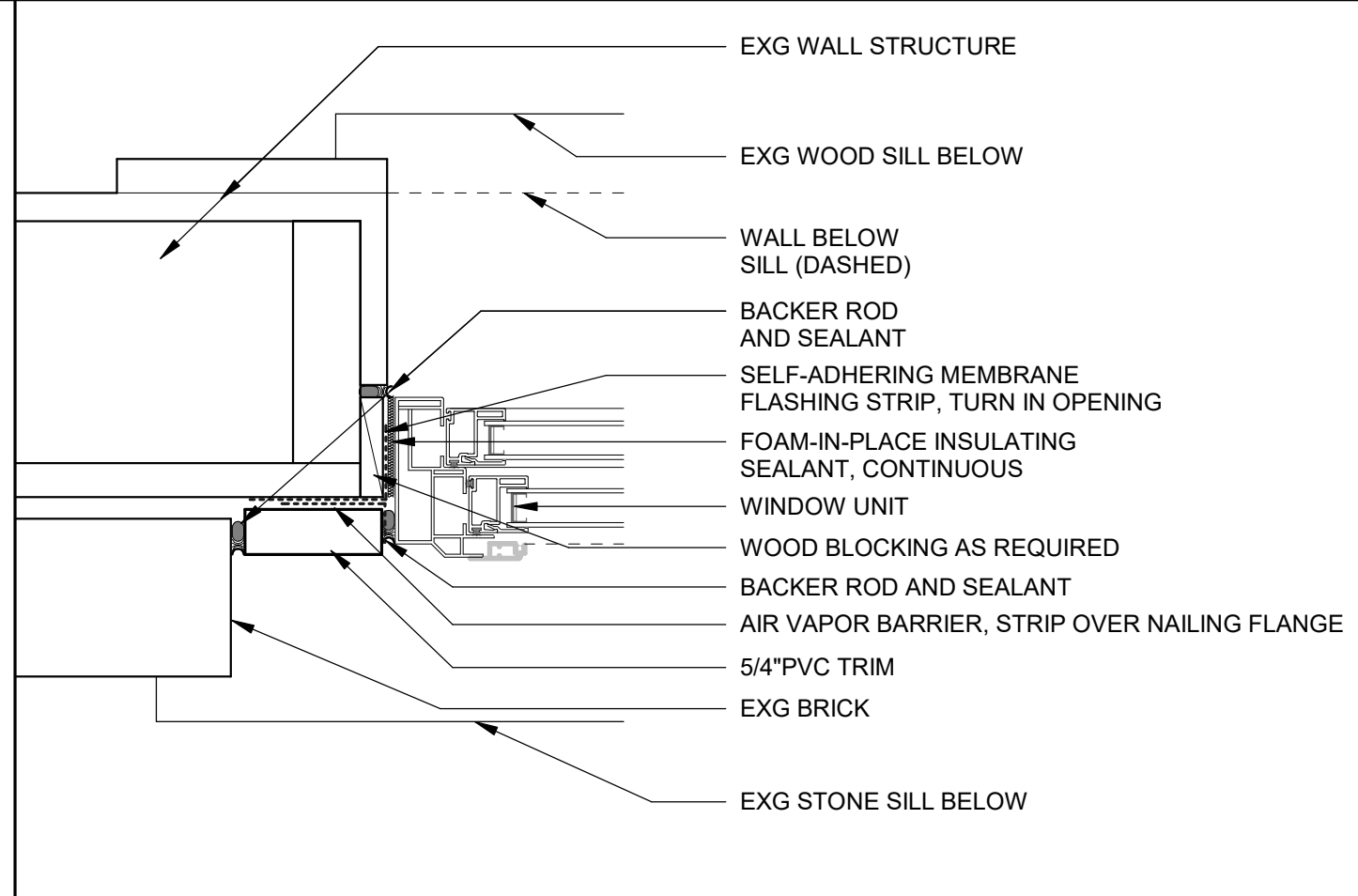
**B2** SINGLE HUNG WINDOW JAMB DETAIL B  
SCALE: 3" = 1'-0"



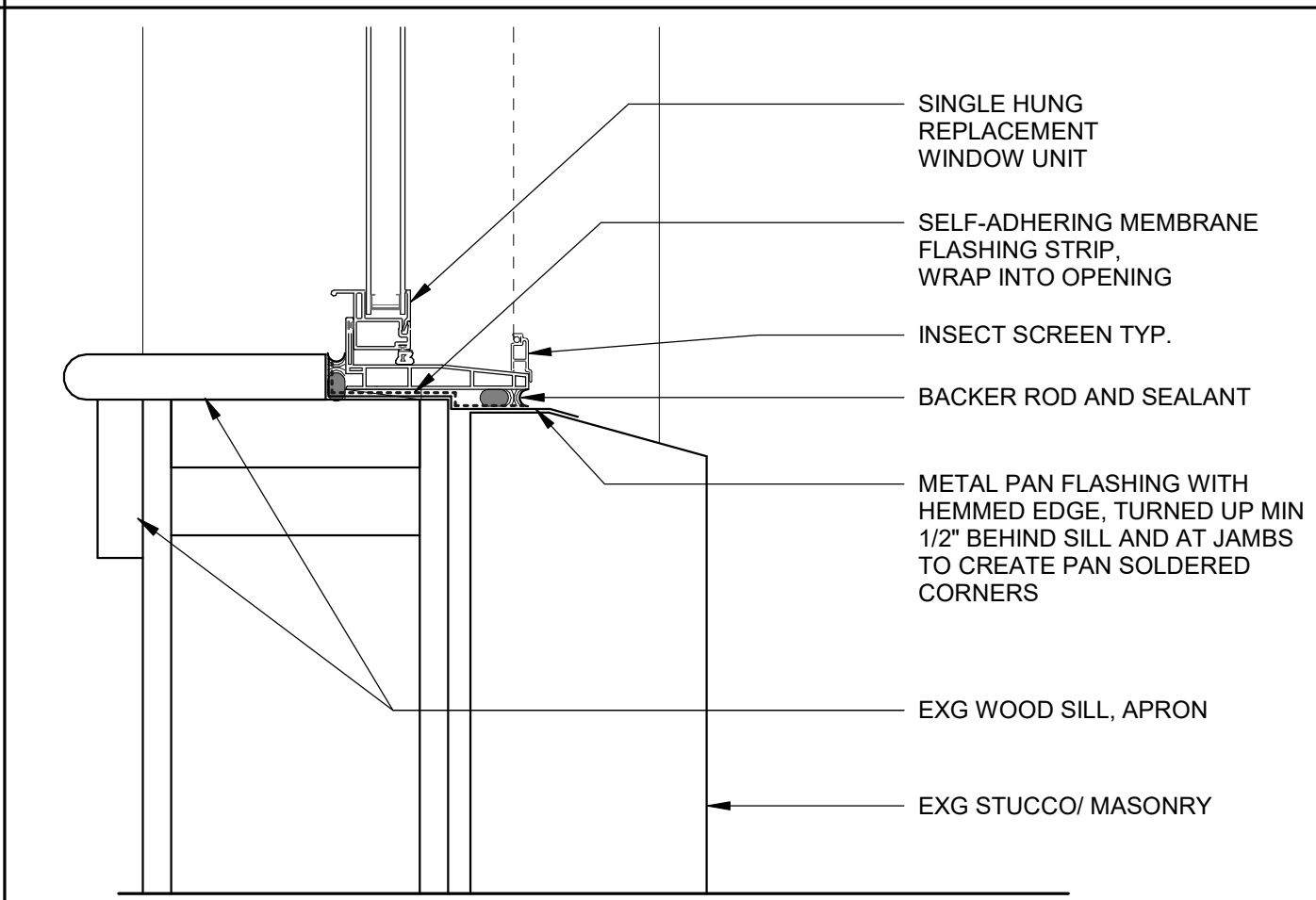
**B3** TRANSLUCENT PANEL JAMB DETAIL  
SCALE: 3" = 1'-0"



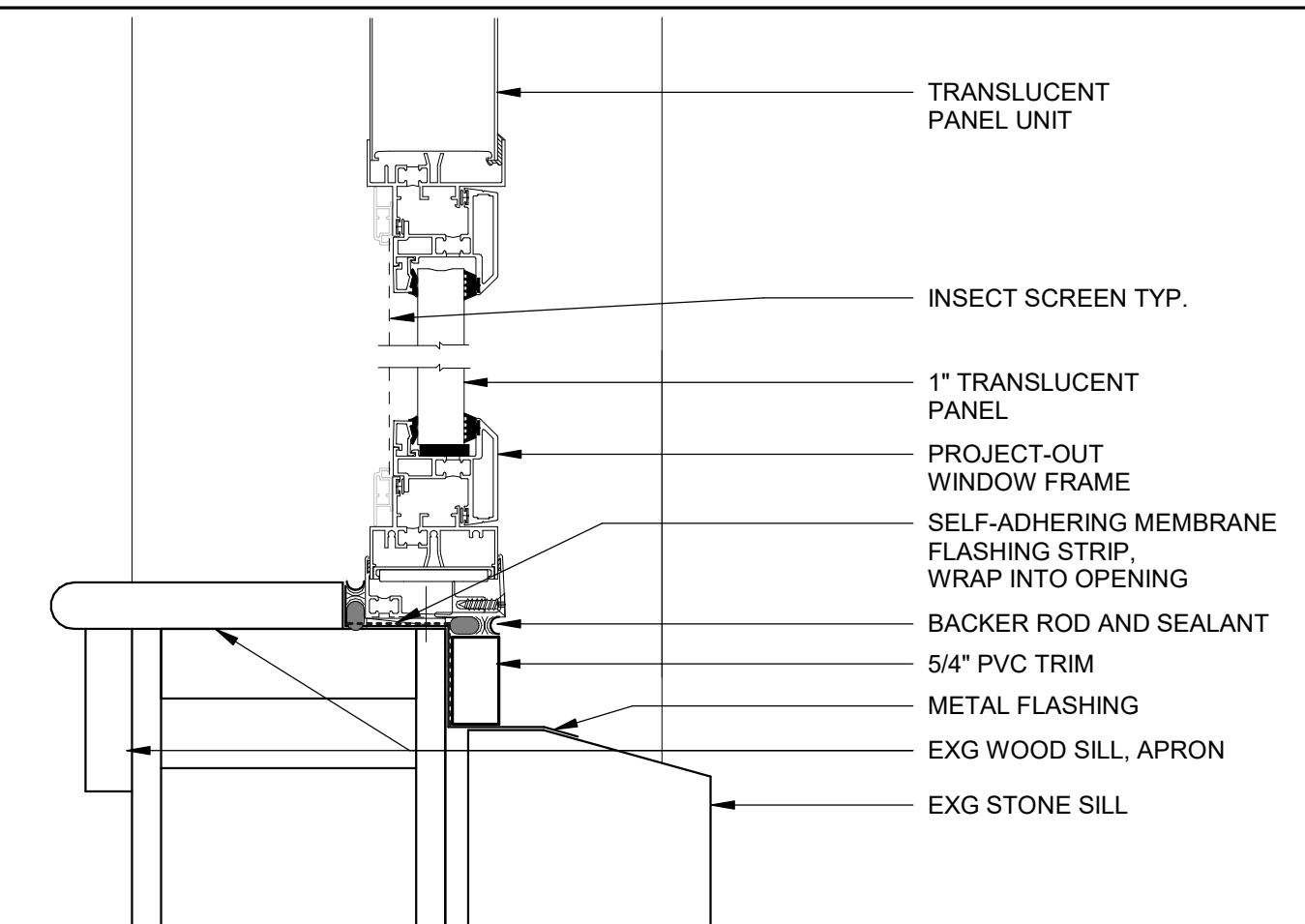
**B4** SINGLE HUNG WINDOW JAMB DETAIL  
SCALE: 3" = 1'-0"



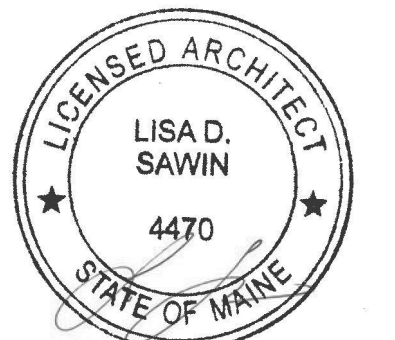
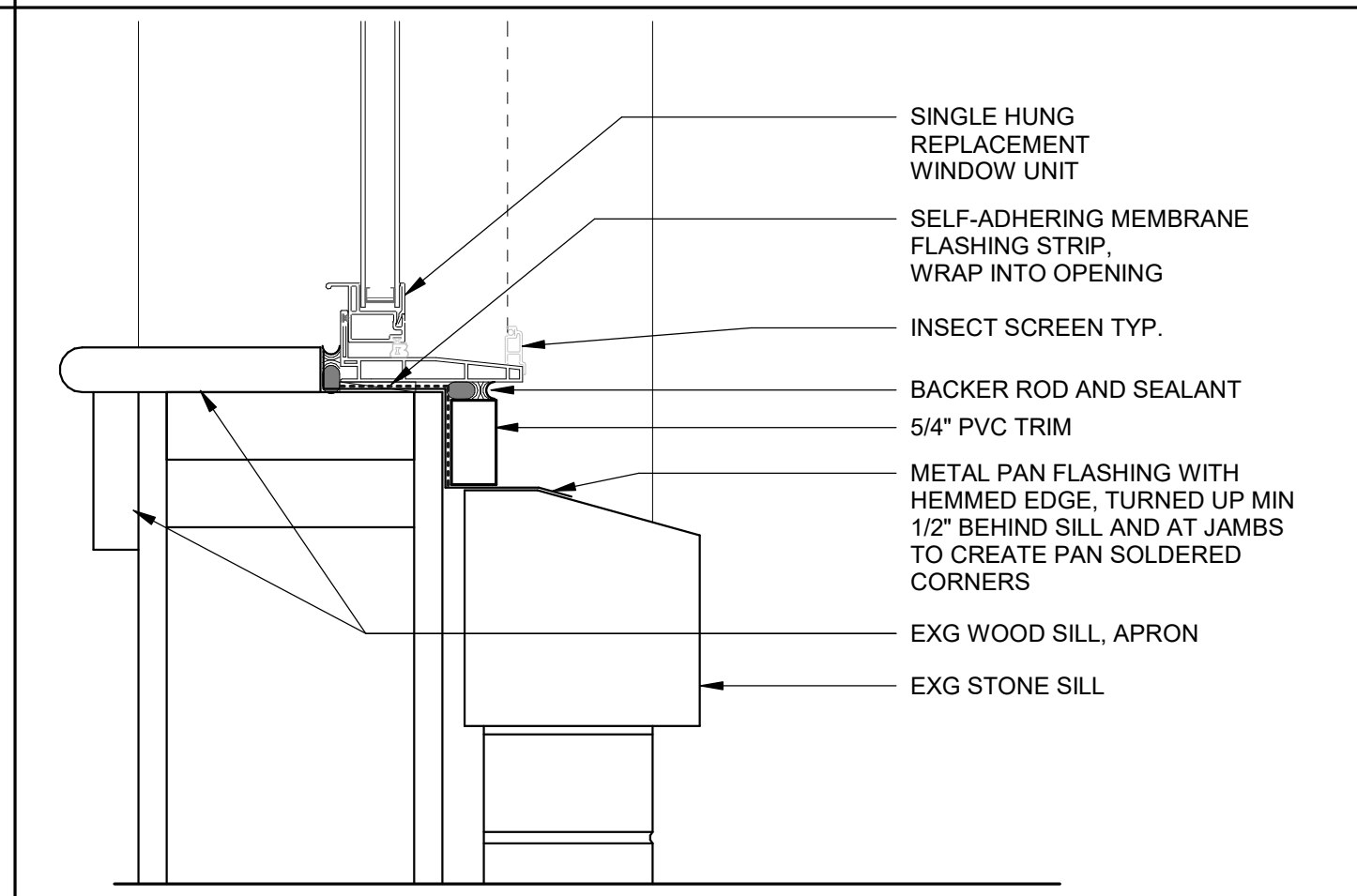
**A2** SINGLE HUNG WINDOW SILL DETAIL B  
SCALE: 3" = 1'-0"



**A3** TRANSLUCENT PANEL SILL DETAIL  
SCALE: 3" = 1'-0"



**A4** SINGLE HUNG WINDOW SILL DETAIL  
SCALE: 3" = 1'-0"



### CONSTRUCTION DOCUMENTS

FEBRUARY 29, 2024

Revision Date	Revision Description

Drawn by: DRE

### WINDOW DETAILS