



VIEW DESCRIPTION

Panoramic view looking west to northwest toward the proposed RoxWind Project on North Twin Mountain from the Swift River in Mexico. All four proposed RoxWind turbines will be visible at distances of 2.2 to 2.4 miles from this viewpoint. Ten turbines from the existing Record Hill Wind Project are visible to the northwest at distances of 3.1 to 4.4 miles.

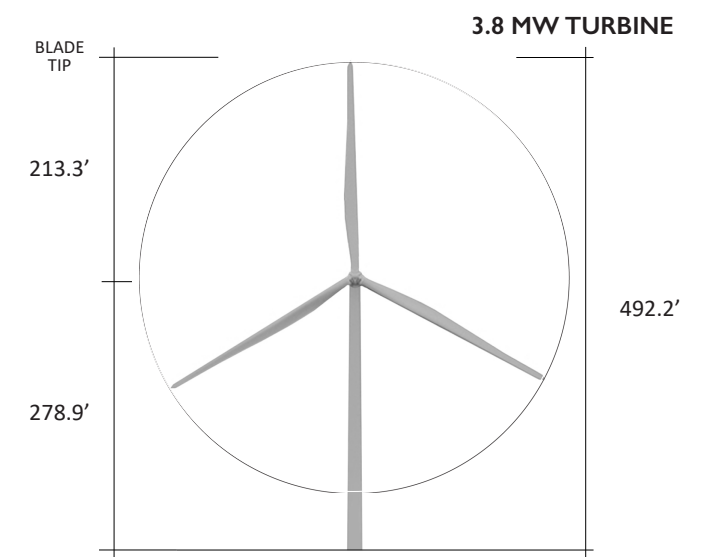
CONTEXT MAP



LOCATION MAP



TURBINES



PHOTOSIMULATION 3 Swift River, Mexico

PHOTOGRAPH

LOCATION	44.609337°, -70.574063°
VIEWING DIRECTION	West to Northwest
DATE AND TIME	06/08/18 at 11:12 pm
CAMERA FOCAL LENGTH	35mm
CAMERA MAKE/MODEL	Nikon D5500
PHOTO SOURCE	Terrence J. DeWan & Associates
VISIBLE TURBINES	4
CLOSEST VISIBLE TURBINE	2.2 miles

RoxWind Project

RoxWind LLC





Photosimulation 3A
Swift River,
Mexico

NORMAL VIEW
EXISTING
CONDITIONS

DESCRIPTION

Normal view looking west toward the proposed RoxWind Project on North Twin Mountain from the Swift River in Mexico. Ten turbines from the existing Record Hill Wind Project are visible to the northwest at distances of 3.1 to 4.4 miles.

VIEW NOTES

When printed on an 11x17" paper, viewer should hold this image approximately 20" from eyes to replicate actual view.

RoxWind Project

RoxWind LLC

tjd&a



Photosimulation 3B
Swift River,
Mexico

NORMAL VIEW
PROPOSED
CONDITIONS

DESCRIPTION

Normal view looking west toward the proposed RoxWind Project on North Twin Mountain from the Swift River in Mexico. All four proposed RoxWind turbines will be visible at distances of 2.2 to 2.4 miles from this viewpoint. Ten turbines from the existing Record Hill Wind Project are visible to the northwest at distances of 3.1 to 4.4 miles.

VIEW NOTES

When printed on an 11x17" paper, viewer should hold this image approximately 20" from eyes to replicate actual view.

RoxWind Project

RoxWind LLC

tjd&a